



TECHNICAL GUIDE

LX SERIES SPLIT SYSTEM HEAT PUMPS

**14 SEER – R-410A – THREE-PHASE
2.5 TON TO 5 NOMINAL TON
MODELS: THE30 TO 60**

FOR INSTALLATION IN ALL US REGIONS AND CANADA



Due to continuous product improvement, specifications are subject to change without notice.

Visit us on the web at

www.simplygettingthejobdone.com and
www.york.com

Additional rating information can be found at
www.ahridirectory.org

WARRANTY SUMMARY*

Standard 1-Year limited parts warranty.

Standard 5-Years limited compressor warranty.

*Does not apply to R-22 models or internet sales.

See Limited Warranty certificate in User's Information Manual for details.

DESCRIPTION

The THE model outdoor units are optimized for the 14 SEER / 8.2 HSPF Minimum Efficiency in all US Regions, and are specifically designed to be matched with YORK indoor coils, furnaces, and air handlers to provide a complete system solution.

FEATURES

- **Easier Installation** - Independent panels provide quick access for unit setup. Installation time is reduced by easy power and control wiring access. The factory installed filter-drier and factory charge for a 15 ft lineset means less time spent brazing and charging the system. The small base dimension and reduced unit clearances make for easier retrofits.
- **Accessible Information** - QR code on unit provides quick access to technical documents and warranty information.
- **Durable Finish** - The coated steel wire fan guard, coated external fasteners, and pre-treated G90-equivalent galvanized steel chassis components resist corrosion and rust creep. Champagne colored powdercoat paint further protects external panels.
- **Rugged Coil Protection** - Coils are protected from mechanical damage by a proven stamped steel coil guard design.
- **Quality Coils** - Enhanced aluminum fins are mechanically bonded to copper tubing.
- **Protected Compressor** - Compressors are protected internally by a high pressure relief valve and a temperature sensor, and externally by the system high and low pressure switches. The liquid line filter-drier is factory installed to protect the compressor against moisture and debris.
- **Reliable Operation** - Ball bearing fan motors provide superior performance in extreme temperatures. Factory installed accumulator ensures proper functioning across a wide range of conditions.
- **Environmentally Friendly** - CFC-free R-410A refrigerant delivers environmentally friendly performance with zero ozone depletion.
- **Top Discharge** - Warm air is blown up, away from the structure and any landscaping and allows compact location on multi-unit applications.
- **Low Operating Sound Levels** - Developed using CFD and FEA tools, the sturdy cabinet and top design provides sound performance of 76 dBA or lower. Compatible accessories for further sound reduction are also available.
- **Better Service Access** - Diagonal base valves with open access for low-loss fittings, single panel access to the electrical controls, full corner access, and removable fan guard allow easy access for unit maintenance.
- **Agency Listed** - Safety certified by CSA to UL 1995 / CSA 22.2. Performance certified to ANSI/AHRI Standard 210/240 in accordance with the Unitary Small Equipment certification program.

LIST OF SECTIONS

DESCRIPTION 1
 FEATURES 1
 NOMENCLATURE 2
 PHYSICAL AND ELECTRICAL DATA 3
 DIMENSIONS 3
 SYSTEM CHARGE FOR VARIOUS MATCHED SYSTEMS - N COIL 4
 System charge for various matched systems - A coil 5
 SYSTEM CAPACITY - Single Piece and Modular Air Handlers .. 6
 SYSTEM CAPACITY - Upflow, Downflow and Horizontal Furnaces
 and Coils (Coil Only Ratings) 14
 SYSTEM CAPACITY - With High Efficiency Motor Furnaces ... 15
 APPLICATION AND ACCESSORIES 89
 SOUND POWER RATINGS - COOLING 89
 MECHANICAL SPECIFICATIONS 90
 TYPICAL INSTALLATION 91
 TYPICAL FIELD WIRING 92
 ALTERNATIVE INSTALLATION CLEARANCES 92
 PERFORMANCE DATA - 2.5 TON 93
 PERFORMANCE DATA - 3 TON 105
 PERFORMANCE DATA - 3.5 TON 118
 PERFORMANCE DATA - 4 TON 128
 PERFORMANCE DATA - 5 TON 134

NOMENCLATURE

BRAND	T	T = Factory Branded
PRODUCT TYPE	H	H = Heat Pump
NOMINAL SERIES EFFICIENCY AND STAGING	E	E = 14 SEER / 1-Stage
NOMINAL UNIT CAPACITY (MBH)	36	30 = 2.5 Ton 48 = 4 Ton 36 = 3 Ton 60 = 5 Ton 42 = 3.5 Ton
REFRIGERANT	B	B = R-410A
VOLTAGE (Voltage-Phase-Hertz)	3	3 = 208/230-3-60 4 = 460-3-60
GENERATION (MAJOR REVISION)	1	1 = 1st Gen 2 = 2nd Gen
FACTORY OPTION	S	S = Standard (No Options)
STYLE LETTER (MINOR REVISION) NOT USED FOR ORDERING	A	A = Style A B = Style B

PHYSICAL AND ELECTRICAL DATA

MODEL		THE30 B31S	THE36 B32S	THE42 B33S	THE48 B31S	THE60 B31S	THE30 B41S	THE36 B42S	THE42 B43S	THE48 B41S	THE60 B41S
Unit supply voltage		208-230V, 3 ϕ , 60Hz					460V, 3 ϕ , 60Hz				
Normal voltage range ¹ (V)		187 to 252					432 to 504				
Minimum circuit ampacity (A)		12.5	15.8	19.7	18.5	21.3	6.0	8.8	9.1	8.7	10.4
Maximum overcurrent device (A) ²		20	25	30	30	35	15	15	15	15	15
Minimum overcurrent device (A) ³		15	20	20	20	25	15	15	15	15	15
Compressor	Type ⁴	Scroll	Scroll	Scroll	Scroll	Scroll	Scroll	Scroll	Scroll	Scroll	Scroll
	Rated load (A)	9.9	10.4	13.5	15.3	17.8	4.7	5.8	6.0	6.9	8.6
	Locked rotor (A)	58.0	73.0	88.0	83.1	110.0	38.0	38.0	44.0	41.0	52.0
Crankcase heater		No	No	No	No	No	No	No	No	No	No
Factory external discharge muffler		Yes	Yes	Yes	Yes	Yes	Yes	Yes	Yes	Yes	Yes
Fan diameter (in.)		24	26	26	26	26	24	26	26	26	26
Fan motor	Type	PSC	ECM	ECM	PSC	PSC	PSC	ECM	ECM	PSC	PSC
	Rated HP	1/4	1/3	1/3	1/4	1/4	1/4	1/3	1/3	1/4	1/4
	Rated load (A)	1.30	2.80	2.80	1.30	1.30	0.65	1.60	1.60	0.60	0.60
	Nominal RPM	850	834	834	850	850	850	834	834	850	850
	Nominal CFM	2995	3715	4000	4100	4100	2995	4000	4000	4100	4100
Coil	Face area (sq ft)	23.82	26.40	26.40	26.40	28.80	23.82	26.40	26.40	26.40	28.80
	Rows deep	1	1	1	2	2	1	1	1	2	2
	Fins per inch	22	22	22	18	18	22	22	22	18	18
Liquid refrigeration piping outdoor (field installed)		3/8	3/8	3/8	3/8	3/8	3/8	3/8	3/8	3/8	
Vapor refrigeration piping outdoor (field installed) ⁵		3/4	3/4	7/8	7/8	1 1/8 [‡]	3/4	3/4	7/8	7/8	1 1/8 [‡]
Unit charge (lb - oz) ⁶		6 - 12	8 - 15	8 - 11	13 - 3	13 - 13	6 - 12	8 - 15	8 - 11	13 - 3	13 - 13
Charge (oz/ft)		0.62	0.62	0.67	0.67	0.75	0.62	0.62	0.67	0.67	0.75
Operating weight (lb)		181	235	235	240	261	181	235	235	240	261

1. Rated in accordance with AHRI Standard 110-2012, utilization range A.

2. Dual element fuses or HACR circuit breaker. Maximum allowable overcurrent protection.

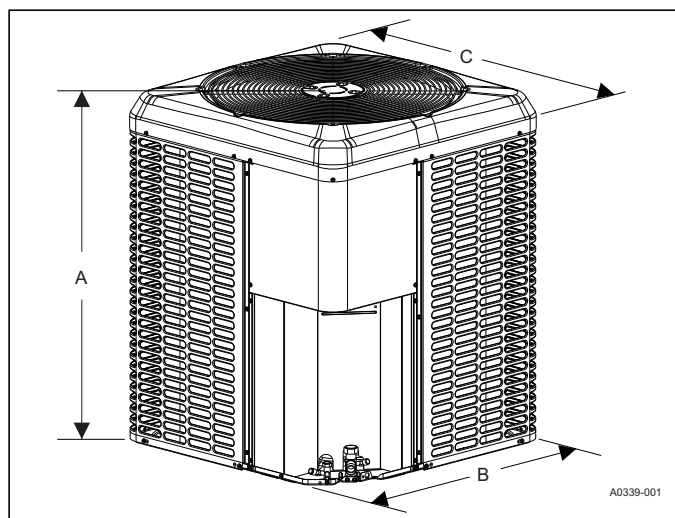
3. Dual element fuses or HACR circuit breaker. Minimum recommended overcurrent protection.

4. Rotary compressor models are limited to an equivalent length of refrigeration piping of 100 ft with no exceptions.

5. For applications with non-standard vapor line sizes, see the *APPLICATIONS AND ACCESSORIES* section.

6. The unit charge is correct for the outdoor unit, smallest matched indoor unit, and 15 ft of refrigerant tubing. For tubing lengths other than 15 ft, add or subtract the amount of refrigerant, using the difference in actual refrigeration piping length (not the equivalent length) multiplied by the per foot value.

‡ The adapter fitting must be field installed for the required 1 1/8 in. refrigeration piping.



DIMENSIONS

Unit model	Dimensions (in.)			Refrigerant connection service valve size	
	A	B	C	Liquid	Vapor
THE30B(3,4)1S	39 1/2	35 1/4	31 3/4	3/8	3/4
THE36B(3,4)2S	39 1/2	38	34 1/4		
THE42B(3,4)3S	39 1/2	38	34 1/4		7/8
THE48B(3,4)1S	39 1/2	38	34 1/4		
THE60B(3,4)1S	42 1/2	38	34 1/4		

‡ The adapter fitting must be field installed for the required 1 1/8 in. refrigeration piping.

Notes:

- All dimensions are in inches and are subject to change without notice.
- The overall height is from the bottom of the base pan to the top of the fan guard.
- The overall length and width include screw heads.

SYSTEM CHARGE FOR VARIOUS MATCHED SYSTEMS - N COIL

Outdoor unit	THE30B(3,4)1S	THE36B(3,4)2S	THE42B(3,4)3S	THE48B(3,4)1S	THE60B(3,4)1S
Required indoor metering device ^{1,2}	BA1 or BB1	BA1	BC1	BC1	BG1 or BC1
Defrost jumper pin setting	2	3	2	4	2
Indoor unit ^{3,4,5}	Additional charge (oz)				
AP30B	20	—	—	—	—
AP36B	20	—	—	—	—
AP36C	—	—	—	—	—
AP37C	—	3	—	—	—
AP42C	—	—	—	—	—
AP48(C,D)	—	—	27	—	—
AP60(C,D)	—	—	—	—	—
AE30B	13	—	—	—	—
AE36(B,C)	20	—	—	—	—
AE42C	23	3	27	—	—
AE48(C,D)	—	3	27	26	—
AE60C	—	—	—	28	—
AE60D	—	—	—	—	5
AVC30B	13	—	—	—	—
AVC36(B,C)	20	—	—	—	—
AVC42C	23	3	27	—	—
AVC48(C,D)	—	3	27	26	—
AVC60C	—	—	—	28	—
AVC60D	—	—	—	—	5
CF/CM/CU30(A,B,C)	13	—	—	—	—
CF/CM/CU36(A,B,C)	20	—	—	—	—
CF/CM/CU42(B,C,D)	23	—	—	—	—
CF/CM/CU48(C,D)	—	3	27	26	—
CF/CM/CU60(C,D)	—	—	—	28	—
CF/CM64D	—	—	—	—	5

Note: Some of the combinations shown in this table require advanced main air circulating fan indoor product. For approved coil only matches, see the *SYSTEM CAPACITY - Upflow, Downflow, and Horizontal Furnaces and Coils (Coil Only Ratings)* table.

1. For applications requiring a TXV, use S1-1TVM*** series kit.
2. Approved orifice(s) are shipped with the outdoor unit.
3. Systems matched with furnaces or air handlers not equipped with blower-off delays may require blower time delay.
4. Do not use CF coils in horizontal applications.
5. Charge adders shown above do not indicate that coils are rated for every application. See the performance data tables for actual performance for specified system matches. Obtain certified system ratings from www.ahridirectory.org.

SYSTEM CHARGE FOR VARIOUS MATCHED SYSTEMS - A COIL

Outdoor unit	THE30B(3,4)1S	THE36B(3,4)2S	THE42B(3,4)3S	THE48B(3,4)1S	THE60B(3,4)1S
Required indoor metering device ^{1,2}	BA1	BC1	BC1	BC1	BC1
Defrost jumper pin setting	2	3	2	4	2
Indoor unit ^{3,4,5}	Additional charge (oz)				
XAF/XAUA24B	—	—	—	—	—
XAFB24B	—	—	—	—	—
XAF/XAUB30C	0	—	—	—	—
XAFA30D	—	0	—	—	—
XAFC30C	0	—	—	—	—
XAF/XAUB36D	—	0	—	—	—
XAFC36D	—	0	—	—	—
XAF/XAUC48F	—	1	2	—	—
XAFD48F	—	1	2	—	—
XAF/XAUD60G	—	—	28	1	—
XAFD60J	—	—	—	—	0
XAH(A,B)24B	—	—	—	—	—
XAH(B,C)30C	5	—	—	—	—
XAH(B,C)36D	—	1	—	—	—
XAH(C,D)48F	—	2	0	—	—
XAHD60G	—	—	5	0	—
XAHD60J	—	—	—	—	4

Note: Some of the combinations shown in this table require advanced main air circulating fan indoor product. For approved coil only matches, see the *SYSTEM CAPACITY - Upflow, Downflow, and Horizontal Furnaces and Coils (Coil Only Ratings)* table.

- For applications that require a TXV, use S1-1TVM*** series kit.
- Use a TXV kit with these indoor units to obtain system performance.
- Systems matched with furnaces or air handlers not equipped with blower-off delays may require blower time delay.
- Do not use XAF or XAU coils in horizontal applications. Do not use XAH coils in upflow or downflow applications.
- Charge adders shown above do not indicate that coils are rated for every application. See the performance data tables for actual performance for specified system matches. Obtain certified system ratings from www.ahridirectory.org.

CHARGING

- Check the factory unit charge listed on the unit nameplate to verify the refrigerant charge for the outdoor unit, the smallest matched indoor unit, and the 15 ft of interconnecting refrigeration piping.
- Verify the indoor metering device and additional charge required for the specific matched indoor unit in the system using the table above.
- Add additional charge for the amount of interconnecting refrigeration piping greater than 15 ft at the rate specified in the *Physical and electrical data* table.
- For installations requiring additional charge, weigh in refrigerant for the specific matching indoor unit and actual refrigeration piping length.
- After weighing in the charge adders for the matched indoor unit and refrigeration piping, verify the system operation against the temperatures and pressures in the charging chart for the outdoor unit. Locate the charging charts on the outdoor unit and also in the *Service Data Application Guide* on www.simplygettingthejobdone.com. Follow the subcool or superheat charging procedure in the *Installation Manual* according to the type of indoor metering device in the system, and allow 10 min after each charge adjustment for the system operation to stabilize. Record the charge adjustment made to match the charging chart.
- Permanently stamp the unit nameplate with the **total system charge** defined as follows: total system charge = base charge (as shipped) + charge adder for matched indoor unit + charge adder for actual refrigeration piping length + charge adjustments to match the charging chart.

SYSTEM CAPACITY - Single Piece and Modular Air Handlers

UNIT MODEL	AIR HANDLER		COIL MODEL ³	RATED CFM	COOLING ¹				HEATING ²					
	MODEL	WIDTH			NET MBH		SEER	EER	NET MBH		HSPF Region IV	HSPF Region V	COP	
					TOTAL	SENS.			47°F OD	17°F OD			47°F OD	17°F OD
THE30B31S	AE30BX21	17.5	—	1000	28.4	21.1	14.00	12.00	28.0	19.2	8.20	7.13	3.36	2.40
THE30B31S	AE36BX21	17.5	—	1000	29.4	21.8	15.50	13.00	29.0	19.5	9.00	7.82	3.96	2.76
THE30B31S	AE36CX21	21.0	—	1000	29.4	22.0	15.75	13.00	29.0	19.4	9.00	7.82	4.00	2.80
THE30B31S	AE42CX21	21.0	—	1000	29.6	22.2	16.00	13.00	28.6	19.4	9.00	7.82	4.06	2.84
THE30B31S	AP30BX21	17.5	—	1000	28.8	21.2	14.00	12.00	29.6	20.0	8.55	7.43	3.74	2.62
THE30B31S	AP36BX21	17.5	—	1000	28.8	21.4	14.00	12.00	29.6	20.0	8.55	7.43	3.76	2.64
THE30B31S	AVC30BX21	17.5	—	1000	28.4	21.1	14.00	12.00	28.0	19.2	8.20	7.13	3.36	2.40
THE30B31S	AVC36BX21	17.5	—	975	29.4	21.8	15.50	13.00	29.0	19.4	9.00	7.82	3.98	2.78
THE30B31S	AVC36CX21	21.0	—	975	29.6	21.8	16.00	13.00	28.8	19.3	9.00	7.82	4.04	2.82
THE30B31S	AVC42CX21	21.0	—	975	29.2	21.8	15.75	13.00	28.6	19.3	9.00	7.82	4.04	2.84
THE30B31S	ME12BN21	17.5	CF/CM36B	1000	29.2	21.8	15.25	12.75	29.0	19.5	9.00	7.82	3.94	2.76
THE30B31S	ME12BN21	17.5	CF42B	975	29.6	22.0	15.50	13.00	28.6	19.1	9.00	7.82	3.96	2.72
THE30B31S	ME12BN21	17.5	XAF/XAUB30C	1050	29.0	23.0	14.50	12.00	29.0	18.5	8.55	6.60	3.64	2.40
THE30B31S	ME12BN21	17.5	XAF/XAUB36D	1025	29.2	22.1	15.00	12.50	28.6	18.6	9.00	7.05	3.76	2.58
THE30B31S	ME12BN21	17.5	XAHB30C	1025	29.0	22.8	15.00	12.50	29.0	18.7	8.55	6.65	3.68	2.48
THE30B31S	ME12BN21	17.5	XAHB36D	1000	29.0	22.6	14.50	12.50	28.2	18.3	9.00	7.30	3.68	2.54
THE30B31S	ME12CN21	21.0	XAFC30C	1200	29.0	24.2	15.00	12.50	29.0	18.6	8.55	6.50	3.78	2.44
THE30B31S	ME12CN21	21.0	XAFC36D	950	29.0	21.6	15.00	12.50	28.4	18.4	9.00	7.20	3.74	2.56
THE30B31S	ME12CN21	21.0	XAHC30C	950	28.4	22.1	15.00	12.50	28.0	18.6	8.55	6.75	3.64	2.48
THE30B31S	ME12CN21	21.0	XAHC36D	925	28.8	21.9	15.00	12.50	28.0	18.1	9.00	7.10	3.64	2.54
THE30B31S	ME14DN21	24.5	CF/CM36D	1000	29.4	22.0	16.00	13.00	29.0	19.3	9.00	7.82	4.02	2.80
THE30B31S	ME14DN21	24.5	CF/CM42D	1000	29.8	22.2	16.00	13.00	28.4	18.9	9.00	7.82	4.04	2.78
THE30B31S	ME16CN21	21.0	CF/CM36C	1000	29.2	21.6	14.75	12.25	29.2	19.7	9.00	7.82	3.86	2.70
THE30B31S	ME16CN21	21.0	CF/CM42C	1000	29.4	21.8	15.00	12.50	28.8	19.2	9.00	7.82	3.88	2.68
THE30B31S	ME16CN21	21.0	XAFC30C	1075	29.0	23.1	15.00	12.50	29.0	18.5	8.55	6.80	3.68	2.40
THE30B31S	ME16CN21	21.0	XAFC36D	1050	29.4	22.4	15.00	12.50	28.6	18.6	9.00	7.15	3.80	2.60
THE30B31S	ME16CN21	21.0	XAHC30C	1050	29.0	23.0	15.00	12.50	29.0	18.6	8.55	6.60	3.72	2.48
THE30B31S	ME16CN21	21.0	XAHC36D	1025	29.2	23.0	15.00	12.50	28.2	18.3	9.00	7.15	3.72	2.56
THE30B31S	MVC12BN21	17.5	XAF/XAUB30C	1075	29.0	23.1	15.00	12.50	29.0	18.5	8.55	6.80	3.66	2.40
THE30B31S	MVC12BN21	17.5	XAF/XAUB36D	975	29.0	21.7	15.00	12.50	28.4	18.4	9.00	7.10	3.74	2.58
THE30B31S	MVC12BN21	17.5	XAHB30C	975	28.4	22.3	15.00	12.50	28.0	18.6	8.55	6.65	3.66	2.48
THE30B31S	MVC12BN21	17.5	XAHB36D	975	29.0	22.4	14.50	12.50	28.0	18.2	9.00	7.30	3.68	2.54
THE30B31S	MVC12CN21	21.0	XAFC30C	1050	29.0	23.0	15.00	12.50	28.0	18.4	8.55	6.70	3.68	2.42
THE30B31S	MVC12CN21	21.0	XAFC36D	1000	29.2	22.0	15.00	12.50	28.4	18.4	9.00	7.15	3.80	2.62
THE30B31S	MVC12CN21	21.0	XAHC30C	1025	29.0	22.8	15.00	12.50	28.0	18.5	9.00	7.15	3.74	2.50
THE30B31S	MVC12CN21	21.0	XAHC36D	1000	29.2	22.8	15.00	12.50	28.0	18.1	9.00	7.10	3.74	2.58

SYSTEM CAPACITY - Single Piece and Modular Air Handlers

UNIT MODEL	AIR HANDLER		COIL MODEL ³	RATED CFM	COOLING ¹				HEATING ²					
	MODEL	WIDTH			NET MBH		SEER	EER	NET MBH		HSPF Region IV	HSPF Region V	COP	
					TOTAL	SENS.			47°F OD	17°F OD			47°F OD	17°F OD
THE30B31S	MVC16CN21	21.0	XAFC30C	1025	29.0	22.8	15.00	12.50	28.0	18.4	8.55	6.80	3.66	2.40
THE30B31S	MVC16CN21	21.0	XAFC36D	1025	29.4	22.3	15.00	12.50	28.4	18.5	9.00	7.20	3.82	2.62
THE30B31S	MVC16CN21	21.0	XAHC30C	1175	29.0	24.4	15.00	12.50	29.0	18.5	9.00	6.90	3.88	2.54
THE30B31S	MVC16CN21	21.0	XAHC36D	1025	29.2	23.0	15.00	12.50	28.2	18.2	9.00	7.10	3.76	2.58
THE30B41S	AE30BX21	17.5	—	1000	28.4	21.1	14.00	12.00	28.0	19.2	8.20	7.13	3.36	2.40
THE30B41S	AE36BX21	17.5	—	1000	29.4	21.8	15.50	13.00	29.0	19.5	9.00	7.82	3.96	2.76
THE30B41S	AE36CX21	21.0	—	1000	29.4	22.0	15.75	13.00	29.0	19.4	9.00	7.82	4.00	2.80
THE30B41S	AE42CX21	21.0	—	1000	29.6	22.2	16.00	13.00	28.6	19.4	9.00	7.82	4.06	2.84
THE30B41S	AP30BX21	17.5	—	1000	28.8	21.2	14.00	12.00	29.6	20.0	8.55	7.43	3.74	2.62
THE30B41S	AP36BX21	17.5	—	1000	28.8	21.4	14.00	12.00	29.6	20.0	8.55	7.43	3.76	2.64
THE30B41S	AVC30BX21	17.5	—	1000	28.4	21.1	14.00	12.00	28.0	19.2	8.20	7.13	3.36	2.40
THE30B41S	AVC36BX21	17.5	—	975	29.4	21.8	15.50	13.00	29.0	19.4	9.00	7.82	3.98	2.78
THE30B41S	AVC36CX21	21.0	—	975	29.6	21.8	16.00	13.00	28.8	19.3	9.00	7.82	4.04	2.82
THE30B41S	AVC42CX21	21.0	—	975	29.2	21.8	15.75	13.00	28.6	19.3	9.00	7.82	4.04	2.84
THE30B41S	ME12BN21	17.5	CF/CM36B	1000	29.2	21.8	15.25	12.75	29.0	19.5	9.00	7.82	3.94	2.76
THE30B41S	ME12BN21	17.5	CF42B	975	29.6	22.0	15.50	13.00	28.6	19.1	9.00	7.82	3.96	2.72
THE30B41S	ME14DN21	24.5	CF/CM36D	1000	29.4	22.0	16.00	13.00	29.0	19.3	9.00	7.82	4.02	2.80
THE30B41S	ME14DN21	24.5	CF/CM42D	1000	29.8	22.2	16.00	13.00	28.4	18.9	9.00	7.82	4.04	2.78
THE30B41S	ME16CN21	21.0	CF/CM36C	1000	29.2	21.6	14.75	12.25	29.2	19.7	9.00	7.82	3.86	2.70
THE30B41S	ME16CN21	21.0	CF/CM42C	1000	29.4	21.8	15.00	12.50	28.8	19.2	9.00	7.82	3.88	2.68
THE36B32S	AE42CX21	21.0	—	1000	36.0	25.8	15.75	13.00	34.8	22.4	8.75	7.95	3.64	2.58
THE36B32S	AE48CX21	21.0	—	1250	36.0	28.2	15.75	13.00	35.0	22.6	9.00	8.10	3.80	2.62
THE36B32S	AE48DX21	24.5	—	1100	36.0	26.6	15.75	13.00	34.8	22.4	9.00	8.05	3.76	2.62
THE36B32S	AP37CX21	21.0	—	1200	37.4	26.2	14.55	12.35	35.8	23.4	8.95	7.75	3.54	2.46
THE36B32S	AP48DX21	24.5	—	1350	36.0	29.2	14.00	11.75	36.0	23.6	8.50	7.75	3.56	2.46
THE36B32S	AVC42CX21	21.0	—	1150	36.0	27.2	15.75	13.00	35.0	22.6	9.00	8.00	3.70	2.58
THE36B32S	AVC48CX21	21.0	—	1275	36.0	28.4	15.75	13.00	35.0	22.6	9.00	8.05	3.76	2.60
THE36B32S	AVC48DX21	24.5	—	1025	36.0	25.8	15.75	13.00	34.8	22.4	9.00	7.95	3.66	2.58
THE36B32S	ME12BN21	17.5	XAF/XAUB36D	1200	35.4	26.2	14.50	12.50	35.6	23.4	8.55	7.00	3.54	2.40
THE36B32S	ME12BN21	17.5	XAHB36D	1275	35.6	27.3	14.00	12.00	35.6	23.0	8.20	6.65	3.44	2.34
THE36B32S	ME12CN21	21.0	CF/CM48C	1000	36.0	25.6	15.75	12.75	34.8	22.6	8.75	7.50	3.62	2.58
THE36B32S	ME12CN21	21.0	XAF/XAUC48F	1200	35.6	27.3	15.00	12.50	35.6	23.2	9.00	7.35	3.74	2.56
THE36B32S	ME12CN21	21.0	XAFC36D	1250	35.6	26.8	15.00	12.50	35.6	23.4	8.55	6.85	3.60	2.42
THE36B32S	ME12CN21	21.0	XAHC36D	1250	35.6	27.2	14.50	12.50	35.0	22.8	8.20	6.55	3.48	2.36
THE36B32S	ME12CN21	21.0	XAHC48F	1250	35.4	26.8	14.50	12.00	34.6	23.0	9.00	7.45	3.68	2.58
THE36B32S	ME14DN21	24.5	CF/CM48D	1025	36.0	25.8	15.75	13.00	34.8	22.4	9.00	7.95	3.66	2.58

SYSTEM CAPACITY - Single Piece and Modular Air Handlers

UNIT MODEL	AIR HANDLER		COIL MODEL ³	RATED CFM	COOLING ¹				HEATING ²					
	MODEL	WIDTH			NET MBH		SEER	EER	NET MBH		HSPF Region IV	HSPF Region V	COP	
					TOTAL	SENS.			47°F OD	17°F OD			47°F OD	17°F OD
THE36B32S	ME14DN21	24.5	XAFD48F	1175	35.6	27.1	15.00	12.50	35.6	23.0	9.00	7.35	3.76	2.56
THE36B32S	ME14DN21	24.5	XAHD48F	1175	35.2	26.1	15.00	12.50	34.2	22.8	9.00	7.40	3.68	2.62
THE36B32S	ME16CN21	21.0	CF/CM48C	1100	36.0	26.6	15.75	13.00	35.0	22.6	9.00	8.00	3.70	2.58
THE36B32S	ME16CN21	21.0	XAF/XAUC48F	1300	35.6	28.1	15.00	12.50	35.6	23.4	9.00	7.30	3.78	2.56
THE36B32S	ME16CN21	21.0	XAFC36D	1300	35.6	27.2	15.00	12.50	35.6	23.4	8.55	6.75	3.64	2.42
THE36B32S	ME16CN21	21.0	XAHC36D	1275	35.6	27.5	14.50	12.00	35.0	22.8	8.20	6.55	3.48	2.36
THE36B32S	ME16CN21	21.0	XAHC48F	1050	34.8	24.7	14.50	12.50	34.0	22.8	8.55	6.95	3.58	2.60
THE36B32S	ME20DN21	24.5	CF/CM48D	1275	36.0	28.4	15.75	13.00	34.8	22.4	9.25	8.10	3.82	2.64
THE36B32S	ME20DN21	24.5	XAFD48F	1225	35.6	27.6	15.00	12.50	35.6	23.0	9.00	7.20	3.80	2.60
THE36B32S	ME20DN21	24.5	XAHD48F	1225	35.6	26.8	15.00	12.50	34.2	22.6	9.00	7.25	3.74	2.64
THE36B32S	MVC12BN21	17.5	XAF/XAUB36D	1125	35.2	25.7	15.00	12.50	35.6	23.2	8.55	7.05	3.52	2.40
THE36B32S	MVC12BN21	17.5	XAHB36D	1175	35.2	26.3	14.00	12.00	35.0	22.8	8.20	6.75	3.38	2.34
THE36B32S	MVC12CN21	21.0	CF/CM48C	1000	36.0	25.8	15.75	13.00	34.8	22.4	9.00	7.95	3.64	2.58
THE36B32S	MVC12CN21	21.0	XAF/XAUC48F	1200	35.6	27.3	15.00	12.50	35.6	23.0	9.00	7.20	3.78	2.58
THE36B32S	MVC12CN21	21.0	XAFC36D	1225	35.6	26.7	15.00	12.50	35.6	23.2	8.55	6.80	3.64	2.44
THE36B32S	MVC12CN21	21.0	XAHC36D	1400	35.6	28.8	14.50	12.50	35.6	23.0	8.55	6.80	3.62	2.40
THE36B32S	MVC12CN21	21.0	XAHC48F	1075	34.8	25.1	15.00	12.50	34.0	22.8	9.00	7.50	3.62	2.62
THE36B32S	MVC14DN21	24.5	CF/CM48D	1000	36.0	25.8	15.75	13.00	34.8	22.4	9.00	8.00	3.66	2.60
THE36B32S	MVC14DN21	24.5	XAFD48F	1200	35.6	27.3	15.00	12.50	35.0	22.8	9.00	7.15	3.80	2.60
THE36B32S	MVC14DN21	24.5	XAHD48F	1200	35.4	26.5	15.00	12.50	34.0	22.6	9.00	7.25	3.74	2.64
THE36B32S	MVC16CN21	21.0	CF/CM48C	1025	36.0	25.8	15.75	13.00	34.8	22.4	9.00	7.95	3.66	2.58
THE36B32S	MVC16CN21	21.0	XAF/XAUC48F	1275	35.6	28.2	15.00	12.50	35.6	23.0	9.00	7.15	3.82	2.60
THE36B32S	MVC16CN21	21.0	XAFC36D	1175	35.6	26.3	15.00	12.50	35.6	23.2	8.55	6.85	3.60	2.44
THE36B32S	MVC16CN21	21.0	XAHC36D	1275	35.6	27.7	15.00	12.50	35.0	22.6	8.55	7.05	3.54	2.40
THE36B32S	MVC16CN21	21.0	XAHC48F	1175	35.2	26.1	15.00	12.50	34.2	22.8	9.00	7.40	3.68	2.62
THE36B32S	MVC20DN21	24.5	CF/CM48D	1175	36.0	27.4	15.75	13.00	34.8	22.4	9.00	8.10	3.78	2.62
THE36B32S	MVC20DN21	24.5	XAFD48F	1375	35.6	29.3	15.00	12.50	35.6	23.0	9.00	7.10	3.92	2.64
THE36B32S	MVC20DN21	24.5	XAHD48F	1400	35.6	28.5	15.00	12.50	34.6	22.6	9.00	7.25	3.88	2.66
THE36B42S	AE42CX21	21.0	—	1000	36.0	25.8	15.75	13.00	34.8	22.4	8.75	7.95	3.64	2.58
THE36B42S	AE48CX21	21.0	—	1250	36.0	28.2	15.75	13.00	35.0	22.6	9.00	8.10	3.80	2.62
THE36B42S	AE48DX21	24.5	—	1100	36.0	26.6	15.75	13.00	34.8	22.4	9.00	8.05	3.76	2.62
THE36B42S	AP37CX21	21.0	—	1200	37.4	26.2	14.55	12.35	35.8	23.4	8.95	7.75	3.54	2.46
THE36B42S	AP48DX21	24.5	—	1350	36.0	29.2	14.00	11.75	36.0	23.6	8.50	7.75	3.56	2.46
THE36B42S	AVC42CX21	21.0	—	1150	36.0	27.2	15.75	13.00	35.0	22.6	9.00	8.00	3.70	2.58
THE36B42S	AVC48CX21	21.0	—	1275	36.0	28.4	15.75	13.00	35.0	22.6	9.00	8.05	3.76	2.60
THE36B42S	AVC48DX21	24.5	—	1025	36.0	25.8	15.75	13.00	34.8	22.4	9.00	7.95	3.66	2.58
THE36B42S	ME12BN21	17.5	XAF/XAUB36D	1200	35.4	26.2	14.50	12.50	35.6	23.4	8.55	7.00	3.54	2.40

SYSTEM CAPACITY - Single Piece and Modular Air Handlers

UNIT MODEL	AIR HANDLER		COIL MODEL ³	RATED CFM	COOLING ¹				HEATING ²					
	MODEL	WIDTH			NET MBH		SEER	EER	NET MBH		HSPF Region IV	HSPF Region V	COP	
					TOTAL	SENS.			47°F OD	17°F OD			47°F OD	17°F OD
THE36B42S	ME12BN21	17.5	XAHB36D	1275	35.6	27.3	14.00	12.00	35.6	23.0	8.20	6.65	3.44	2.34
THE36B42S	ME12CN21	21.0	CF/CM48C	1000	36.0	25.6	15.75	12.75	34.8	22.6	8.75	7.50	3.62	2.58
THE36B42S	ME12CN21	21.0	XAF/XAUC48F	1200	35.6	27.3	15.00	12.50	35.6	23.2	9.00	7.35	3.74	2.56
THE36B42S	ME12CN21	21.0	XAFC36D	1250	35.6	26.8	15.00	12.50	35.6	23.4	8.55	6.85	3.60	2.42
THE36B42S	ME12CN21	21.0	XAHC36D	1250	35.6	27.2	14.50	12.50	35.0	22.8	8.20	6.55	3.48	2.36
THE36B42S	ME12CN21	21.0	XAHC48F	1250	35.4	26.8	14.50	12.00	34.6	23.0	9.00	7.45	3.68	2.58
THE36B42S	ME14DN21	24.5	CF/CM48D	1025	36.0	25.8	15.75	13.00	34.8	22.4	9.00	7.95	3.66	2.58
THE36B42S	ME14DN21	24.5	XAFD48F	1175	35.6	27.1	15.00	12.50	35.6	23.0	9.00	7.35	3.76	2.56
THE36B42S	ME14DN21	24.5	XAHD48F	1175	35.2	26.1	15.00	12.50	34.2	22.8	9.00	7.40	3.68	2.62
THE36B42S	ME16CN21	21.0	CF/CM48C	1100	36.0	26.6	15.75	13.00	35.0	22.6	9.00	8.00	3.70	2.58
THE36B42S	ME16CN21	21.0	XAF/XAUC48F	1300	35.6	28.1	15.00	12.50	35.6	23.4	9.00	7.30	3.78	2.56
THE36B42S	ME16CN21	21.0	XAFC36D	1300	35.6	27.2	15.00	12.50	35.6	23.4	8.55	6.75	3.64	2.42
THE36B42S	ME16CN21	21.0	XAHC36D	1275	35.6	27.5	14.50	12.00	35.0	22.8	8.20	6.55	3.48	2.36
THE36B42S	ME16CN21	21.0	XAHC48F	1050	34.8	24.7	14.50	12.50	34.0	22.8	8.55	6.95	3.58	2.60
THE36B42S	ME20DN21	24.5	CF/CM48D	1275	36.0	28.4	15.75	13.00	34.8	22.4	9.25	8.10	3.82	2.64
THE36B42S	ME20DN21	24.5	XAFD48F	1225	35.6	27.6	15.00	12.50	35.6	23.0	9.00	7.20	3.80	2.60
THE36B42S	ME20DN21	24.5	XAHD48F	1225	35.6	26.8	15.00	12.50	34.2	22.6	9.00	7.25	3.74	2.64
THE36B42S	MVC12BN21	17.5	XAF/XAUB36D	1125	35.2	25.7	15.00	12.50	35.6	23.2	8.55	7.05	3.52	2.40
THE36B42S	MVC12BN21	17.5	XAHB36D	1175	35.2	26.3	14.00	12.00	35.0	22.8	8.20	6.75	3.38	2.34
THE36B42S	MVC12CN21	21.0	CF/CM48C	1000	36.0	25.8	15.75	13.00	34.8	22.4	9.00	7.95	3.64	2.58
THE36B42S	MVC12CN21	21.0	XAF/XAUC48F	1200	35.6	27.3	15.00	12.50	35.6	23.0	9.00	7.20	3.78	2.58
THE36B42S	MVC12CN21	21.0	XAFC36D	1225	35.6	26.7	15.00	12.50	35.6	23.2	8.55	6.80	3.64	2.44
THE36B42S	MVC12CN21	21.0	XAHC36D	1400	35.6	28.8	14.50	12.50	35.6	23.0	8.55	6.80	3.62	2.40
THE36B42S	MVC12CN21	21.0	XAHC48F	1075	34.8	25.1	15.00	12.50	34.0	22.8	9.00	7.50	3.62	2.62
THE36B42S	MVC14DN21	24.5	CF/CM48D	1000	36.0	25.8	15.75	13.00	34.8	22.4	9.00	8.00	3.66	2.60
THE36B42S	MVC14DN21	24.5	XAFD48F	1200	35.6	27.3	15.00	12.50	35.0	22.8	9.00	7.15	3.80	2.60
THE36B42S	MVC14DN21	24.5	XAHD48F	1200	35.4	26.5	15.00	12.50	34.0	22.6	9.00	7.25	3.74	2.64
THE36B42S	MVC16CN21	21.0	CF/CM48C	1025	36.0	25.8	15.75	13.00	34.8	22.4	9.00	7.95	3.66	2.58
THE36B42S	MVC16CN21	21.0	XAF/XAUC48F	1275	35.6	28.2	15.00	12.50	35.6	23.0	9.00	7.15	3.82	2.60
THE36B42S	MVC16CN21	21.0	XAFC36D	1175	35.6	26.3	15.00	12.50	35.6	23.2	8.55	6.85	3.60	2.44
THE36B42S	MVC16CN21	21.0	XAHC36D	1275	35.6	27.7	15.00	12.50	35.0	22.6	8.55	7.05	3.54	2.40
THE36B42S	MVC16CN21	21.0	XAHC48F	1175	35.2	26.1	15.00	12.50	34.2	22.8	9.00	7.40	3.68	2.62
THE36B42S	MVC20DN21	24.5	CF/CM48D	1175	36.0	27.4	15.75	13.00	34.8	22.4	9.00	8.10	3.78	2.62
THE36B42S	MVC20DN21	24.5	XAFD48F	1375	35.6	29.3	15.00	12.50	35.6	23.0	9.00	7.10	3.92	2.64
THE36B42S	MVC20DN21	24.5	XAHD48F	1400	35.6	28.5	15.00	12.50	34.6	22.6	9.00	7.25	3.88	2.66
THE42B33S	AE42CX21	21.0	—	1150	40.0	29.2	15.00	12.25	40.0	25.2	8.20	7.25	3.36	2.64
THE42B33S	AE48CBC21	21.0	—	1200	40.5	30.0	15.25	12.25	40.0	25.2	8.20	7.25	3.44	2.66

SYSTEM CAPACITY - Single Piece and Modular Air Handlers

UNIT MODEL	AIR HANDLER		COIL MODEL ³	RATED CFM	COOLING ¹				HEATING ²					
	MODEL	WIDTH			NET MBH		SEER	EER	NET MBH		HSPF Region IV	HSPF Region V	COP	
					TOTAL	SENS.			47°F OD	17°F OD			47°F OD	17°F OD
THE42B33S	AE48CX21	21.0	—	1200	40.5	30.0	15.25	12.25	40.0	25.2	8.20	7.25	3.44	2.66
THE42B33S	AE48DBC21	24.5	—	1250	40.5	30.8	15.50	12.50	39.5	25.0	8.50	7.50	3.50	2.70
THE42B33S	AE48DX21	24.5	—	1250	40.5	30.8	15.50	12.50	39.5	25.0	8.50	7.50	3.50	2.70
THE42B33S	AP48CBC21	21.0	—	1450	41.0	30.2	14.00	11.75	40.5	25.8	8.20	7.55	3.34	2.58
THE42B33S	AP48CX21	21.0	—	1450	41.0	30.2	14.00	11.75	40.5	25.8	8.20	7.55	3.34	2.58
THE42B33S	AP48DX21	24.5	—	1475	41.0	33.2	14.00	11.25	40.5	26.0	8.20	7.25	3.36	2.56
THE42B33S	AVC42CX21	21.0	—	1150	40.0	29.2	15.00	12.25	40.0	25.4	8.20	7.25	3.34	2.62
THE42B33S	AVC48CX21	21.0	—	1200	40.5	30.0	15.00	12.25	40.0	25.4	8.20	7.25	3.38	2.64
THE42B33S	AVC48DX21	24.5	—	1150	40.5	29.6	15.50	12.25	40.0	25.2	8.20	7.25	3.38	2.66
THE42B33S	ME14DN21	24.5	CF/CM48D	1200	40.5	30.0	15.25	12.25	40.0	25.2	8.20	7.25	3.40	2.66
THE42B33S	ME14DN21	24.5	XAF/XAUD60G	1500	41.0	31.0	14.00	11.50	40.5	25.6	8.20	6.70	3.70	2.52
THE42B33S	ME14DN21	24.5	XAFD48F	1175	39.0	28.1	15.00	12.00	38.5	24.6	8.55	7.05	3.68	2.52
THE42B33S	ME14DN21	24.5	XAHD48F	1175	38.0	26.9	14.50	12.00	36.8	24.2	8.20	6.80	3.52	2.48
THE42B33S	ME14DN21	21.0	XAHD60G	1475	40.0	30.3	14.00	11.00	39.5	25.2	8.20	6.60	3.64	2.48
THE42B33S	ME16CN21	21.0	CF/CM48C	1325	40.5	31.6	15.00	12.20	40.0	25.4	8.20	7.25	3.42	2.64
THE42B33S	ME16CN21	21.0	XAF/XAUC48F	1300	39.0	28.9	14.50	12.00	39.0	25.0	8.55	7.05	3.70	2.50
THE42B33S	ME16CN21	21.0	XAHC48F	1475	39.0	29.7	14.00	11.50	38.0	24.8	8.20	6.70	3.58	2.46
THE42B33S	ME20DN21	24.5	CF/CM48D	1275	41.0	31.2	15.50	12.50	39.5	25.2	8.50	7.50	3.46	2.66
THE42B33S	ME20DN21	24.5	XAF/XAUD60G	1475	41.0	30.9	14.00	11.50	40.0	25.4	8.20	6.65	3.72	2.54
THE42B33S	ME20DN21	24.5	XAFD48F	1475	40.0	30.9	15.00	12.00	39.0	25.0	8.55	6.95	3.84	2.56
THE42B33S	ME20DN21	24.5	XAHD48F	1475	39.0	29.7	14.50	12.00	37.6	24.4	8.55	7.10	3.68	2.52
THE42B33S	ME20DN21	21.0	XAHD60G	1450	40.0	30.2	14.00	11.50	39.5	25.0	8.20	6.45	3.66	2.50
THE42B33S	MVC14DN21	24.5	CF/CM48D	1175	40.5	29.8	15.50	12.50	40.0	25.0	8.20	7.25	3.40	2.68
THE42B33S	MVC14DN21	24.5	XAF/XAUD60G	1450	41.0	30.7	14.00	11.50	40.0	25.4	8.20	6.55	3.74	2.54
THE42B33S	MVC14DN21	24.5	XAFD48F	1450	40.0	30.7	15.00	12.00	39.0	24.8	8.55	6.95	3.84	2.58
THE42B33S	MVC14DN21	24.5	XAHD48F	1450	39.0	29.6	14.50	12.00	37.6	24.4	8.55	7.10	3.68	2.52
THE42B33S	MVC14DN21	21.0	XAHD60G	1475	40.5	30.8	14.00	11.50	39.5	25.0	8.20	6.70	3.70	2.52
THE42B33S	MVC16CN21	21.0	CF/CM48C	1150	40.5	29.6	15.25	12.25	40.0	25.2	8.20	7.25	3.36	2.66
THE42B33S	MVC16CN21	21.0	XAF/XAUC48F	1500	40.0	31.0	14.50	12.00	39.0	25.2	8.55	6.80	3.82	2.56
THE42B33S	MVC16CN21	21.0	XAHC48F	1175	38.0	26.9	14.50	12.00	36.8	24.0	8.20	6.80	3.52	2.48
THE42B33S	MVC20DN21	24.5	CF/CM48D	1175	40.5	29.8	15.50	12.50	40.0	25.0	8.20	7.25	3.40	2.68
THE42B33S	MVC20DN21	24.5	XAF/XAUD60G	1375	40.5	29.9	14.00	11.50	40.0	25.2	8.20	6.70	3.70	2.54
THE42B33S	MVC20DN21	24.5	XAFD48F	1275	39.5	29.2	15.00	12.50	38.5	24.6	8.55	6.85	3.78	2.56
THE42B33S	MVC20DN21	24.5	XAHD48F	1575	39.5	30.8	14.50	12.00	38.0	24.4	8.55	6.95	3.74	2.54
THE42B33S	MVC20DN21	21.0	XAHD60G	1550	40.5	31.2	14.00	11.50	39.5	25.2	8.20	6.65	3.72	2.54
THE42B43S	AE42CX21	21.0	—	1150	40.0	29.2	15.00	12.25	40.0	25.2	8.20	7.25	3.36	2.64

SYSTEM CAPACITY - Single Piece and Modular Air Handlers

UNIT MODEL	AIR HANDLER		COIL MODEL ³	RATED CFM	COOLING ¹				HEATING ²					
	MODEL	WIDTH			NET MBH		SEER	EER	NET MBH		HSPF Region IV	HSPF Region V	COP	
					TOTAL	SENS.			47°F OD	17°F OD			47°F OD	17°F OD
THE42B43S	AE48CBC21	21.0	—	1200	40.5	30.0	15.25	12.25	40.0	25.2	8.20	7.25	3.44	2.66
THE42B43S	AE48CX21	21.0	—	1200	40.5	30.0	15.25	12.25	40.0	25.2	8.20	7.25	3.44	2.66
THE42B43S	AE48DBC21	24.5	—	1250	40.5	30.8	15.50	12.50	39.5	25.0	8.50	7.50	3.50	2.70
THE42B43S	AE48DX21	24.5	—	1250	40.5	30.8	15.50	12.50	39.5	25.0	8.50	7.50	3.50	2.70
THE42B43S	AP48CBC21	21.0	—	1450	41.0	30.2	14.00	11.75	40.5	25.8	8.20	7.55	3.34	2.58
THE42B43S	AP48CX21	21.0	—	1450	41.0	30.2	14.00	11.75	40.5	25.8	8.20	7.55	3.34	2.58
THE42B43S	AP48DX21	24.5	—	1475	41.0	33.2	14.00	11.25	40.5	26.0	8.20	7.25	3.36	2.56
THE42B43S	AVC42CX21	21.0	—	1150	40.0	29.2	15.00	12.25	40.0	25.4	8.20	7.25	3.34	2.62
THE42B43S	AVC48CX21	21.0	—	1200	40.5	30.0	15.00	12.25	40.0	25.4	8.20	7.25	3.38	2.64
THE42B43S	AVC48DX21	24.5	—	1150	40.5	29.6	15.50	12.25	40.0	25.2	8.20	7.25	3.38	2.66
THE42B43S	ME14DN21	24.5	CF/CM48D	1200	40.5	30.0	15.25	12.25	40.0	25.2	8.20	7.25	3.40	2.66
THE42B43S	ME14DN21	24.5	XAF/XAUD60G	1500	41.0	31.0	14.00	11.50	40.5	25.6	8.20	6.70	3.70	2.52
THE42B43S	ME14DN21	24.5	XAFD48F	1175	39.0	28.1	15.00	12.00	38.5	24.6	8.55	7.05	3.68	2.52
THE42B43S	ME14DN21	24.5	XAHD48F	1175	38.0	26.9	14.50	12.00	36.8	24.2	8.20	6.80	3.52	2.48
THE42B43S	ME14DN21	21.0	XAHD60G	1475	40.0	30.3	14.00	11.00	39.5	25.2	8.20	6.60	3.64	2.48
THE42B43S	ME16CN21	21.0	CF/CM48C	1325	40.5	31.6	15.00	12.20	40.0	25.4	8.20	7.25	3.42	2.64
THE42B43S	ME16CN21	21.0	XAF/XAUC48F	1300	39.0	28.9	14.50	12.00	39.0	25.0	8.55	7.05	3.70	2.50
THE42B43S	ME16CN21	21.0	XAHC48F	1475	39.0	29.7	14.00	11.50	38.0	24.8	8.20	6.70	3.58	2.46
THE42B43S	ME20DN21	24.5	CF/CM48D	1275	41.0	31.2	15.50	12.50	39.5	25.2	8.50	7.50	3.46	2.66
THE42B43S	ME20DN21	24.5	XAF/XAUD60G	1475	41.0	30.9	14.00	11.50	40.0	25.4	8.20	6.65	3.72	2.54
THE42B43S	ME20DN21	24.5	XAFD48F	1475	40.0	30.9	15.00	12.00	39.0	25.0	8.55	6.95	3.84	2.56
THE42B43S	ME20DN21	24.5	XAHD48F	1475	39.0	29.7	14.50	12.00	37.6	24.4	8.55	7.10	3.68	2.52
THE42B43S	ME20DN21	21.0	XAHD60G	1450	40.0	30.2	14.00	11.50	39.5	25.0	8.20	6.45	3.66	2.50
THE42B43S	MVC14DN21	24.5	CF/CM48D	1175	40.5	29.8	15.50	12.50	40.0	25.0	8.20	7.25	3.40	2.68
THE42B43S	MVC14DN21	24.5	XAF/XAUD60G	1450	41.0	30.7	14.00	11.50	40.0	25.4	8.20	6.55	3.74	2.54
THE42B43S	MVC14DN21	24.5	XAFD48F	1450	40.0	30.7	15.00	12.00	39.0	24.8	8.55	6.95	3.84	2.58
THE42B43S	MVC14DN21	24.5	XAHD48F	1450	39.0	29.6	14.50	12.00	37.6	24.4	8.55	7.10	3.68	2.52
THE42B43S	MVC14DN21	21.0	XAHD60G	1475	40.5	30.8	14.00	11.50	39.5	25.0	8.20	6.70	3.70	2.52
THE42B43S	MVC16CN21	21.0	CF/CM48C	1150	40.5	29.6	15.25	12.25	40.0	25.2	8.20	7.25	3.36	2.66
THE42B43S	MVC16CN21	21.0	XAF/XAUC48F	1500	40.0	31.0	14.50	12.00	39.0	25.2	8.55	6.80	3.82	2.56
THE42B43S	MVC16CN21	21.0	XAHC48F	1175	38.0	26.9	14.50	12.00	36.8	24.0	8.20	6.80	3.52	2.48
THE42B43S	MVC20DN21	24.5	CF/CM48D	1175	40.5	29.8	15.50	12.50	40.0	25.0	8.20	7.25	3.40	2.68
THE42B43S	MVC20DN21	24.5	XAF/XAUD60G	1375	40.5	29.9	14.00	11.50	40.0	25.2	8.20	6.70	3.70	2.54
THE42B43S	MVC20DN21	24.5	XAFD48F	1275	39.5	29.2	15.00	12.50	38.5	24.6	8.55	6.85	3.78	2.56
THE42B43S	MVC20DN21	24.5	XAHD48F	1575	39.5	30.8	14.50	12.00	38.0	24.4	8.55	6.95	3.74	2.54
THE42B43S	MVC20DN21	21.0	XAHD60G	1550	40.5	31.2	14.00	11.50	39.5	25.2	8.20	6.65	3.72	2.54
THE48B31S	AE48CX21	21.0	—	1400	46.0	31.8	14.25	12.00	47.5	31.4	9.00	7.82	3.58	2.64

SYSTEM CAPACITY - Single Piece and Modular Air Handlers

UNIT MODEL	AIR HANDLER		COIL MODEL ³	RATED CFM	COOLING ¹				HEATING ²					
	MODEL	WIDTH			NET MBH		SEER	EER	NET MBH		HSPF Region IV	HSPF Region V	COP	
					TOTAL	SENS.			47°F OD	17°F OD			47°F OD	17°F OD
THE48B31S	AE48DX21	24.5	—	1400	46.5	32.0	14.50	12.25	47.5	31.4	9.00	7.82	3.62	2.66
THE48B31S	AE60CX21	21.0	—	1520	47.0	33.3	15.00	12.50	47.5	31.4	9.00	7.82	3.66	2.66
THE48B31S	AVC48CX21	21.0	—	1375	46.0	31.6	14.25	12.00	47.5	31.4	9.00	7.82	3.56	2.62
THE48B31S	AVC48DX21	24.5	—	1400	46.5	31.6	14.75	12.25	47.5	31.2	9.00	7.82	3.60	2.66
THE48B31S	AVC60CX21	21.0	—	1350	46.5	31.6	15.00	12.50	47.5	31.2	9.00	7.82	3.56	2.62
THE48B31S	ME14DN21	24.5	CF/CM48D	1400	46.5	32.0	14.50	12.25	47.5	31.4	9.00	7.82	3.60	2.66
THE48B31S	ME14DN21	24.5	CF/CM60D	1400	46.5	32.0	14.25	12.00	48.0	31.4	9.00	7.82	3.54	2.60
THE48B31S	ME16CN21	21.0	CF/CM48C	1400	46.0	31.8	14.50	12.00	47.5	31.4	9.00	7.82	3.58	2.64
THE48B31S	ME16CN21	21.0	CF/CM60C	1400	47.0	32.2	14.50	12.25	47.5	31.2	9.00	7.82	3.58	2.62
THE48B31S	ME20DN21	24.5	CF/CM48D	1400	46.5	31.8	14.50	12.00	47.5	31.4	9.00	7.82	3.60	2.66
THE48B31S	ME20DN21	24.5	CF/CM60D	1400	47.0	32.2	14.75	12.25	47.5	31.2	9.00	7.82	3.58	2.64
THE48B31S	ME20DN21	21.0	XAHD60G	1650	46.5	35.1	14.50	12.00	47.0	31.4	9.00	7.35	3.88	2.80
THE48B31S	MVC20DN21	24.5	XAF/XAUD60G	1550	46.0	33.6	15.00	12.00	46.5	31.2	9.00	7.30	3.92	2.84
THE48B41S	AE48CX21	21.0	—	1400	46.0	31.8	14.25	12.00	47.5	31.4	9.00	7.82	3.58	2.64
THE48B41S	AE48DX21	24.5	—	1400	46.5	32.0	14.50	12.25	47.5	31.4	9.00	7.82	3.62	2.66
THE48B41S	AE60CX21	21.0	—	1520	47.0	33.3	15.00	12.50	47.5	31.4	9.00	7.82	3.66	2.66
THE48B41S	AVC48CX21	21.0	—	1375	46.0	31.6	14.25	12.00	47.5	31.4	9.00	7.82	3.56	2.62
THE48B41S	AVC48DX21	24.5	—	1400	46.5	31.6	14.75	12.25	47.5	31.2	9.00	7.82	3.60	2.66
THE48B41S	AVC60CX21	21.0	—	1350	46.5	31.6	15.00	12.50	47.5	31.2	9.00	7.82	3.56	2.62
THE48B41S	ME14DN21	24.5	CF/CM48D	1400	46.5	32.0	14.50	12.25	47.5	31.4	9.00	7.82	3.60	2.66
THE48B41S	ME14DN21	24.5	CF/CM60D	1400	46.5	32.0	14.25	12.00	48.0	31.4	9.00	7.82	3.54	2.60
THE48B41S	ME16CN21	21.0	CF/CM48C	1400	46.0	31.8	14.50	12.00	47.5	31.4	9.00	7.82	3.58	2.64
THE48B41S	ME16CN21	21.0	CF/CM60C	1400	47.0	32.2	14.50	12.25	47.5	31.2	9.00	7.82	3.58	2.62
THE48B41S	ME20DN21	24.5	CF/CM48D	1400	46.5	31.8	14.50	12.00	47.5	31.4	9.00	7.82	3.60	2.66
THE48B41S	ME20DN21	24.5	CF/CM60D	1400	47.0	32.2	14.75	12.25	47.5	31.2	9.00	7.82	3.58	2.64
THE48B41S	ME20DN21	21.0	XAHD60G	1650	46.5	35.1	14.50	12.00	47.0	31.4	9.00	7.35	3.88	2.80
THE48B41S	MVC20DN21	24.5	XAF/XAUD60G	1550	46.0	33.6	15.00	12.00	46.5	31.2	9.00	7.30	3.92	2.84
THE60B31S	AE60DX21	24.5	—	1640	55.5	38.5	14.25	12.00	57.0	37.8	9.00	7.82	3.88	2.82
THE60B31S	AVC60DX21	24.5	—	1550	55.5	38.5	14.25	12.00	57.0	37.8	9.00	7.82	3.88	2.82
THE60B31S	ME20DN21	24.5	CF/CM64D	1600	55.0	38.0	14.25	12.00	57.0	37.6	9.25	8.04	3.88	2.82
THE60B31S	ME20DN21	24.5	XAFD60J	1675	54.5	41.5	14.00	11.50	57.0	38.0	9.00	7.35	3.84	2.76
THE60B31S	ME20DN21	24.5	XAHD60J	1650	55.5	40.3	14.00	11.50	56.0	38.0	9.00	7.50	3.78	2.76
THE60B31S	MVC20DN21	24.5	XAFD60J	1775	55.0	42.4	14.00	11.50	57.5	38.5	9.00	7.30	3.86	2.76
THE60B31S	MVC20DN21	24.5	XAHD60J	1775	56.0	41.4	14.00	11.50	56.5	38.0	9.00	7.35	3.84	2.74
THE60B41S	AE60DX21	24.5	—	1640	55.5	38.5	14.25	12.00	57.0	37.8	9.00	7.82	3.88	2.82
THE60B41S	AVC60DX21	24.5	—	1550	55.5	38.5	14.25	12.00	57.0	37.8	9.00	7.82	3.88	2.82
THE60B41S	ME20DN21	24.5	CF/CM64D	1600	55.0	38.0	14.25	12.00	57.0	37.6	9.25	8.04	3.88	2.82

SYSTEM CAPACITY - Single Piece and Modular Air Handlers

UNIT MODEL	AIR HANDLER		COIL MODEL ³	RATED CFM	COOLING ¹				HEATING ²					
	MODEL	WIDTH			NET MBH		SEER	EER	NET MBH		HSPF Region IV	HSPF Region V	COP	
					TOTAL	SENS.			47°F OD	17°F OD			47°F OD	17°F OD
THE60B41S	ME20DN21	24.5	XAFD60J	1675	54.5	41.5	14.00	11.50	57.0	38.0	9.00	7.35	3.84	2.76
THE60B41S	ME20DN21	24.5	XAHD60J	1650	55.5	40.3	14.00	11.50	56.0	38.0	9.00	7.50	3.78	2.76
THE60B41S	MVC20DN21	24.5	XAFD60J	1775	55.0	42.4	14.00	11.50	57.5	38.5	9.00	7.30	3.86	2.76
THE60B41S	MVC20DN21	24.5	XAHD60J	1775	56.0	41.4	14.00	11.50	56.5	38.0	9.00	7.35	3.84	2.74

Rated in accordance with DOE test procedures (Federal Register 12-27-79 and 3-18-88) and ANSI/AHRI Standard 210/240.

1. Cooling MBH based on 80°F entering air temperature, 50% RH (Relative Humidity), and rated air flow.

EER (Energy Efficiency Ratio) is the total cooling output in BTUs at 95°F outdoor ambient divided by the total electric power in watt-hours at those conditions.

SEER (Seasonal Energy Efficiency Ratio) is the total cooling output in BTUs during a normal annual usage period for cooling divided by the total electric power input in watt-hours during the same period.

2. Heating MBH based on AHRI standards of 70°F DB (Dry Bulb) entering indoor air, 72% RH (Relative Humidity) outdoor air with 25 ft of interconnecting piping and no supplemental electric heat operation.

HSPF (Heating Seasonal Performance Factor) is the total heating output during a normal annual usage period for heating divided by the total electric power input during the same period.

COP (Coefficient of Performance) equals Heating MBH output divided by (total KW input x 3.412).

3. CM coils available with a factory installed horizontal drain pan. See price pages for specific model number.

— = Not applicable.

* Notates Hot Heat Pump performance. These ratings are not AHRI listed.

Modular air handlers use coil only ratings.

SYSTEM CAPACITY - Upflow, Downflow and Horizontal Furnaces and Coils (Coil Only Ratings)

UNIT MODEL	COIL		CFM RANGE (MIN.-MAX.)	COOLING					HEATING					
	MODEL	WIDTH		RATED CFM	NET MBH		SEER ¹	EER	NET MBH		HSPF Region IV	HSPF Region V	COP	
					TOTAL	SENS.			47°F OD	17°F OD			47°F OD	17°F OD
THE30B31S	CF/CM/CU36B	17.5	800 - 1200	1000	28.8	21.2	14.00	12.00	29.6	20.0	8.55	7.43	3.74	2.62
THE30B31S	CF/CM/CU36C	21.0	800 - 1200	1000	28.8	21.2	14.00	12.00	29.6	20.0	8.55	7.43	3.74	2.62
THE30B31S	CF/CM/CU36D	24.5	800 - 1200	1000	28.8	21.2	14.00	12.00	29.6	20.0	8.55	7.43	3.74	2.62
THE30B31S	CF/CM/CU42C	21.0	800 - 1200	1000	29.2	21.6	14.00	12.00	29.2	19.6	8.55	7.43	3.74	2.60
THE30B31S	CF/CM/CU42D	24.5	800 - 1200	1000	29.2	21.6	14.00	12.00	29.2	19.6	8.55	7.43	3.74	2.60
THE30B31S	CF/CM36A	14.5	800 - 1200	900	28.4	20.2	14.00	12.00	29.4	20.0	8.55	7.43	3.68	2.62
THE30B31S	XAF/XAUB30C	17.5	800 - 1200	1000	28.4	21.9	14.00	11.50	29.0	19.1	8.20	6.60	3.40	2.28
THE30B31S	XAFC30C	21.0	800 - 1200	1000	28.4	21.9	14.00	11.50	29.0	19.1	8.20	6.60	3.40	2.28
THE30B31S	XAHB30C	17.5	800 - 1200	1000	28.0	21.9	14.00	11.50	29.0	19.3	8.20	6.60	3.48	2.36
THE30B31S	XAHC30C	21.0	800 - 1200	1000	28.0	21.9	14.00	11.50	29.0	19.3	8.20	6.60	3.48	2.36
THE30B41S	CF/CM/CU36B	17.5	800 - 1200	1000	28.8	21.2	14.00	12.00	29.6	20.0	8.55	7.43	3.74	2.62
THE30B41S	CF/CM/CU36C	21.0	800 - 1200	1000	28.8	21.2	14.00	12.00	29.6	20.0	8.55	7.43	3.74	2.62
THE30B41S	CF/CM/CU36D	24.5	800 - 1200	1000	28.8	21.2	14.00	12.00	29.6	20.0	8.55	7.43	3.74	2.62
THE30B41S	CF/CM/CU42C	21.0	800 - 1200	1000	29.2	21.6	14.00	12.00	29.2	19.6	8.55	7.43	3.74	2.60
THE30B41S	CF/CM/CU42D	24.5	800 - 1200	1000	29.2	21.6	14.00	12.00	29.2	19.6	8.55	7.43	3.74	2.60
THE30B41S	CF/CM36A	14.5	800 - 1200	900	28.4	20.2	14.00	12.00	29.4	20.0	8.55	7.43	3.68	2.62
THE36B32S	CF/CM/CU48C	21.0	1000 - 1400	1200	36.0	27.6	14.25	12.20	35.8	23.4	8.50	7.75	3.54	2.46
THE36B32S	CF/CM/CU48D	24.5	1000 - 1400	1200	36.0	27.6	14.25	12.20	35.8	23.4	8.50	7.75	3.54	2.46
THE36B42S	CF/CM/CU48C	21.0	1000 - 1400	1200	36.0	27.6	14.25	12.20	35.8	23.4	8.50	7.75	3.54	2.46
THE36B42S	CF/CM/CU48D	24.5	1000 - 1400	1200	36.0	27.6	14.25	12.20	35.8	23.4	8.50	7.75	3.54	2.46
THE42B33S	CF/CM/CU48C	21.0	1200 - 1600	1400	40.5	32.0	14.00	11.25	40.5	26.0	8.20	7.30	3.32	2.54
THE42B33S	CF/CM/CU48D	24.5	1200 - 1600	1400	40.5	32.0	14.00	11.25	40.5	26.0	8.20	7.30	3.32	2.54
THE42B43S	CF/CM/CU48C	21.0	1200 - 1600	1400	40.5	32.0	14.00	11.25	40.5	26.0	8.20	7.30	3.32	2.54
THE42B43S	CF/CM/CU48D	24.5	1200 - 1600	1400	40.5	32.0	14.00	11.25	40.5	26.0	8.20	7.30	3.32	2.54
THE48B31S	CF/CM/CU60C	21.0	1400 - 1600	1600	47.0	33.8	14.00	11.75	47.5	32.0	8.20	7.13	3.54	2.50
THE48B31S	CF/CM/CU60D	24.5	1400 - 1600	1600	47.0	33.8	14.00	11.75	47.5	32.0	8.20	7.13	3.54	2.50
THE48B41S	CF/CM/CU60C	21.0	1400 - 1600	1600	47.0	33.8	14.00	11.75	47.5	32.0	8.20	7.13	3.54	2.50
THE48B41S	CF/CM/CU60D	24.5	1400 - 1600	1600	47.0	33.8	14.00	11.75	47.5	32.0	8.20	7.13	3.54	2.50

1. Systems matched with furnaces or air handlers not equipped with blower-off delays may require blower time delay.

— = Not Applicable.

For rated condition information, see the footnotes below the System Capacity - Single Piece and Modular Air Handlers table.

Modular air handlers use coil only ratings.

PSC furnaces use coil only ratings.

SYSTEM CAPACITY - With High Efficiency Motor Furnaces¹

UNIT MODEL	FURNACE		COIL MODEL ²	COOLING					HEATING					
	MODEL	WIDTH		RATED CFM	NET MBH		SEER	EER	NET MBH		HSPF Region IV	HSPF Region V	COP	
					TOTAL	SENS.			47°F OD	17°F OD			47°F OD	17°F OD
THE30B31S	TL8E060A12UH11	17.5	XAF/XAUB30C	1050	28.4	22.6	14.50	12.00	29.0	18.7	8.55	6.80	3.56	2.36
THE30B31S	TL8E060A12UH11	17.5	XAF/XAUB36D	1025	29.0	21.9	14.50	12.00	28.8	18.8	9.00	7.25	3.68	2.54
THE30B31S	TL8E060A12UH11	14.5	XAFA30D	800	28.0	20.0	14.50	12.00	28.4	18.2	8.55	6.70	3.54	2.46
THE30B31S	TL8E060A12UH11	17.5	XAHB30C	1025	28.4	22.6	14.50	12.00	29.0	18.9	8.55	6.85	3.62	2.44
THE30B31S	TL8E060A12UH11	17.5	XAHB36D	800	28.0	20.2	14.50	12.00	27.8	18.1	8.55	6.95	3.48	2.46
THE30B31S	TL8E080C16UH11	21.0	XAFC30C	1100	29.0	23.2	14.50	12.00	29.0	18.6	8.55	6.60	3.66	2.40
THE30B31S	TL8E080C16UH11	21.0	XAFC36D	900	28.6	21.0	15.00	12.50	28.4	18.3	9.00	7.10	3.66	2.52
THE30B31S	TL8E080C16UH11	21.0	XAHC30C	900	28.4	21.4	15.00	12.50	28.0	18.7	8.55	6.90	3.58	2.44
THE30B31S	TL8E080C16UH11	21.0	XAHC36D	1050	29.2	23.1	14.50	12.50	28.4	18.4	9.00	7.20	3.70	2.54
THE30B31S	TL8E100C20UH11	21.0	XAFC30C	1025	29.0	22.6	14.50	12.00	28.0	18.5	8.55	6.60	3.62	2.40
THE30B31S	TL8E100C20UH11	21.0	XAFC36D	1000	29.2	22.0	15.00	12.50	28.6	18.5	9.00	7.05	3.76	2.58
THE30B31S	TL8E100C20UH11	21.0	XAHC30C	1000	29.0	22.7	15.00	12.50	29.0	18.6	8.55	6.65	3.68	2.48
THE30B31S	TL8E100C20UH11	21.0	XAHC36D	975	29.0	22.4	15.00	12.50	28.0	18.2	9.00	7.30	3.68	2.54
THE30B31S	TL9E060B12UH11	17.5	XAF/XAUB30C	1025	28.4	22.2	14.00	11.50	29.0	18.9	8.20	6.35	3.50	2.32
THE30B31S	TL9E060B12UH11	17.5	XAF/XAUB36D	825	28.2	20.3	14.50	12.00	28.4	18.3	8.55	6.75	3.56	2.46
THE30B31S	TL9E060B12UH11	21.0	XAFC30C	1025	28.4	22.2	14.00	11.50	29.0	18.9	8.20	6.35	3.50	2.32
THE30B31S	TL9E060B12UH11	17.5	XAHB30C	825	28.0	20.5	14.50	12.00	28.0	18.9	8.55	6.95	3.46	2.40
THE30B31S	TL9E060B12UH11	17.5	XAHB36D	800	28.0	20.2	14.00	12.00	27.8	18.1	8.55	6.90	3.46	2.44
THE30B31S	TL9E060B12UH11	21.0	XAHC30C	850	28.0	20.9	14.50	12.00	28.0	18.9	8.55	6.85	3.50	2.40
THE30B31S	TL9E080C16UH11	21.0	XAFC30C	1050	29.0	22.8	14.50	12.00	29.0	18.7	8.55	6.75	3.58	2.36
THE30B31S	TL9E080C16UH11	21.0	XAFC36D	850	28.4	20.6	15.00	12.50	28.4	18.3	9.00	7.25	3.62	2.50
THE30B31S	TL9E080C16UH11	21.0	XAHC30C	1050	29.0	23.0	14.50	12.00	29.0	18.8	8.55	6.70	3.66	2.46
THE30B31S	TL9E080C16UH11	21.0	XAHC36D	1025	29.0	22.8	14.50	12.00	28.4	18.4	9.00	7.30	3.68	2.52
THE30B31S	TL9E100C20UH11	21.0	XAFC30C	1100	29.0	23.2	15.00	12.50	29.0	18.6	8.55	6.80	3.68	2.40
THE30B31S	TL9E100C20UH11	21.0	XAFC36D	1075	29.4	22.5	15.00	12.50	28.8	18.8	9.00	7.20	3.80	2.60
THE30B31S	TL9E100C20UH11	21.0	XAHC30C	1075	29.0	23.3	15.00	12.50	29.0	18.7	8.55	6.60	3.72	2.48
THE30B31S	TL9E100C20UH11	21.0	XAHC36D	1050	29.2	23.1	14.50	12.50	28.4	18.4	9.00	7.15	3.74	2.56
THE30B31S	TM8E040A12MP11	17.5	XAF/XAUB30C	1025	28.4	22.4	14.50	12.00	29.0	18.7	8.55	6.80	3.56	2.36
THE30B31S	TM8E040A12MP11	17.5	XAF/XAUB36D	850	28.4	20.6	15.00	12.50	28.4	18.3	9.00	7.20	3.60	2.50
THE30B31S	TM8E040A12MP11	14.5	XAFA30D	975	28.8	21.5	14.50	12.00	28.8	18.7	9.00	7.15	3.64	2.52
THE30B31S	TM8E040A12MP11	17.5	XAHB30C	1000	28.4	22.3	14.50	12.00	29.0	18.8	8.55	6.90	3.62	2.44
THE30B31S	TM8E040A12MP11	17.5	XAHB36D	825	28.2	20.5	14.50	12.00	27.8	18.1	8.55	6.75	3.52	2.48
THE30B31S	TM8E060A12MP11	17.5	XAF/XAUB30C	1025	28.4	22.4	14.50	12.00	29.0	18.7	8.55	6.80	3.56	2.36
THE30B31S	TM8E060A12MP11	17.5	XAF/XAUB36D	850	28.4	20.6	15.00	12.50	28.4	18.3	9.00	7.20	3.60	2.48
THE30B31S	TM8E060A12MP11	14.5	XAFA30D	950	28.6	21.2	14.50	12.00	28.8	18.7	9.00	7.20	3.62	2.50
THE30B31S	TM8E060A12MP11	17.5	XAHB30C	1000	28.4	22.3	14.50	12.00	29.0	18.9	8.55	6.90	3.60	2.44
THE30B31S	TM8E060A12MP11	17.5	XAHB36D	825	28.2	20.5	14.50	12.00	27.8	18.1	8.55	6.75	3.50	2.48

SYSTEM CAPACITY - With High Efficiency Motor Furnaces¹ (Continued)

UNIT MODEL	FURNACE		COIL MODEL ²	COOLING					HEATING					
	MODEL	WIDTH		RATED CFM	NET MBH		SEER	EER	NET MBH		HSPF Region IV	HSPF Region V	COP	
					TOTAL	SENS.			47°F OD	17°F OD			47°F OD	17°F OD
THE30B31S	TM8E080B12MP11	17.5	XAF/XAUB30C	1025	28.4	22.4	14.50	12.00	29.0	18.7	8.55	6.80	3.56	2.36
THE30B31S	TM8E080B12MP11	17.5	XAF/XAUB36D	875	28.4	20.7	14.50	12.50	28.4	18.4	9.00	7.25	3.62	2.50
THE30B31S	TM8E080B12MP11	21.0	XAFC30C	1025	28.4	22.4	14.50	12.00	29.0	18.7	8.55	6.80	3.56	2.36
THE30B31S	TM8E080B12MP11	17.5	XAHB30C	1000	28.4	22.3	14.50	12.00	29.0	18.9	8.55	6.85	3.60	2.44
THE30B31S	TM8E080B12MP11	17.5	XAHB36D	850	28.2	20.7	14.50	12.00	27.8	18.1	8.55	6.80	3.52	2.48
THE30B31S	TM8E080C16MP11	21.0	XAFC30C	1075	29.0	23.1	14.50	12.00	29.0	18.6	8.55	6.60	3.64	2.40
THE30B31S	TM8E080C16MP11	21.0	XAFC36D	1050	29.2	22.2	15.00	12.50	28.8	18.7	9.00	7.25	3.76	2.58
THE30B31S	TM8E080C16MP11	21.0	XAHC36D	1025	29.2	23.0	14.50	12.50	28.4	18.4	9.00	7.20	3.70	2.54
THE30B31S	TM8E080C20MP11	21.0	XAFC36D	1200	30.0	23.6	15.00	12.50	29.0	19.1	9.00	7.20	3.90	2.66
THE30B31S	TM8E080C20MP11	21.0	XAHC36D	1175	29.8	24.6	14.50	12.50	28.8	18.6	9.00	7.10	3.84	2.58
THE30B31S	TM8E100B12MP11	17.5	XAF/XAUB30C	1075	29.0	22.9	14.50	12.00	29.0	18.7	8.55	6.75	3.58	2.36
THE30B31S	TM8E100B12MP11	17.5	XAF/XAUB36D	875	28.4	20.7	15.00	12.50	28.4	18.4	9.00	7.25	3.62	2.50
THE30B31S	TM8E100B12MP11	21.0	XAFC30C	1075	29.0	22.9	14.50	12.00	29.0	18.7	8.55	6.75	3.60	2.36
THE30B31S	TM8E100B12MP11	17.5	XAHB30C	1050	28.4	22.8	14.50	12.00	29.0	18.9	8.55	6.80	3.64	2.44
THE30B31S	TM8E100B12MP11	17.5	XAHB36D	850	28.2	20.7	14.50	12.00	27.8	18.1	8.55	6.80	3.52	2.48
THE30B31S	TM8E100C16MP11	21.0	XAFC30C	1100	29.0	23.2	15.00	12.50	29.0	18.6	8.55	6.80	3.66	2.40
THE30B31S	TM8E100C16MP11	21.0	XAFC36D	875	28.6	20.9	15.00	12.50	28.4	18.3	9.00	7.15	3.64	2.52
THE30B31S	TM8E100C16MP11	21.0	XAHC36D	1050	29.2	23.1	14.50	12.50	28.4	18.4	9.00	7.25	3.72	2.54
THE30B31S	TM8E100C20MP11	21.0	XAFC36D	1200	30.0	23.6	15.00	12.50	29.0	19.1	9.00	7.20	3.90	2.66
THE30B31S	TM8E100C20MP11	21.0	XAHC36D	1175	29.8	24.6	14.50	12.50	28.8	18.6	9.00	7.20	3.84	2.58
THE30B31S	TM8E120C16MP11	21.0	XAFC30C	1100	29.0	23.2	15.00	12.50	29.0	18.6	8.55	6.80	3.66	2.40
THE30B31S	TM8E120C16MP11	21.0	XAFC36D	900	28.6	21.0	15.00	12.50	28.4	18.3	9.00	7.10	3.66	2.52
THE30B31S	TM8E120C16MP11	21.0	XAHC36D	1050	29.2	23.1	14.50	12.50	28.4	18.4	9.00	7.25	3.72	2.54
THE30B31S	TM8V060A12MP11	14.5	CF/CM36A	975	28.8	21.2	14.25	12.00	29.4	19.8	8.75	7.60	3.80	2.66
THE30B31S	TM8V060A12MP12C	17.5	XAF/XAUB30C	975	28.4	22.0	14.50	12.00	29.0	18.6	8.55	6.85	3.52	2.34
THE30B31S	TM8V060A12MP12C	17.5	XAF/XAUB36D	800	28.2	20.2	15.00	12.50	28.2	18.1	8.55	6.90	3.58	2.48
THE30B31S	TM8V060A12MP12C	14.5	XAFA30D	875	28.4	20.7	14.50	12.00	28.4	18.4	9.00	7.20	3.60	2.48
THE30B31S	TM8V060A12MP12C	17.5	XAHB30C	975	28.4	22.1	14.50	12.00	29.0	18.9	8.55	6.85	3.58	2.42
THE30B31S	TM8V060A12MP12C	17.5	XAHB36D	875	28.4	21.1	14.50	12.00	28.0	18.2	8.55	6.95	3.54	2.48
THE30B31S	TM8V080B12MP11	17.5	CF/CM/CU36B	1025	29.2	21.8	14.75	12.50	29.4	19.7	8.75	7.60	3.86	2.70
THE30B31S	TM8V080B12MP11	17.5	CF42B	1000	29.4	21.8	15.00	12.50	29.0	19.3	8.75	7.60	3.86	2.66
THE30B31S	TM8V080B12MP12C	17.5	XAF/XAUB30C	1000	28.4	22.1	14.00	11.50	29.0	18.8	8.20	6.45	3.48	2.32
THE30B31S	TM8V080B12MP12C	17.5	XAF/XAUB36D	900	28.4	20.8	14.50	12.00	28.6	18.5	9.00	7.25	3.60	2.48
THE30B31S	TM8V080B12MP12C	21.0	XAFC30C	1000	28.4	22.1	14.00	11.50	29.0	18.8	8.20	6.45	3.48	2.32
THE30B31S	TM8V080B12MP12C	17.5	XAHB30C	900	28.0	21.2	14.50	12.00	29.0	19.0	8.55	6.85	3.50	2.40
THE30B31S	TM8V080B12MP12C	17.5	XAHB36D	900	28.2	21.1	14.00	11.50	28.2	18.4	8.55	6.75	3.52	2.46
THE30B31S	TM8V080C16MP11	21.0	CF/CM/CU36C	925	28.8	20.6	15.25	12.75	28.8	19.5	9.00	7.82	3.88	2.76

SYSTEM CAPACITY - With High Efficiency Motor Furnaces¹ (Continued)

UNIT MODEL	FURNACE		COIL MODEL ²	COOLING					HEATING					
	MODEL	WIDTH		RATED CFM	NET MBH		SEER	EER	NET MBH		HSPF Region IV	HSPF Region V	COP	
					TOTAL	SENS.			47°F OD	17°F OD			47°F OD	17°F OD
THE30B31S	TM8V080C16MP11	21.0	CF/CM/CU42C	925	29.8	21.4	15.75	13.00	28.4	19.0	9.00	7.82	3.92	2.72
THE30B31S	TM8V080C16MP12C	21.0	XAFC30C	950	28.4	21.9	14.50	12.00	28.0	18.5	8.55	6.90	3.54	2.36
THE30B31S	TM8V080C16MP12C	21.0	XAFC36D	950	28.8	21.4	15.00	12.50	28.4	18.5	9.00	7.25	3.70	2.54
THE30B31S	TM8V080C16MP12C	21.0	XAHC36D	950	28.8	22.0	14.50	12.50	28.0	18.2	9.00	7.10	3.64	2.52
THE30B31S	TM8V100C16MP11	21.0	CF/CM/CU36C	925	28.8	20.6	15.25	12.75	28.8	19.5	9.00	7.82	3.88	2.76
THE30B31S	TM8V100C16MP11	21.0	CF/CM/CU42C	925	29.8	21.4	15.75	13.00	28.4	19.0	9.00	7.82	3.92	2.72
THE30B31S	TM8V100C16MP12C	21.0	XAFC30C	950	28.4	21.9	14.50	12.00	28.0	18.5	8.55	6.90	3.54	2.36
THE30B31S	TM8V100C16MP12C	21.0	XAFC36D	950	28.8	21.4	15.00	12.50	28.4	18.5	9.00	7.25	3.70	2.54
THE30B31S	TM8V100C16MP12C	21.0	XAHC36D	950	28.8	22.0	14.50	12.50	28.0	18.2	9.00	7.10	3.64	2.52
THE30B31S	TM8V100C20MP12C	21.0	XAFC30C	1150	29.0	23.7	15.00	12.50	29.0	18.6	8.55	6.65	3.74	2.42
THE30B31S	TM8V100C20MP12C	21.0	XAFC36D	1150	29.8	23.2	15.00	12.50	28.8	18.9	9.00	7.00	3.86	2.64
THE30B31S	TM8V100C20MP12C	21.0	XAHC36D	1125	29.6	24.1	14.50	12.50	28.6	18.5	9.00	7.00	3.80	2.58
THE30B31S	TM8V120C20MP12C	21.0	XAFC30C	1150	29.0	23.7	15.00	12.50	29.0	18.6	8.55	6.65	3.74	2.42
THE30B31S	TM8V120C20MP12C	21.0	XAFC36D	1150	29.8	23.2	15.00	12.50	28.8	18.9	9.00	7.00	3.86	2.64
THE30B31S	TM8V120C20MP12C	21.0	XAHC36D	1125	29.6	24.1	14.50	12.50	28.6	18.5	9.00	7.00	3.80	2.58
THE30B31S	TM8X060A12MP11	14.5	CF/CM36A	975	29.0	21.2	15.00	12.50	29.2	19.6	8.75	7.60	3.86	2.72
THE30B31S	TM8X080B12MP11	17.5	CF/CM/CU36B	1000	29.2	21.8	15.25	12.75	29.2	19.6	9.00	7.82	3.92	2.74
THE30B31S	TM8X080B12MP11	17.5	CF42B	1000	29.4	22.0	15.25	12.50	28.8	19.1	9.00	7.82	3.92	2.70
THE30B31S	TM8X080C16MP11	21.0	CF/CM/CU36C	1000	29.2	21.8	15.25	12.75	29.0	19.5	9.00	7.82	3.94	2.76
THE30B31S	TM8X080C16MP11	21.0	CF/CM/CU36D	1000	29.2	21.8	15.50	12.75	29.0	19.5	9.00	7.82	3.94	2.76
THE30B31S	TM8X080C16MP11	21.0	CF/CM/CU42C	1000	29.6	22.0	15.50	13.00	28.6	19.1	9.00	7.82	3.96	2.72
THE30B31S	TM8X080C16MP11	21.0	CF/CM/CU42D	1000	29.6	22.0	15.50	12.75	28.6	19.0	9.00	7.82	3.96	2.74
THE30B31S	TM8X100C16MP11	21.0	CF/CM/CU36C	1000	29.2	21.8	15.25	12.75	29.0	19.5	9.00	7.82	3.94	2.76
THE30B31S	TM8X100C16MP11	21.0	CF/CM/CU36D	1000	29.2	21.8	15.50	12.75	29.0	19.5	9.00	7.82	3.94	2.76
THE30B31S	TM8X100C16MP11	21.0	CF/CM/CU42C	1000	29.6	22.0	15.50	13.00	28.6	19.1	9.00	7.82	3.96	2.72
THE30B31S	TM8X100C16MP11	21.0	CF/CM/CU42D	1000	29.6	22.0	15.50	12.75	28.6	19.0	9.00	7.82	3.96	2.74
THE30B31S	TM8X100C20MP11	21.0	CF/CM/CU36C	1000	29.2	21.8	15.25	12.75	29.0	19.5	9.00	7.82	3.94	2.76
THE30B31S	TM8X100C20MP11	21.0	CF/CM/CU36D	1000	29.2	21.8	15.50	12.75	29.0	19.5	9.00	7.82	3.94	2.76
THE30B31S	TM8X100C20MP11	21.0	CF/CM/CU42C	1000	29.6	22.0	15.50	13.00	28.6	19.1	9.00	7.82	3.96	2.72
THE30B31S	TM8X100C20MP11	21.0	CF/CM/CU42D	1000	29.6	22.0	15.50	12.75	28.6	19.0	9.00	7.82	3.96	2.74
THE30B31S	TM8X120C20MP11	21.0	CF/CM/CU36C	1000	29.2	21.8	15.25	12.75	29.0	19.5	9.00	7.82	3.94	2.76
THE30B31S	TM8X120C20MP11	21.0	CF/CM/CU36D	1000	29.2	21.8	15.50	12.75	29.0	19.5	9.00	7.82	3.94	2.76
THE30B31S	TM8X120C20MP11	21.0	CF/CM/CU42C	1000	29.6	22.0	15.50	13.00	28.6	19.1	9.00	7.82	3.96	2.72
THE30B31S	TM8X120C20MP11	21.0	CF/CM/CU42D	1000	29.6	22.0	15.50	12.75	28.6	19.0	9.00	7.82	3.96	2.74
THE30B31S	TM8Y060A12MP11	14.5	CF/CM36A	975	29.0	21.2	15.00	12.50	29.2	19.6	8.75	7.60	3.86	2.72
THE30B31S	TM8Y060A12MP11	17.5	XAF/XAUB30C	925	28.4	21.5	14.00	11.50	29.0	18.6	8.20	6.40	3.46	2.32
THE30B31S	TM8Y060A12MP11	17.5	XAF/XAUB36D	900	28.4	20.8	14.50	12.00	28.6	18.5	9.00	7.25	3.60	2.48

SYSTEM CAPACITY - With High Efficiency Motor Furnaces¹ (Continued)

UNIT MODEL	FURNACE		COIL MODEL ²	COOLING					HEATING					
	MODEL	WIDTH		RATED CFM	NET MBH		SEER	EER	NET MBH		HSPF Region IV	HSPF Region V	COP	
					TOTAL	SENS.			47°F OD	17°F OD			47°F OD	17°F OD
THE30B31S	TM8Y060A12MP11	14.5	XAFA30D	875	28.4	20.7	14.50	12.00	28.6	18.5	9.00	7.30	3.58	2.46
THE30B31S	TM8Y060A12MP11	17.5	XAHB30C	900	28.4	21.4	14.50	12.00	29.0	18.9	8.55	6.75	3.52	2.42
THE30B31S	TM8Y060A12MP11	17.5	XAHB36D	875	28.4	21.1	14.00	12.00	28.0	18.3	8.55	6.75	3.52	2.46
THE30B31S	TM8Y080B12MP11	17.5	CF/CM/CU36B	1000	29.2	21.8	15.25	12.75	29.2	19.6	9.00	7.82	3.92	2.74
THE30B31S	TM8Y080B12MP11	17.5	CF42B	1000	29.4	22.0	15.25	12.50	28.8	19.1	9.00	7.82	3.92	2.70
THE30B31S	TM8Y080B12MP11	17.5	XAF/XAUB30C	975	28.4	22.2	14.50	12.00	29.0	18.6	8.55	6.90	3.52	2.34
THE30B31S	TM8Y080B12MP11	17.5	XAF/XAUB36D	800	28.2	20.2	15.00	12.50	28.2	18.2	8.55	6.90	3.58	2.46
THE30B31S	TM8Y080B12MP11	21.0	XAFC30C	975	28.4	22.2	14.50	12.00	29.0	18.6	8.55	6.90	3.52	2.34
THE30B31S	TM8Y080B12MP11	17.5	XAHB30C	950	28.4	21.9	14.50	12.00	29.0	18.8	8.55	6.85	3.58	2.44
THE30B31S	TM8Y080B12MP11	17.5	XAHB36D	925	28.6	21.7	14.50	12.00	28.2	18.3	9.00	7.30	3.58	2.48
THE30B31S	TM8Y080C16MP11	21.0	CF/CM/CU36C	1000	29.2	21.8	15.25	12.75	29.0	19.5	9.00	7.82	3.94	2.76
THE30B31S	TM8Y080C16MP11	21.0	CF/CM/CU36D	1000	29.2	21.8	15.50	12.75	29.0	19.5	9.00	7.82	3.94	2.76
THE30B31S	TM8Y080C16MP11	21.0	CF/CM/CU42C	1000	29.6	22.0	15.50	13.00	28.6	19.1	9.00	7.82	3.96	2.72
THE30B31S	TM8Y080C16MP11	21.0	CF/CM/CU42D	1000	29.6	22.0	15.50	12.75	28.6	19.0	9.00	7.82	3.96	2.74
THE30B31S	TM8Y080C16MP11	21.0	XAFC30C	1150	29.0	23.7	15.00	12.50	29.0	18.6	8.55	6.70	3.70	2.42
THE30B31S	TM8Y080C16MP11	21.0	XAFC36D	950	29.0	21.6	15.00	12.50	28.4	18.4	9.00	7.15	3.72	2.56
THE30B31S	TM8Y080C16MP11	21.0	XAHC36D	925	28.8	21.9	14.50	12.50	28.0	18.1	9.00	7.20	3.62	2.52
THE30B31S	TM8Y100C16MP11	21.0	CF/CM/CU36C	1000	29.2	21.8	15.25	12.75	29.0	19.5	9.00	7.82	3.94	2.76
THE30B31S	TM8Y100C16MP11	21.0	CF/CM/CU36D	1000	29.2	21.8	15.50	12.75	29.0	19.5	9.00	7.82	3.94	2.76
THE30B31S	TM8Y100C16MP11	21.0	CF/CM/CU42C	1000	29.6	22.0	15.50	13.00	28.6	19.1	9.00	7.82	3.96	2.72
THE30B31S	TM8Y100C16MP11	21.0	CF/CM/CU42D	1000	29.6	22.0	15.50	12.75	28.6	19.0	9.00	7.82	3.96	2.74
THE30B31S	TM8Y100C16MP11	21.0	XAFC30C	1150	29.0	23.7	15.00	12.50	29.0	18.6	8.55	6.70	3.70	2.42
THE30B31S	TM8Y100C16MP11	21.0	XAFC36D	950	29.0	21.6	15.00	12.50	28.4	18.4	9.00	7.15	3.72	2.56
THE30B31S	TM8Y100C16MP11	21.0	XAHC36D	925	28.8	21.9	14.50	12.50	28.0	18.1	9.00	7.20	3.62	2.52
THE30B31S	TM8Y100C20MP11	21.0	CF/CM/CU36C	1000	29.2	21.8	15.25	12.75	29.0	19.5	9.00	7.82	3.94	2.76
THE30B31S	TM8Y100C20MP11	21.0	CF/CM/CU36D	1000	29.2	21.8	15.50	12.75	29.0	19.5	9.00	7.82	3.94	2.76
THE30B31S	TM8Y100C20MP11	21.0	CF/CM/CU42C	1000	29.6	22.0	15.50	13.00	28.6	19.1	9.00	7.82	3.96	2.72
THE30B31S	TM8Y100C20MP11	21.0	CF/CM/CU42D	1000	29.6	22.0	15.50	12.75	28.6	19.0	9.00	7.82	3.96	2.74
THE30B31S	TM8Y100C20MP11	21.0	XAFC30C	1200	29.0	24.2	15.00	12.50	29.0	18.6	8.55	6.60	3.78	2.44
THE30B31S	TM8Y100C20MP11	21.0	XAFC36D	950	29.0	21.6	15.00	12.50	28.4	18.4	9.00	7.15	3.72	2.56
THE30B31S	TM8Y100C20MP11	21.0	XAHC36D	925	28.8	21.9	15.00	12.50	28.0	18.1	9.00	7.20	3.64	2.52
THE30B31S	TM8Y120C20MP11	21.0	CF/CM/CU36C	1000	29.2	21.8	15.25	12.75	29.0	19.5	9.00	7.82	3.94	2.76
THE30B31S	TM8Y120C20MP11	21.0	CF/CM/CU36D	1000	29.2	21.8	15.50	12.75	29.0	19.5	9.00	7.82	3.94	2.76
THE30B31S	TM8Y120C20MP11	21.0	CF/CM/CU42C	1000	29.6	22.0	15.50	13.00	28.6	19.1	9.00	7.82	3.96	2.72
THE30B31S	TM8Y120C20MP11	21.0	CF/CM/CU42D	1000	29.6	22.0	15.50	12.75	28.6	19.0	9.00	7.82	3.96	2.74
THE30B31S	TM8Y120C20MP11	21.0	XAFC30C	1200	29.0	24.2	15.00	12.50	29.0	18.6	8.55	6.60	3.78	2.44
THE30B31S	TM8Y120C20MP11	21.0	XAFC36D	950	29.0	21.6	15.00	12.50	28.4	18.4	9.00	7.15	3.72	2.56

SYSTEM CAPACITY - With High Efficiency Motor Furnaces¹ (Continued)

UNIT MODEL	FURNACE		COIL MODEL ²	COOLING					HEATING					
	MODEL	WIDTH		RATED CFM	NET MBH		SEER	EER	NET MBH		HSPF Region IV	HSPF Region V	COP	
					TOTAL	SENS.			47°F OD	17°F OD			47°F OD	17°F OD
THE30B31S	TM8Y120C20MP11	21.0	XAHC36D	925	28.8	21.9	15.00	12.50	28.0	18.1	9.00	7.20	3.64	2.52
THE30B31S	TM9E026A08MP12	17.5	XAF/XAUB36D	850	28.0	20.2	14.00	11.50	28.6	18.6	8.55	6.80	3.50	2.42
THE30B31S	TM9E026A08MP12	14.5	XAFA30D	825	27.8	19.9	14.00	11.50	28.6	18.6	8.55	6.90	3.46	2.40
THE30B31S	TM9E040A10MP11	14.5	CF/CM36A	875	28.6	20.2	14.50	12.00	29.2	19.8	8.75	7.60	3.74	2.66
THE30B31S	TM9E040A10MP12	17.5	XAF/XAUB30C	850	28.0	20.7	14.00	11.50	29.0	18.8	8.20	6.40	3.34	2.28
THE30B31S	TM9E040A10MP12	17.5	XAF/XAUB36D	850	28.0	20.2	14.00	11.50	28.6	18.6	8.55	6.80	3.52	2.44
THE30B31S	TM9E040A10MP12	14.5	XAFA30D	825	28.0	20.1	14.00	11.50	28.6	18.6	8.55	6.85	3.48	2.42
THE30B31S	TM9E040A10MP12	17.5	XAHB30C	800	28.0	20.1	14.00	11.50	28.0	19.0	8.20	6.50	3.42	2.38
THE30B31S	TM9E060A10MP12	17.5	XAF/XAUB30C	1025	28.4	22.2	14.00	11.50	29.0	18.9	8.20	6.40	3.48	2.32
THE30B31S	TM9E060A10MP12	17.5	XAF/XAUB36D	850	28.2	20.4	14.50	12.00	28.4	18.4	8.55	6.90	3.56	2.46
THE30B31S	TM9E060A10MP12	14.5	XAFA30D	825	28.0	20.1	14.00	12.00	28.4	18.4	8.55	6.80	3.52	2.44
THE30B31S	TM9E060A10MP12	17.5	XAHB30C	850	28.0	20.7	14.50	12.00	28.0	18.9	8.55	6.95	3.46	2.40
THE30B31S	TM9E060A10MP12	17.5	XAHB36D	825	28.0	20.3	14.00	12.00	28.0	18.2	8.55	6.90	3.46	2.44
THE30B31S	TM9E060B12MP11	17.5	CF/CM/CU36B	900	28.8	20.4	15.25	12.50	29.0	19.5	9.00	7.82	3.86	2.74
THE30B31S	TM9E060B12MP11	17.5	CF42B	900	29.6	21.0	15.50	13.00	28.4	19.0	8.75	7.60	3.86	2.70
THE30B31S	TM9E060B12MP12	17.5	XAF/XAUB30C	1075	28.4	22.7	14.00	11.50	29.0	19.0	8.20	6.50	3.52	2.32
THE30B31S	TM9E060B12MP12	17.5	XAF/XAUB36D	925	28.6	21.1	14.50	12.00	28.6	18.6	9.00	7.25	3.60	2.48
THE30B31S	TM9E060B12MP12	21.0	XAFC30C	925	28.4	21.5	14.00	11.50	29.0	18.7	8.20	6.50	3.44	2.32
THE30B31S	TM9E060B12MP12	17.5	XAHB30C	900	28.0	21.2	14.50	12.00	29.0	19.0	8.55	6.85	3.50	2.40
THE30B31S	TM9E060B12MP12	17.5	XAHB36D	875	28.2	20.9	14.00	12.00	28.2	18.3	8.55	6.85	3.50	2.46
THE30B31S	TM9E060B12MP12	21.0	XAHC30C	925	28.4	21.6	14.50	12.00	29.0	18.9	8.55	6.75	3.54	2.40
THE30B31S	TM9E080B12MP11	17.5	CF/CM/CU36B	900	28.8	20.4	15.25	12.50	29.0	19.5	9.00	7.82	3.86	2.74
THE30B31S	TM9E080B12MP11	17.5	CF42B	900	29.6	21.0	15.50	13.00	28.4	19.0	8.75	7.60	3.86	2.70
THE30B31S	TM9E080B12MP12	17.5	XAF/XAUB30C	1050	28.4	22.6	14.50	12.00	29.0	18.8	8.55	6.80	3.56	2.36
THE30B31S	TM9E080B12MP12	17.5	XAF/XAUB36D	1025	29.0	21.9	14.50	12.00	28.8	18.9	9.00	7.25	3.68	2.54
THE30B31S	TM9E080B12MP12	21.0	XAFC30C	1050	28.4	22.6	14.50	12.00	29.0	18.8	8.55	6.80	3.56	2.36
THE30B31S	TM9E080B12MP12	17.5	XAHB30C	1025	28.4	22.6	14.50	12.00	29.0	18.9	8.55	6.85	3.60	2.42
THE30B31S	TM9E080B12MP12	17.5	XAHB36D	1000	28.8	22.4	14.00	12.00	28.4	18.5	8.55	6.80	3.60	2.48
THE30B31S	TM9E080B12MP12	21.0	XAHC30C	1050	28.4	22.8	14.50	12.00	29.0	18.9	8.55	6.80	3.64	2.44
THE30B31S	TM9E080C16MP11	21.0	CF/CM/CU36C	1000	29.2	21.6	15.00	12.50	29.2	19.6	8.75	7.60	3.90	2.72
THE30B31S	TM9E080C16MP11	21.0	CF/CM/CU36D	1000	29.2	21.8	15.00	12.50	29.2	19.6	8.75	7.60	3.90	2.74
THE30B31S	TM9E080C16MP11	21.0	CF/CM/CU42C	1000	29.4	22.0	15.25	12.50	28.8	19.2	8.75	7.60	3.90	2.70
THE30B31S	TM9E080C16MP11	21.0	CF/CM/CU42D	1000	29.4	22.0	15.25	12.75	28.8	19.1	9.00	7.82	3.92	2.70
THE30B31S	TM9E080C16MP12	21.0	XAFC30C	1075	29.0	22.9	14.50	12.00	29.0	18.7	8.55	6.70	3.62	2.38
THE30B31S	TM9E080C16MP12	21.0	XAFC36D	850	28.4	20.6	15.00	12.50	28.4	18.3	9.00	7.25	3.62	2.50
THE30B31S	TM9E080C16MP12	21.0	XAHC30C	1050	29.0	23.0	14.50	12.00	29.0	18.8	8.55	6.70	3.66	2.46
THE30B31S	TM9E080C16MP12	21.0	XAHC36D	1025	29.0	22.8	14.50	12.00	28.4	18.4	9.00	7.30	3.68	2.52

SYSTEM CAPACITY - With High Efficiency Motor Furnaces¹ (Continued)

UNIT MODEL	FURNACE		COIL MODEL ²	COOLING					HEATING					
	MODEL	WIDTH		RATED CFM	NET MBH		SEER	EER	NET MBH		HSPF Region IV	HSPF Region V	COP	
					TOTAL	SENS.			47°F OD	17°F OD			47°F OD	17°F OD
THE30B31S	TM9E080C20MP12	21.0	XAFC30C	1200	29.0	24.2	15.00	12.50	29.0	18.7	8.55	6.55	3.76	2.42
THE30B31S	TM9E080C20MP12	21.0	XAFC36D	1175	29.8	23.3	15.00	12.50	29.0	19.0	9.00	7.00	3.86	2.64
THE30B31S	TM9E080C20MP12	21.0	XAHC30C	1200	29.0	24.6	15.00	12.50	29.0	18.7	9.00	7.05	3.84	2.50
THE30B31S	TM9E080C20MP12	21.0	XAHC36D	1150	29.6	24.3	14.50	12.50	28.6	18.6	9.00	7.20	3.82	2.56
THE30B31S	TM9E100C16MP11	21.0	CF/CM/CU36C	1000	29.2	21.6	15.00	12.50	29.2	19.6	8.75	7.60	3.90	2.72
THE30B31S	TM9E100C16MP11	21.0	CF/CM/CU36D	1000	29.2	21.8	15.00	12.50	29.2	19.6	8.75	7.60	3.90	2.74
THE30B31S	TM9E100C16MP11	21.0	CF/CM/CU42C	1000	29.4	22.0	15.25	12.50	28.8	19.2	8.75	7.60	3.90	2.70
THE30B31S	TM9E100C16MP11	21.0	CF/CM/CU42D	1000	29.4	22.0	15.25	12.75	28.8	19.1	9.00	7.82	3.92	2.70
THE30B31S	TM9E100C16MP12	21.0	XAFC30C	1050	29.0	22.8	14.50	12.00	29.0	18.6	8.55	6.65	3.60	2.38
THE30B31S	TM9E100C16MP12	21.0	XAFC36D	1025	29.2	22.1	15.00	12.50	28.6	18.7	9.00	7.10	3.74	2.56
THE30B31S	TM9E100C16MP12	21.0	XAHC30C	900	28.4	21.4	15.00	12.50	28.0	18.7	8.55	6.90	3.58	2.44
THE30B31S	TM9E100C16MP12	21.0	XAHC36D	1025	29.0	22.8	14.50	12.50	28.4	18.4	9.00	7.30	3.70	2.54
THE30B31S	TM9E100C20MP11	21.0	CF/CM/CU36C	975	29.2	21.6	15.50	12.75	29.0	19.4	9.00	7.82	3.96	2.78
THE30B31S	TM9E100C20MP11	21.0	CF/CM/CU36D	975	29.2	21.6	15.75	13.00	29.0	19.4	9.00	7.82	3.98	2.78
THE30B31S	TM9E100C20MP11	21.0	CF/CM/CU42C	975	29.6	22.2	16.00	13.00	28.6	18.9	9.00	7.82	4.00	2.76
THE30B31S	TM9E100C20MP11	21.0	CF/CM/CU42D	975	29.6	22.2	16.00	13.00	28.6	18.9	9.00	7.82	4.02	2.76
THE30B31S	TM9E100C20MP12	21.0	XAFC30C	1175	29.0	23.8	15.00	12.50	29.0	18.7	8.55	6.65	3.74	2.42
THE30B31S	TM9E100C20MP12	21.0	XAFC36D	1150	29.8	23.2	15.00	12.50	29.0	19.0	9.00	7.10	3.84	2.64
THE30B31S	TM9E100C20MP12	21.0	XAHC30C	1175	29.0	24.2	15.00	12.50	29.0	18.7	9.00	7.00	3.80	2.50
THE30B31S	TM9E100C20MP12	21.0	XAHC36D	1150	29.6	24.3	14.50	12.50	28.6	18.5	9.00	7.20	3.82	2.58
THE30B31S	TM9E120D20MP11	24.5	CF/CM/CU36D	975	29.2	21.6	16.00	13.00	28.8	19.3	9.00	7.82	4.00	2.80
THE30B31S	TM9E120D20MP11	24.5	CF/CM/CU42D	975	29.8	22.2	16.00	13.00	28.4	18.9	9.00	7.82	4.04	2.78
THE30B31S	TM9V040A10MP12C	17.5	XAF/XAUB30C	950	28.0	21.5	14.00	11.50	29.0	19.0	8.20	6.60	3.40	2.28
THE30B31S	TM9V040A10MP12C	17.5	XAF/XAUB36D	900	28.2	20.6	14.00	11.50	28.8	18.7	8.55	6.90	3.54	2.44
THE30B31S	TM9V040A10MP12C	14.5	XAFA30D	800	27.8	19.8	14.00	11.50	28.6	18.4	8.55	6.85	3.48	2.42
THE30B31S	TM9V040A10MP12C	17.5	XAHB30C	800	28.0	20.1	14.00	11.50	28.0	19.0	8.20	6.50	3.42	2.38
THE30B31S	TM9V060B12MP11	17.5	CF/CM/CU36B	950	29.0	21.2	15.00	12.50	29.0	19.6	9.00	7.82	3.88	2.72
THE30B31S	TM9V060B12MP11	17.5	CF42B	925	29.8	21.4	15.50	13.00	28.6	19.0	9.00	7.82	3.90	2.70
THE30B31S	TM9V060B12MP12C	17.5	XAF/XAUB30C	1000	28.4	22.1	14.00	11.50	29.0	18.8	8.20	6.45	3.48	2.32
THE30B31S	TM9V060B12MP12C	17.5	XAF/XAUB36D	875	28.4	20.7	14.50	12.00	28.4	18.5	9.00	7.30	3.58	2.48
THE30B31S	TM9V060B12MP12C	21.0	XAFC30C	1000	28.4	22.1	14.00	11.50	29.0	18.8	8.20	6.35	3.48	2.32
THE30B31S	TM9V060B12MP12C	17.5	XAHB30C	875	28.0	21.0	14.50	12.00	28.0	18.9	8.55	6.85	3.50	2.40
THE30B31S	TM9V060B12MP12C	17.5	XAHB36D	925	28.4	21.5	14.00	12.00	28.2	18.4	8.55	6.95	3.54	2.46
THE30B31S	TM9V060B12MP12C	21.0	XAHC30C	875	28.0	21.0	14.50	12.00	28.0	18.9	8.55	6.85	3.52	2.42
THE30B31S	TM9V080B12MP11	17.5	CF/CM/CU36B	950	29.0	21.2	15.00	12.50	29.0	19.6	9.00	7.82	3.88	2.72
THE30B31S	TM9V080B12MP11	17.5	CF42B	925	29.8	21.4	15.50	13.00	28.6	19.0	9.00	7.82	3.90	2.70
THE30B31S	TM9V080B12MP12C	17.5	XAF/XAUB30C	975	28.4	22.0	14.50	12.00	29.0	18.6	8.55	6.90	3.52	2.34

SYSTEM CAPACITY - With High Efficiency Motor Furnaces¹ (Continued)

UNIT MODEL	FURNACE		COIL MODEL ²	COOLING					HEATING					
	MODEL	WIDTH		RATED CFM	NET MBH		SEER	EER	NET MBH		HSPF Region IV	HSPF Region V	COP	
					TOTAL	SENS.			47°F OD	17°F OD			47°F OD	17°F OD
THE30B31S	TM9V080B12MP12C	17.5	XAF/XAUB36D	975	28.8	21.5	14.50	12.00	28.6	18.7	9.00	7.30	3.68	2.52
THE30B31S	TM9V080B12MP12C	21.0	XAFC30C	975	28.4	22.0	14.50	12.00	29.0	18.6	8.55	6.90	3.52	2.34
THE30B31S	TM9V080B12MP12C	17.5	XAHB30C	975	28.4	22.1	14.50	12.00	29.0	18.9	8.55	6.85	3.58	2.42
THE30B31S	TM9V080B12MP12C	17.5	XAHB36D	800	28.0	20.2	14.50	12.00	27.8	18.0	8.55	6.85	3.48	2.48
THE30B31S	TM9V080B12MP12C	21.0	XAHC30C	975	28.4	22.1	14.50	12.00	29.0	18.8	8.55	6.90	3.60	2.44
THE30B31S	TM9V080C16MP11	21.0	CF/CM/CU36C	975	29.2	21.6	15.50	13.00	29.0	19.4	9.00	7.82	3.96	2.78
THE30B31S	TM9V080C16MP11	21.0	CF/CM/CU42C	975	29.6	22.0	15.75	13.00	28.6	19.0	9.00	7.82	3.98	2.74
THE30B31S	TM9V080C16MP12C	21.0	XAFC30C	950	28.4	21.9	14.50	12.00	28.0	18.5	8.55	6.90	3.52	2.36
THE30B31S	TM9V080C16MP12C	21.0	XAFC36D	950	28.8	21.4	14.50	12.00	28.6	18.5	9.00	7.20	3.68	2.54
THE30B31S	TM9V080C16MP12C	21.0	XAHC30C	950	28.4	21.9	14.50	12.00	29.0	18.8	8.55	6.80	3.60	2.44
THE30B31S	TM9V080C16MP12C	21.0	XAHC36D	950	28.8	22.0	14.50	12.00	28.2	18.2	9.00	7.20	3.62	2.52
THE30B31S	TM9V100C16MP11	21.0	CF/CM/CU36C	975	29.2	21.6	15.50	13.00	29.0	19.4	9.00	7.82	3.96	2.78
THE30B31S	TM9V100C16MP11	21.0	CF/CM/CU42C	975	29.6	22.0	15.75	13.00	28.6	19.0	9.00	7.82	3.98	2.74
THE30B31S	TM9V100C16MP12C	21.0	XAFC30C	1000	28.4	22.3	14.50	12.00	28.0	18.5	8.55	6.75	3.58	2.38
THE30B31S	TM9V100C16MP12C	21.0	XAFC36D	1000	29.0	21.8	15.00	12.50	28.6	18.6	9.00	7.10	3.74	2.58
THE30B31S	TM9V100C16MP12C	21.0	XAHC30C	1000	28.4	22.5	15.00	12.50	29.0	18.7	8.55	6.65	3.66	2.46
THE30B31S	TM9V100C16MP12C	21.0	XAHC36D	1000	29.0	22.6	14.50	12.50	28.2	18.3	9.00	7.30	3.70	2.54
THE30B31S	TM9V100C20MP11	21.0	CF/CM/CU36C	1075	29.0	22.4	15.00	12.50	29.2	19.6	8.75	7.60	3.96	2.74
THE30B31S	TM9V100C20MP12C	21.0	XAFC30C	1100	29.0	23.2	14.50	12.00	29.0	18.6	8.55	6.60	3.64	2.40
THE30B31S	TM9V100C20MP12C	21.0	XAFC36D	1100	29.4	22.6	14.50	12.00	28.8	18.9	9.00	7.20	3.80	2.60
THE30B31S	TM9V100C20MP12C	21.0	XAHC30C	1100	29.0	23.3	14.50	12.00	29.0	18.8	8.55	6.55	3.72	2.48
THE30B31S	TM9V100C20MP12C	21.0	XAHC36D	1125	29.4	23.9	14.50	12.00	28.6	18.6	9.00	7.10	3.78	2.56
THE30B31S	TM9V120D20MP11	24.5	CF/CM/CU36D	1125	29.8	23.2	16.00	13.00	29.0	19.3	9.25	8.04	4.12	2.84
THE30B31S	TM9V120D20MP11	24.5	CF/CM/CU42D	1125	29.8	23.2	15.50	13.00	29.0	19.7	9.00	7.82	4.04	2.80
THE30B31S	TM9Y040A10MP11	14.5	CF/CM36A	875	28.6	20.2	14.50	12.00	29.2	19.8	8.75	7.60	3.74	2.66
THE30B31S	TM9Y040A10MP11	17.5	XAF/XAUB30C	800	28.0	20.3	14.00	11.50	29.0	18.8	8.20	6.55	3.30	2.26
THE30B31S	TM9Y060B12MP11	17.5	CF/CM/CU36B	900	28.8	20.4	15.25	12.50	29.0	19.5	9.00	7.82	3.86	2.74
THE30B31S	TM9Y060B12MP11	17.5	CF42B	900	29.6	21.0	15.50	13.00	28.4	19.0	8.75	7.60	3.86	2.70
THE30B31S	TM9Y060B12MP11	17.5	XAF/XAUB30C	950	28.4	21.7	14.00	11.50	29.0	18.7	8.20	6.40	3.46	2.32
THE30B31S	TM9Y060B12MP11	17.5	XAF/XAUB36D	925	28.6	21.1	14.50	12.00	28.6	18.7	9.00	7.25	3.60	2.48
THE30B31S	TM9Y060B12MP11	21.0	XAFC30C	950	28.4	21.7	14.00	11.50	29.0	18.7	8.20	6.40	3.46	2.32
THE30B31S	TM9Y060B12MP11	17.5	XAHB30C	925	28.4	21.6	14.50	12.00	29.0	19.0	8.55	6.85	3.52	2.40
THE30B31S	TM9Y060B12MP11	17.5	XAHB36D	900	28.4	21.3	14.00	12.00	28.2	18.4	8.55	6.75	3.50	2.46
THE30B31S	TM9Y060B12MP11	21.0	XAHC30C	950	28.4	21.7	14.50	12.00	29.0	18.9	8.55	6.75	3.54	2.42
THE30B31S	TM9Y080B12MP11	17.5	CF/CM/CU36B	900	28.8	20.4	15.25	12.50	29.0	19.5	9.00	7.82	3.86	2.74
THE30B31S	TM9Y080B12MP11	17.5	CF42B	900	29.6	21.0	15.50	13.00	28.4	19.0	8.75	7.60	3.86	2.70
THE30B31S	TM9Y080B12MP11	17.5	XAF/XAUB30C	975	28.4	22.0	14.00	11.50	29.0	18.7	8.20	6.35	3.50	2.34

SYSTEM CAPACITY - With High Efficiency Motor Furnaces¹ (Continued)

UNIT MODEL	FURNACE		COIL MODEL ²	COOLING					HEATING					
	MODEL	WIDTH		RATED CFM	NET MBH		SEER	EER	NET MBH		HSPF Region IV	HSPF Region V	COP	
					TOTAL	SENS.			47°F OD	17°F OD			47°F OD	17°F OD
THE30B31S	TM9Y080B12MP11	17.5	XAF/XAUB36D	975	28.8	21.5	14.50	12.00	28.8	18.7	9.00	7.30	3.66	2.52
THE30B31S	TM9Y080B12MP11	21.0	XAFC30C	975	28.4	22.0	14.00	11.50	29.0	18.7	8.20	6.35	3.50	2.34
THE30B31S	TM9Y080B12MP11	17.5	XAHB30C	950	28.4	21.7	14.50	12.00	29.0	18.9	8.55	6.70	3.56	2.42
THE30B31S	TM9Y080B12MP11	17.5	XAHB36D	925	28.4	21.5	14.00	12.00	28.2	18.4	8.55	6.95	3.54	2.48
THE30B31S	TM9Y080B12MP11	21.0	XAHC30C	975	28.4	22.1	14.50	12.00	29.0	18.9	8.55	6.85	3.58	2.42
THE30B31S	TM9Y080C16MP11	21.0	CF/CM/CU36C	1000	29.2	21.6	15.00	12.50	29.2	19.6	8.75	7.60	3.90	2.72
THE30B31S	TM9Y080C16MP11	21.0	CF/CM/CU36D	1000	29.2	21.8	15.00	12.50	29.2	19.6	8.75	7.60	3.90	2.74
THE30B31S	TM9Y080C16MP11	21.0	CF/CM/CU42C	1000	29.4	22.0	15.25	12.50	28.8	19.2	8.75	7.60	3.90	2.70
THE30B31S	TM9Y080C16MP11	21.0	CF/CM/CU42D	1000	29.4	22.0	15.25	12.75	28.8	19.1	9.00	7.82	3.92	2.70
THE30B31S	TM9Y080C16MP11	21.0	XAFC30C	950	28.4	21.9	14.50	12.00	28.0	18.5	8.55	6.90	3.52	2.34
THE30B31S	TM9Y080C16MP11	21.0	XAFC36D	925	28.6	21.1	14.50	12.50	28.6	18.5	9.00	7.10	3.66	2.52
THE30B31S	TM9Y080C16MP11	21.0	XAHC30C	950	28.4	21.9	15.00	12.50	29.0	18.8	8.55	6.80	3.60	2.44
THE30B31S	TM9Y080C16MP11	21.0	XAHC36D	925	28.6	21.7	14.50	12.50	28.0	18.2	9.00	7.25	3.60	2.50
THE30B31S	TM9Y100C16MP11	21.0	CF/CM/CU36C	1000	29.2	21.6	15.00	12.50	29.2	19.6	8.75	7.60	3.90	2.72
THE30B31S	TM9Y100C16MP11	21.0	CF/CM/CU36D	1000	29.2	21.8	15.00	12.50	29.2	19.6	8.75	7.60	3.90	2.74
THE30B31S	TM9Y100C16MP11	21.0	CF/CM/CU42C	1000	29.4	22.0	15.25	12.50	28.8	19.2	8.75	7.60	3.90	2.70
THE30B31S	TM9Y100C16MP11	21.0	CF/CM/CU42D	1000	29.4	22.0	15.25	12.75	28.8	19.1	9.00	7.82	3.92	2.70
THE30B31S	TM9Y100C16MP11	21.0	XAFC30C	950	28.4	21.9	14.50	12.00	28.0	18.5	8.55	6.90	3.52	2.36
THE30B31S	TM9Y100C16MP11	21.0	XAFC36D	925	28.8	21.3	15.00	12.50	28.4	18.4	9.00	7.30	3.66	2.52
THE30B31S	TM9Y100C16MP11	21.0	XAHC30C	925	28.4	21.8	15.00	12.50	28.0	18.8	8.55	6.90	3.58	2.44
THE30B31S	TM9Y100C16MP11	21.0	XAHC36D	925	28.6	21.7	14.50	12.50	28.0	18.2	9.00	7.25	3.60	2.52
THE30B31S	TM9Y100C20MP11	21.0	CF/CM/CU36C	975	29.2	21.6	15.50	12.75	29.0	19.4	9.00	7.82	3.96	2.78
THE30B31S	TM9Y100C20MP11	21.0	CF/CM/CU36D	975	29.2	21.6	15.75	13.00	29.0	19.4	9.00	7.82	3.98	2.78
THE30B31S	TM9Y100C20MP11	21.0	CF/CM/CU42C	975	29.6	22.2	16.00	13.00	28.6	18.9	9.00	7.82	4.00	2.76
THE30B31S	TM9Y100C20MP11	21.0	CF/CM/CU42D	975	29.6	22.2	16.00	13.00	28.6	18.9	9.00	7.82	4.02	2.76
THE30B31S	TM9Y100C20MP11	21.0	XAFC30C	1150	29.0	23.7	14.50	12.00	29.0	18.7	8.55	6.80	3.68	2.40
THE30B31S	TM9Y100C20MP11	21.0	XAFC36D	1125	29.6	22.9	14.50	12.00	29.0	19.0	9.00	7.20	3.80	2.60
THE30B31S	TM9Y100C20MP11	21.0	XAHC30C	1125	29.0	23.7	14.50	12.00	29.0	18.8	8.55	6.55	3.72	2.46
THE30B31S	TM9Y100C20MP11	21.0	XAHC36D	1100	29.4	23.7	14.50	12.00	28.6	18.6	9.00	7.15	3.74	2.54
THE30B31S	TM9Y120D20MP11	24.5	CF/CM/CU36D	975	29.2	21.6	16.00	13.00	28.8	19.3	9.00	7.82	4.00	2.80
THE30B31S	TM9Y120D20MP11	24.5	CF/CM/CU42D	975	29.8	22.2	16.00	13.00	28.4	18.9	9.00	7.82	4.04	2.78
THE30B31S	TMLE040A12MP11	17.5	XAF/XAUB30C	1025	28.4	22.4	14.50	12.00	29.0	18.7	8.55	6.80	3.56	2.36
THE30B31S	TMLE040A12MP11	17.5	XAF/XAUB36D	850	28.4	20.6	15.00	12.50	28.4	18.3	9.00	7.20	3.60	2.50
THE30B31S	TMLE040A12MP11	14.5	XAFA30D	975	28.8	21.5	14.50	12.00	28.8	18.7	9.00	7.15	3.64	2.52
THE30B31S	TMLE040A12MP11	17.5	XAHB30C	1000	28.4	22.3	14.50	12.00	29.0	18.8	8.55	6.90	3.62	2.44
THE30B31S	TMLE040A12MP11	17.5	XAHB36D	825	28.2	20.5	14.50	12.00	27.8	18.1	8.55	6.75	3.52	2.48
THE30B31S	TMLE060A12MP11	17.5	XAF/XAUB30C	1025	28.4	22.4	14.50	12.00	29.0	18.7	8.55	6.80	3.56	2.36

SYSTEM CAPACITY - With High Efficiency Motor Furnaces¹ (Continued)

UNIT MODEL	FURNACE		COIL MODEL ²	COOLING					HEATING					
	MODEL	WIDTH		RATED CFM	NET MBH		SEER	EER	NET MBH		HSPF Region IV	HSPF Region V	COP	
					TOTAL	SENS.			47°F OD	17°F OD			47°F OD	17°F OD
THE30B31S	TMLE060A12MP11	17.5	XAF/XAUB36D	850	28.4	20.6	15.00	12.50	28.4	18.3	9.00	7.20	3.60	2.48
THE30B31S	TMLE060A12MP11	14.5	XAFA30D	950	28.6	21.2	14.50	12.00	28.8	18.7	9.00	7.20	3.62	2.50
THE30B31S	TMLE060A12MP11	17.5	XAHB30C	1000	28.4	22.3	14.50	12.00	29.0	18.9	8.55	6.90	3.60	2.44
THE30B31S	TMLE060A12MP11	17.5	XAHB36D	825	28.2	20.5	14.50	12.00	27.8	18.1	8.55	6.75	3.50	2.48
THE30B31S	TMLE080B12MP11	17.5	XAF/XAUB30C	1025	28.4	22.4	14.50	12.00	29.0	18.7	8.55	6.80	3.56	2.36
THE30B31S	TMLE080B12MP11	17.5	XAF/XAUB36D	875	28.4	20.7	14.50	12.50	28.4	18.4	9.00	7.25	3.62	2.50
THE30B31S	TMLE080B12MP11	21.0	XAFC30C	1025	28.4	22.4	14.50	12.00	29.0	18.7	8.55	6.80	3.56	2.36
THE30B31S	TMLE080B12MP11	17.5	XAHB30C	1000	28.4	22.3	14.50	12.00	29.0	18.9	8.55	6.85	3.60	2.44
THE30B31S	TMLE080B12MP11	17.5	XAHB36D	850	28.2	20.7	14.50	12.00	27.8	18.1	8.55	6.80	3.52	2.48
THE30B31S	TMLE080C16MP11	21.0	XAFC30C	1075	29.0	23.1	14.50	12.00	29.0	18.6	8.55	6.60	3.64	2.40
THE30B31S	TMLE080C16MP11	21.0	XAFC36D	1050	29.2	22.2	15.00	12.50	28.8	18.7	9.00	7.25	3.76	2.58
THE30B31S	TMLE080C16MP11	21.0	XAHC36D	1025	29.2	23.0	14.50	12.50	28.4	18.4	9.00	7.20	3.70	2.54
THE30B31S	TMLE080C20MP11	21.0	XAFC36D	1200	30.0	23.6	15.00	12.50	29.0	19.1	9.00	7.20	3.90	2.66
THE30B31S	TMLE080C20MP11	21.0	XAHC36D	1175	29.8	24.6	14.50	12.50	28.8	18.6	9.00	7.10	3.84	2.58
THE30B31S	TMLE100B12MP11	17.5	XAF/XAUB30C	1075	29.0	22.9	14.50	12.00	29.0	18.7	8.55	6.75	3.58	2.36
THE30B31S	TMLE100B12MP11	17.5	XAF/XAUB36D	875	28.4	20.7	15.00	12.50	28.4	18.4	9.00	7.25	3.62	2.50
THE30B31S	TMLE100B12MP11	21.0	XAFC30C	1075	29.0	22.9	14.50	12.00	29.0	18.7	8.55	6.75	3.60	2.36
THE30B31S	TMLE100B12MP11	17.5	XAHB30C	1050	28.4	22.8	14.50	12.00	29.0	18.9	8.55	6.80	3.64	2.44
THE30B31S	TMLE100B12MP11	17.5	XAHB36D	850	28.2	20.7	14.50	12.00	27.8	18.1	8.55	6.80	3.52	2.48
THE30B31S	TMLE100C16MP11	21.0	XAFC30C	1100	29.0	23.2	15.00	12.50	29.0	18.6	8.55	6.80	3.66	2.40
THE30B31S	TMLE100C16MP11	21.0	XAFC36D	875	28.6	20.9	15.00	12.50	28.4	18.3	9.00	7.15	3.64	2.52
THE30B31S	TMLE100C16MP11	21.0	XAHC36D	1050	29.2	23.1	14.50	12.50	28.4	18.4	9.00	7.25	3.72	2.54
THE30B31S	TMLE100C20MP11	21.0	XAFC36D	1200	30.0	23.6	15.00	12.50	29.0	19.1	9.00	7.20	3.90	2.66
THE30B31S	TMLE100C20MP11	21.0	XAHC36D	1175	29.8	24.6	14.50	12.50	28.8	18.6	9.00	7.20	3.84	2.58
THE30B31S	TMLE120C16MP11	21.0	XAFC30C	1100	29.0	23.2	15.00	12.50	29.0	18.6	8.55	6.80	3.66	2.40
THE30B31S	TMLE120C16MP11	21.0	XAFC36D	900	28.6	21.0	15.00	12.50	28.4	18.3	9.00	7.10	3.66	2.52
THE30B31S	TMLE120C16MP11	21.0	XAHC36D	1050	29.2	23.1	14.50	12.50	28.4	18.4	9.00	7.25	3.72	2.54
THE30B31S	TMLV060A12MP11	14.5	CF/CM36A	975	28.8	21.2	14.25	12.00	29.4	19.8	8.75	7.60	3.80	2.66
THE30B31S	TMLV060A12MP12C	17.5	XAF/XAUB30C	975	28.4	22.0	14.50	12.00	29.0	18.6	8.55	6.85	3.52	2.34
THE30B31S	TMLV060A12MP12C	17.5	XAF/XAUB36D	800	28.2	20.2	15.00	12.50	28.2	18.1	8.55	6.90	3.58	2.48
THE30B31S	TMLV060A12MP12C	14.5	XAFA30D	875	28.4	20.7	14.50	12.00	28.4	18.4	9.00	7.20	3.60	2.48
THE30B31S	TMLV060A12MP12C	17.5	XAHB30C	975	28.4	22.1	14.50	12.00	29.0	18.9	8.55	6.85	3.58	2.42
THE30B31S	TMLV060A12MP12C	17.5	XAHB36D	875	28.4	21.1	14.50	12.00	28.0	18.2	8.55	6.95	3.54	2.48
THE30B31S	TMLV080B12MP11	17.5	CF/CM/CU36B	1025	29.2	21.8	14.75	12.50	29.4	19.7	8.75	7.60	3.86	2.70
THE30B31S	TMLV080B12MP11	17.5	CF42B	1000	29.4	21.8	15.00	12.50	29.0	19.3	8.75	7.60	3.86	2.66
THE30B31S	TMLV080C16MP11	21.0	CF/CM/CU36C	925	28.8	20.6	15.25	12.75	28.8	19.5	9.00	7.82	3.88	2.76
THE30B31S	TMLV080C16MP11	21.0	CF/CM/CU42C	925	29.8	21.4	15.75	13.00	28.4	19.0	9.00	7.82	3.92	2.72

SYSTEM CAPACITY - With High Efficiency Motor Furnaces¹ (Continued)

UNIT MODEL	FURNACE		COIL MODEL ²	COOLING					HEATING					
	MODEL	WIDTH		RATED CFM	NET MBH		SEER	EER	NET MBH		HSPF Region IV	HSPF Region V	COP	
					TOTAL	SENS.			47°F OD	17°F OD			47°F OD	17°F OD
THE30B31S	TMLV100C16MP11	21.0	CF/CM/CU36C	925	28.8	20.6	15.25	12.75	28.8	19.5	9.00	7.82	3.88	2.76
THE30B31S	TMLV100C16MP11	21.0	CF/CM/CU42C	925	29.8	21.4	15.75	13.00	28.4	19.0	9.00	7.82	3.92	2.72
THE30B31S	TMLV100C16MP12C	21.0	XAFC30C	950	28.4	21.9	14.50	12.00	28.0	18.5	8.55	6.90	3.54	2.36
THE30B31S	TMLV100C16MP12C	21.0	XAFC36D	950	28.8	21.4	15.00	12.50	28.4	18.5	9.00	7.25	3.70	2.54
THE30B31S	TMLV100C16MP12C	21.0	XAHC36D	950	28.8	22.0	14.50	12.50	28.0	18.2	9.00	7.10	3.64	2.52
THE30B31S	TMLV120C20MP12C	21.0	XAFC30C	1150	29.0	23.7	15.00	12.50	29.0	18.6	8.55	6.65	3.74	2.42
THE30B31S	TMLV120C20MP12C	21.0	XAFC36D	1150	29.8	23.2	15.00	12.50	28.8	18.9	9.00	7.00	3.86	2.64
THE30B31S	TMLV120C20MP12C	21.0	XAHC36D	1125	29.6	24.1	14.50	12.50	28.6	18.5	9.00	7.00	3.80	2.58
THE30B31S	TMLX060A12MP11	14.5	CF/CM36A	975	29.0	21.2	15.00	12.50	29.2	19.6	8.75	7.60	3.86	2.72
THE30B31S	TMLX080B12MP11	17.5	CF/CM/CU36B	1000	29.2	21.8	15.25	12.75	29.2	19.6	9.00	7.82	3.92	2.74
THE30B31S	TMLX080B12MP11	17.5	CF42B	1000	29.4	22.0	15.25	12.50	28.8	19.1	9.00	7.82	3.92	2.70
THE30B31S	TMLX080C16MP11	21.0	CF/CM/CU36C	1000	29.2	21.8	15.25	12.75	29.0	19.5	9.00	7.82	3.94	2.76
THE30B31S	TMLX080C16MP11	21.0	CF/CM/CU36D	1000	29.2	21.8	15.50	12.75	29.0	19.5	9.00	7.82	3.94	2.76
THE30B31S	TMLX080C16MP11	21.0	CF/CM/CU42C	1000	29.6	22.0	15.50	13.00	28.6	19.1	9.00	7.82	3.96	2.72
THE30B31S	TMLX080C16MP11	21.0	CF/CM/CU42D	1000	29.6	22.0	15.50	12.75	28.6	19.0	9.00	7.82	3.96	2.74
THE30B31S	TMLX100C16MP11	21.0	CF/CM/CU36C	1000	29.2	21.8	15.25	12.75	29.0	19.5	9.00	7.82	3.94	2.76
THE30B31S	TMLX100C16MP11	21.0	CF/CM/CU36D	1000	29.2	21.8	15.50	12.75	29.0	19.5	9.00	7.82	3.94	2.76
THE30B31S	TMLX100C16MP11	21.0	CF/CM/CU42C	1000	29.6	22.0	15.50	13.00	28.6	19.1	9.00	7.82	3.96	2.72
THE30B31S	TMLX100C16MP11	21.0	CF/CM/CU42D	1000	29.6	22.0	15.50	12.75	28.6	19.0	9.00	7.82	3.96	2.74
THE30B31S	TMLX100C20MP11	21.0	CF/CM/CU36C	1000	29.2	21.8	15.25	12.75	29.0	19.5	9.00	7.82	3.94	2.76
THE30B31S	TMLX100C20MP11	21.0	CF/CM/CU36D	1000	29.2	21.8	15.50	12.75	29.0	19.5	9.00	7.82	3.94	2.76
THE30B31S	TMLX100C20MP11	21.0	CF/CM/CU42C	1000	29.6	22.0	15.50	13.00	28.6	19.1	9.00	7.82	3.96	2.72
THE30B31S	TMLX100C20MP11	21.0	CF/CM/CU42D	1000	29.6	22.0	15.50	12.75	28.6	19.0	9.00	7.82	3.96	2.74
THE30B31S	TMLX120C20MP11	21.0	CF/CM/CU36C	1000	29.2	21.8	15.25	12.75	29.0	19.5	9.00	7.82	3.94	2.76
THE30B31S	TMLX120C20MP11	21.0	CF/CM/CU36D	1000	29.2	21.8	15.50	12.75	29.0	19.5	9.00	7.82	3.94	2.76
THE30B31S	TMLX120C20MP11	21.0	CF/CM/CU42C	1000	29.6	22.0	15.50	13.00	28.6	19.1	9.00	7.82	3.96	2.72
THE30B31S	TMLX120C20MP11	21.0	CF/CM/CU42D	1000	29.6	22.0	15.50	12.75	28.6	19.0	9.00	7.82	3.96	2.74
THE30B31S	TP9C060B12MP12C	17.5	CF/CM/CU36B	950	29.0	21.2	15.00	12.50	29.0	19.6	9.00	7.82	3.88	2.72
THE30B31S	TP9C060B12MP12C	17.5	CF42B	925	29.8	21.4	15.50	13.00	28.6	19.0	9.00	7.82	3.90	2.70
THE30B31S	TP9C060B12MP13C	17.5	XAF/XAUB30C	1000	28.4	22.1	14.00	11.50	29.0	18.8	8.20	6.45	3.48	2.32
THE30B31S	TP9C060B12MP13C	17.5	XAF/XAUB36D	875	28.4	20.7	14.50	12.00	28.4	18.5	9.00	7.30	3.58	2.48
THE30B31S	TP9C060B12MP13C	21.0	XAFC30C	1000	28.4	22.1	14.00	11.50	29.0	18.8	8.20	6.35	3.48	2.32
THE30B31S	TP9C060B12MP13C	17.5	XAHB30C	875	28.0	21.0	14.50	12.00	28.0	18.9	8.55	6.85	3.50	2.40
THE30B31S	TP9C060B12MP13C	17.5	XAHB36D	925	28.4	21.5	14.00	12.00	28.2	18.4	8.55	6.95	3.54	2.46
THE30B31S	TP9C060B12MP13C	21.0	XAHC30C	875	28.0	21.0	14.50	12.00	28.0	18.9	8.55	6.85	3.52	2.42
THE30B31S	TP9C080B12MP12C	17.5	CF/CM/CU36B	950	29.0	21.2	15.00	12.50	29.0	19.6	9.00	7.82	3.88	2.72
THE30B31S	TP9C080B12MP12C	17.5	CF42B	925	29.8	21.4	15.50	13.00	28.6	19.0	9.00	7.82	3.90	2.70

SYSTEM CAPACITY - With High Efficiency Motor Furnaces¹ (Continued)

UNIT MODEL	FURNACE		COIL MODEL ²	COOLING					HEATING					
	MODEL	WIDTH		RATED CFM	NET MBH		SEER	EER	NET MBH		HSPF Region IV	HSPF Region V	COP	
					TOTAL	SENS.			47°F OD	17°F OD			47°F OD	17°F OD
THE30B31S	TP9C080B12MP13C	17.5	XAF/XAUB30C	975	28.4	22.0	14.50	12.00	29.0	18.6	8.55	6.90	3.52	2.34
THE30B31S	TP9C080B12MP13C	17.5	XAF/XAUB36D	975	28.8	21.5	14.50	12.00	28.6	18.7	9.00	7.30	3.68	2.52
THE30B31S	TP9C080B12MP13C	21.0	XAFC30C	975	28.4	22.0	14.50	12.00	29.0	18.6	8.55	6.90	3.52	2.34
THE30B31S	TP9C080B12MP13C	17.5	XAHB30C	975	28.4	22.1	14.50	12.00	29.0	18.9	8.55	6.85	3.58	2.42
THE30B31S	TP9C080B12MP13C	17.5	XAHB36D	800	28.0	20.2	14.50	12.00	27.8	18.0	8.55	6.85	3.48	2.48
THE30B31S	TP9C080B12MP13C	21.0	XAHC30C	975	28.4	22.1	14.50	12.00	29.0	18.8	8.55	6.90	3.60	2.44
THE30B31S	TP9C080C16MP12C	21.0	CF/CM/CU36C	975	29.2	21.6	15.50	13.00	29.0	19.4	9.00	7.82	3.96	2.78
THE30B31S	TP9C080C16MP12C	21.0	CF/CM/CU42C	975	29.6	22.0	15.75	13.00	28.6	19.0	9.00	7.82	3.98	2.74
THE30B31S	TP9C080C16MP13C	21.0	XAFC30C	950	28.4	21.9	14.50	12.00	28.0	18.5	8.55	6.90	3.52	2.36
THE30B31S	TP9C080C16MP13C	21.0	XAFC36D	950	28.8	21.4	14.50	12.00	28.6	18.5	9.00	7.20	3.68	2.54
THE30B31S	TP9C080C16MP13C	21.0	XAHC30C	950	28.4	21.9	14.50	12.00	29.0	18.8	8.55	6.80	3.60	2.44
THE30B31S	TP9C080C16MP13C	21.0	XAHC36D	950	28.8	22.0	14.50	12.00	28.2	18.2	9.00	7.20	3.62	2.52
THE30B31S	TP9C100C16MP12C	21.0	CF/CM/CU36C	975	29.2	21.6	15.50	13.00	29.0	19.4	9.00	7.82	3.96	2.78
THE30B31S	TP9C100C16MP12C	21.0	CF/CM/CU42C	975	29.6	22.0	15.75	13.00	28.6	19.0	9.00	7.82	3.98	2.74
THE30B31S	TP9C100C16MP13C	21.0	XAFC30C	1000	28.4	22.3	14.50	12.00	28.0	18.5	8.55	6.75	3.58	2.38
THE30B31S	TP9C100C16MP13C	21.0	XAFC36D	1000	29.0	21.8	15.00	12.50	28.6	18.6	9.00	7.10	3.74	2.58
THE30B31S	TP9C100C16MP13C	21.0	XAHC30C	1000	28.4	22.5	15.00	12.50	29.0	18.7	8.55	6.65	3.66	2.46
THE30B31S	TP9C100C16MP13C	21.0	XAHC36D	1000	29.0	22.6	14.50	12.50	28.2	18.3	9.00	7.30	3.70	2.54
THE30B31S	TP9C100C20MP12C	21.0	CF/CM/CU36C	1075	29.0	22.4	15.00	12.50	29.2	19.6	8.75	7.60	3.96	2.74
THE30B31S	TP9C100C20MP13C	21.0	XAFC30C	1100	29.0	23.2	14.50	12.00	29.0	18.6	8.55	6.60	3.64	2.40
THE30B31S	TP9C100C20MP13C	21.0	XAFC36D	1100	29.4	22.6	14.50	12.00	28.8	18.9	9.00	7.20	3.80	2.60
THE30B31S	TP9C100C20MP13C	21.0	XAHC30C	1100	29.0	23.3	14.50	12.00	29.0	18.8	8.55	6.55	3.72	2.48
THE30B31S	TP9C100C20MP13C	21.0	XAHC36D	1125	29.4	23.9	14.50	12.00	28.6	18.6	9.00	7.10	3.78	2.56
THE30B31S	TP9C120D20MP12C	24.5	CF/CM/CU36D	1125	29.8	23.2	16.00	13.00	29.0	19.3	9.25	8.04	4.12	2.84
THE30B31S	TP9C120D20MP12C	24.5	CF/CM/CU42D	1125	29.8	23.2	15.50	13.00	29.0	19.7	9.00	7.82	4.04	2.80
THE30B31S	TPLC060A12MP12C	14.5	CF/CM36A	975	28.8	21.2	14.25	12.00	29.4	19.8	8.75	7.60	3.80	2.66
THE30B31S	TPLC060A12MP13C	17.5	XAF/XAUB30C	975	28.4	22.0	14.50	12.00	29.0	18.6	8.55	6.85	3.52	2.34
THE30B31S	TPLC060A12MP13C	17.5	XAF/XAUB36D	800	28.2	20.2	15.00	12.50	28.2	18.1	8.55	6.90	3.58	2.48
THE30B31S	TPLC060A12MP13C	14.5	XAFA30D	875	28.4	20.7	14.50	12.00	28.4	18.4	9.00	7.20	3.60	2.48
THE30B31S	TPLC060A12MP13C	17.5	XAHB30C	975	28.4	22.1	14.50	12.00	29.0	18.9	8.55	6.85	3.58	2.42
THE30B31S	TPLC060A12MP13C	17.5	XAHB36D	875	28.4	21.1	14.50	12.00	28.0	18.2	8.55	6.95	3.54	2.48
THE30B31S	TPLC080B12MP12C	17.5	CF/CM/CU36B	1025	29.2	21.8	14.75	12.50	29.4	19.7	8.75	7.60	3.86	2.70
THE30B31S	TPLC080B12MP12C	17.5	CF42B	1000	29.4	21.8	15.00	12.50	29.0	19.3	8.75	7.60	3.86	2.66
THE30B31S	TPLC080B12MP13C	17.5	XAF/XAUB30C	1000	28.4	22.1	14.00	11.50	29.0	18.8	8.20	6.45	3.48	2.32
THE30B31S	TPLC080B12MP13C	17.5	XAF/XAUB36D	900	28.4	20.8	14.50	12.00	28.6	18.5	9.00	7.25	3.60	2.48
THE30B31S	TPLC080B12MP13C	21.0	XAFC30C	1000	28.4	22.1	14.00	11.50	29.0	18.8	8.20	6.45	3.48	2.32
THE30B31S	TPLC080B12MP13C	17.5	XAHB30C	900	28.0	21.2	14.50	12.00	29.0	19.0	8.55	6.85	3.50	2.40

SYSTEM CAPACITY - With High Efficiency Motor Furnaces¹ (Continued)

UNIT MODEL	FURNACE		COIL MODEL ²	COOLING					HEATING					
	MODEL	WIDTH		RATED CFM	NET MBH		SEER	EER	NET MBH		HSPF Region IV	HSPF Region V	COP	
					TOTAL	SENS.			47°F OD	17°F OD			47°F OD	17°F OD
THE30B31S	TPLC080B12MP13C	17.5	XAHB36D	900	28.2	21.1	14.00	11.50	28.2	18.4	8.55	6.75	3.52	2.46
THE30B31S	TPLC080C16MP12C	21.0	CF/CM/CU36C	925	28.8	20.6	15.25	12.75	28.8	19.5	9.00	7.82	3.88	2.76
THE30B31S	TPLC080C16MP12C	21.0	CF/CM/CU42C	925	29.8	21.4	15.75	13.00	28.4	19.0	9.00	7.82	3.92	2.72
THE30B31S	TPLC080C16MP13C	21.0	XAFC30C	950	28.4	21.9	14.50	12.00	28.0	18.5	8.55	6.90	3.54	2.36
THE30B31S	TPLC080C16MP13C	21.0	XAFC36D	950	28.8	21.4	15.00	12.50	28.4	18.5	9.00	7.25	3.70	2.54
THE30B31S	TPLC080C16MP13C	21.0	XAHC36D	950	28.8	22.0	14.50	12.50	28.0	18.2	9.00	7.10	3.64	2.52
THE30B31S	TPLC100C16MP12C	21.0	CF/CM/CU36C	925	28.8	20.6	15.25	12.75	28.8	19.5	9.00	7.82	3.88	2.76
THE30B31S	TPLC100C16MP12C	21.0	CF/CM/CU42C	925	29.8	21.4	15.75	13.00	28.4	19.0	9.00	7.82	3.92	2.72
THE30B31S	TPLC100C16MP13C	21.0	XAFC30C	950	28.4	21.9	14.50	12.00	28.0	18.5	8.55	6.90	3.54	2.36
THE30B31S	TPLC100C16MP13C	21.0	XAFC36D	950	28.8	21.4	15.00	12.50	28.4	18.5	9.00	7.25	3.70	2.54
THE30B31S	TPLC100C16MP13C	21.0	XAHC36D	950	28.8	22.0	14.50	12.50	28.0	18.2	9.00	7.10	3.64	2.52
THE30B31S	TPLC100C20MP13C	21.0	XAFC30C	1150	29.0	23.7	15.00	12.50	29.0	18.6	8.55	6.65	3.74	2.42
THE30B31S	TPLC100C20MP13C	21.0	XAFC36D	1150	29.8	23.2	15.00	12.50	28.8	18.9	9.00	7.00	3.86	2.64
THE30B31S	TPLC100C20MP13C	21.0	XAHC36D	1125	29.6	24.1	14.50	12.50	28.6	18.5	9.00	7.00	3.80	2.58
THE30B31S	TPLC120C20MP13C	21.0	XAFC30C	1150	29.0	23.7	15.00	12.50	29.0	18.6	8.55	6.65	3.74	2.42
THE30B31S	TPLC120C20MP13C	21.0	XAFC36D	1150	29.8	23.2	15.00	12.50	28.8	18.9	9.00	7.00	3.86	2.64
THE30B31S	TPLC120C20MP13C	21.0	XAHC36D	1125	29.6	24.1	14.50	12.50	28.6	18.5	9.00	7.00	3.80	2.58
THE30B31S	YP9C060B12MP12C	17.5	CF/CM/CU36B	950	29.0	21.2	15.00	12.50	29.0	19.6	9.00	7.82	3.88	2.72
THE30B31S	YP9C060B12MP12C	17.5	CF42B	925	29.8	21.4	15.50	13.00	28.6	19.0	9.00	7.82	3.90	2.70
THE30B31S	YP9C060B12MP13C	17.5	XAF/XAUB30C	1000	28.4	22.1	14.00	11.50	29.0	18.8	8.20	6.45	3.48	2.32
THE30B31S	YP9C060B12MP13C	17.5	XAF/XAUB36D	875	28.4	20.7	14.50	12.00	28.4	18.5	9.00	7.30	3.58	2.48
THE30B31S	YP9C060B12MP13C	21.0	XAFC30C	1000	28.4	22.1	14.00	11.50	29.0	18.8	8.20	6.35	3.48	2.32
THE30B31S	YP9C060B12MP13C	17.5	XAHB30C	875	28.0	21.0	14.50	12.00	28.0	18.9	8.55	6.85	3.50	2.40
THE30B31S	YP9C060B12MP13C	17.5	XAHB36D	925	28.4	21.5	14.00	12.00	28.2	18.4	8.55	6.95	3.54	2.46
THE30B31S	YP9C060B12MP13C	21.0	XAHC30C	875	28.0	21.0	14.50	12.00	28.0	18.9	8.55	6.85	3.52	2.42
THE30B31S	YP9C080B12MP12C	17.5	CF/CM/CU36B	950	29.0	21.2	15.00	12.50	29.0	19.6	9.00	7.82	3.88	2.72
THE30B31S	YP9C080B12MP12C	17.5	CF42B	925	29.8	21.4	15.50	13.00	28.6	19.0	9.00	7.82	3.90	2.70
THE30B31S	YP9C080B12MP13C	17.5	XAF/XAUB30C	975	28.4	22.0	14.50	12.00	29.0	18.6	8.55	6.90	3.52	2.34
THE30B31S	YP9C080B12MP13C	17.5	XAF/XAUB36D	975	28.8	21.5	14.50	12.00	28.6	18.7	9.00	7.30	3.68	2.52
THE30B31S	YP9C080B12MP13C	21.0	XAFC30C	975	28.4	22.0	14.50	12.00	29.0	18.6	8.55	6.90	3.52	2.34
THE30B31S	YP9C080B12MP13C	17.5	XAHB30C	975	28.4	22.1	14.50	12.00	29.0	18.9	8.55	6.85	3.58	2.42
THE30B31S	YP9C080B12MP13C	17.5	XAHB36D	800	28.0	20.2	14.50	12.00	27.8	18.0	8.55	6.85	3.48	2.48
THE30B31S	YP9C080B12MP13C	21.0	XAHC30C	975	28.4	22.1	14.50	12.00	29.0	18.8	8.55	6.90	3.60	2.44
THE30B31S	YP9C080C16MP12C	21.0	CF/CM/CU36C	975	29.2	21.6	15.50	13.00	29.0	19.4	9.00	7.82	3.96	2.78
THE30B31S	YP9C080C16MP12C	21.0	CF/CM/CU42C	975	29.6	22.0	15.75	13.00	28.6	19.0	9.00	7.82	3.98	2.74
THE30B31S	YP9C080C16MP13C	21.0	XAFC30C	950	28.4	21.9	14.50	12.00	28.0	18.5	8.55	6.90	3.52	2.36
THE30B31S	YP9C080C16MP13C	21.0	XAFC36D	950	28.8	21.4	14.50	12.00	28.6	18.5	9.00	7.20	3.68	2.54

SYSTEM CAPACITY - With High Efficiency Motor Furnaces¹ (Continued)

UNIT MODEL	FURNACE		COIL MODEL ²	COOLING					HEATING					
	MODEL	WIDTH		RATED CFM	NET MBH		SEER	EER	NET MBH		HSPF Region IV	HSPF Region V	COP	
					TOTAL	SENS.			47°F OD	17°F OD			47°F OD	17°F OD
THE30B31S	YP9C080C16MP13C	21.0	XAHC30C	950	28.4	21.9	14.50	12.00	29.0	18.8	8.55	6.80	3.60	2.44
THE30B31S	YP9C080C16MP13C	21.0	XAHC36D	950	28.8	22.0	14.50	12.00	28.2	18.2	9.00	7.20	3.62	2.52
THE30B31S	YP9C100C16MP12C	21.0	CF/CM/CU36C	975	29.2	21.6	15.50	13.00	29.0	19.4	9.00	7.82	3.96	2.78
THE30B31S	YP9C100C16MP12C	21.0	CF/CM/CU42C	975	29.6	22.0	15.75	13.00	28.6	19.0	9.00	7.82	3.98	2.74
THE30B31S	YP9C100C16MP13C	21.0	XAFC30C	1000	28.4	22.3	14.50	12.00	28.0	18.5	8.55	6.75	3.58	2.38
THE30B31S	YP9C100C16MP13C	21.0	XAFC36D	1000	29.0	21.8	15.00	12.50	28.6	18.6	9.00	7.10	3.74	2.58
THE30B31S	YP9C100C16MP13C	21.0	XAHC30C	1000	28.4	22.5	15.00	12.50	29.0	18.7	8.55	6.65	3.66	2.46
THE30B31S	YP9C100C16MP13C	21.0	XAHC36D	1000	29.0	22.6	14.50	12.50	28.2	18.3	9.00	7.30	3.70	2.54
THE30B31S	YP9C100C20MP12C	21.0	CF/CM/CU36C	1075	29.0	22.4	15.00	12.50	29.2	19.6	8.75	7.60	3.96	2.74
THE30B31S	YP9C100C20MP13C	21.0	XAFC30C	1100	29.0	23.2	14.50	12.00	29.0	18.6	8.55	6.60	3.64	2.40
THE30B31S	YP9C100C20MP13C	21.0	XAFC36D	1100	29.4	22.6	14.50	12.00	28.8	18.9	9.00	7.20	3.80	2.60
THE30B31S	YP9C100C20MP13C	21.0	XAHC30C	1100	29.0	23.3	14.50	12.00	29.0	18.8	8.55	6.55	3.72	2.48
THE30B31S	YP9C100C20MP13C	21.0	XAHC36D	1125	29.4	23.9	14.50	12.00	28.6	18.6	9.00	7.10	3.78	2.56
THE30B31S	YP9C120D20MP12C	24.5	CF/CM/CU36D	1125	29.8	23.2	16.00	13.00	29.0	19.3	9.25	8.04	4.12	2.84
THE30B31S	YP9C120D20MP12C	24.5	CF/CM/CU42D	1125	29.8	23.2	15.50	13.00	29.0	19.7	9.00	7.82	4.04	2.80
THE30B31S	YPLC060A12MP12C	14.5	CF/CM36A	975	28.8	21.2	14.25	12.00	29.4	19.8	8.75	7.60	3.80	2.66
THE30B31S	YPLC060A12MP13C	17.5	XAF/XAUB30C	975	28.4	22.0	14.50	12.00	29.0	18.6	8.55	6.85	3.52	2.34
THE30B31S	YPLC060A12MP13C	17.5	XAF/XAUB36D	800	28.2	20.2	15.00	12.50	28.2	18.1	8.55	6.90	3.58	2.48
THE30B31S	YPLC060A12MP13C	14.5	XAFA30D	875	28.4	20.7	14.50	12.00	28.4	18.4	9.00	7.20	3.60	2.48
THE30B31S	YPLC060A12MP13C	17.5	XAHB30C	975	28.4	22.1	14.50	12.00	29.0	18.9	8.55	6.85	3.58	2.42
THE30B31S	YPLC060A12MP13C	17.5	XAHB36D	875	28.4	21.1	14.50	12.00	28.0	18.2	8.55	6.95	3.54	2.48
THE30B31S	YPLC080B12MP12C	17.5	CF/CM/CU36B	1025	29.2	21.8	14.75	12.50	29.4	19.7	8.75	7.60	3.86	2.70
THE30B31S	YPLC080B12MP12C	17.5	CF42B	1000	29.4	21.8	15.00	12.50	29.0	19.3	8.75	7.60	3.86	2.66
THE30B31S	YPLC080B12MP13C	17.5	XAF/XAUB30C	1000	28.4	22.1	14.00	11.50	29.0	18.8	8.20	6.45	3.48	2.32
THE30B31S	YPLC080B12MP13C	17.5	XAF/XAUB36D	900	28.4	20.8	14.50	12.00	28.6	18.5	9.00	7.25	3.60	2.48
THE30B31S	YPLC080B12MP13C	21.0	XAFC30C	1000	28.4	22.1	14.00	11.50	29.0	18.8	8.20	6.45	3.48	2.32
THE30B31S	YPLC080B12MP13C	17.5	XAHB30C	900	28.0	21.2	14.50	12.00	29.0	19.0	8.55	6.85	3.50	2.40
THE30B31S	YPLC080B12MP13C	17.5	XAHB36D	900	28.2	21.1	14.00	11.50	28.2	18.4	8.55	6.75	3.52	2.46
THE30B31S	YPLC080C16MP12C	21.0	CF/CM/CU36C	925	28.8	20.6	15.25	12.75	28.8	19.5	9.00	7.82	3.88	2.76
THE30B31S	YPLC080C16MP12C	21.0	CF/CM/CU42C	925	29.8	21.4	15.75	13.00	28.4	19.0	9.00	7.82	3.92	2.72
THE30B31S	YPLC080C16MP13C	21.0	XAFC30C	950	28.4	21.9	14.50	12.00	28.0	18.5	8.55	6.90	3.54	2.36
THE30B31S	YPLC080C16MP13C	21.0	XAFC36D	950	28.8	21.4	15.00	12.50	28.4	18.5	9.00	7.25	3.70	2.54
THE30B31S	YPLC080C16MP13C	21.0	XAHC36D	950	28.8	22.0	14.50	12.50	28.0	18.2	9.00	7.10	3.64	2.52
THE30B31S	YPLC100C16MP12C	21.0	CF/CM/CU36C	925	28.8	20.6	15.25	12.75	28.8	19.5	9.00	7.82	3.88	2.76
THE30B31S	YPLC100C16MP12C	21.0	CF/CM/CU42C	925	29.8	21.4	15.75	13.00	28.4	19.0	9.00	7.82	3.92	2.72
THE30B31S	YPLC100C16MP13C	21.0	XAFC30C	950	28.4	21.9	14.50	12.00	28.0	18.5	8.55	6.90	3.54	2.36
THE30B31S	YPLC100C16MP13C	21.0	XAFC36D	950	28.8	21.4	15.00	12.50	28.4	18.5	9.00	7.25	3.70	2.54

SYSTEM CAPACITY - With High Efficiency Motor Furnaces¹ (Continued)

UNIT MODEL	FURNACE		COIL MODEL ²	COOLING					HEATING					
	MODEL	WIDTH		RATED CFM	NET MBH		SEER	EER	NET MBH		HSPF Region IV	HSPF Region V	COP	
					TOTAL	SENS.			47°F OD	17°F OD			47°F OD	17°F OD
THE30B31S	YPLC100C16MP13C	21.0	XAHC36D	950	28.8	22.0	14.50	12.50	28.0	18.2	9.00	7.10	3.64	2.52
THE30B31S	YPLC100C20MP13C	21.0	XAFC30C	1150	29.0	23.7	15.00	12.50	29.0	18.6	8.55	6.65	3.74	2.42
THE30B31S	YPLC100C20MP13C	21.0	XAFC36D	1150	29.8	23.2	15.00	12.50	28.8	18.9	9.00	7.00	3.86	2.64
THE30B31S	YPLC100C20MP13C	21.0	XAHC36D	1125	29.6	24.1	14.50	12.50	28.6	18.5	9.00	7.00	3.80	2.58
THE30B31S	YPLC120C20MP13C	21.0	XAFC30C	1150	29.0	23.7	15.00	12.50	29.0	18.6	8.55	6.65	3.74	2.42
THE30B31S	YPLC120C20MP13C	21.0	XAFC36D	1150	29.8	23.2	15.00	12.50	28.8	18.9	9.00	7.00	3.86	2.64
THE30B31S	YPLC120C20MP13C	21.0	XAHC36D	1125	29.6	24.1	14.50	12.50	28.6	18.5	9.00	7.00	3.80	2.58
THE30B41S	TM8V060A12MP11	14.5	CF/CM36A	975	28.8	21.2	14.25	12.00	29.4	19.8	8.75	7.60	3.80	2.66
THE30B41S	TM8V080B12MP11	17.5	CF/CM/CU36B	1025	29.2	21.8	14.75	12.50	29.4	19.7	8.75	7.60	3.86	2.70
THE30B41S	TM8V080B12MP11	17.5	CF42B	1000	29.4	21.8	15.00	12.50	29.0	19.3	8.75	7.60	3.86	2.66
THE30B41S	TM8V080C16MP11	21.0	CF/CM/CU36C	925	28.8	20.6	15.25	12.75	28.8	19.5	9.00	7.82	3.88	2.76
THE30B41S	TM8V080C16MP11	21.0	CF/CM/CU42C	925	29.8	21.4	15.75	13.00	28.4	19.0	9.00	7.82	3.92	2.72
THE30B41S	TM8V100C16MP11	21.0	CF/CM/CU36C	925	28.8	20.6	15.25	12.75	28.8	19.5	9.00	7.82	3.88	2.76
THE30B41S	TM8V100C16MP11	21.0	CF/CM/CU42C	925	29.8	21.4	15.75	13.00	28.4	19.0	9.00	7.82	3.92	2.72
THE30B41S	TM8X060A12MP11	14.5	CF/CM36A	975	29.0	21.2	15.00	12.50	29.2	19.6	8.75	7.60	3.86	2.72
THE30B41S	TM8X080B12MP11	17.5	CF/CM/CU36B	1000	29.2	21.8	15.25	12.75	29.2	19.6	9.00	7.82	3.92	2.74
THE30B41S	TM8X080B12MP11	17.5	CF42B	1000	29.4	22.0	15.25	12.50	28.8	19.1	9.00	7.82	3.92	2.70
THE30B41S	TM8X080C16MP11	21.0	CF/CM/CU36C	1000	29.2	21.8	15.25	12.75	29.0	19.5	9.00	7.82	3.94	2.76
THE30B41S	TM8X080C16MP11	21.0	CF/CM/CU36D	1000	29.2	21.8	15.50	12.75	29.0	19.5	9.00	7.82	3.94	2.76
THE30B41S	TM8X080C16MP11	21.0	CF/CM/CU42C	1000	29.6	22.0	15.50	13.00	28.6	19.1	9.00	7.82	3.96	2.72
THE30B41S	TM8X080C16MP11	21.0	CF/CM/CU42D	1000	29.6	22.0	15.50	12.75	28.6	19.0	9.00	7.82	3.96	2.74
THE30B41S	TM8X100C16MP11	21.0	CF/CM/CU36C	1000	29.2	21.8	15.25	12.75	29.0	19.5	9.00	7.82	3.94	2.76
THE30B41S	TM8X100C16MP11	21.0	CF/CM/CU36D	1000	29.2	21.8	15.50	12.75	29.0	19.5	9.00	7.82	3.94	2.76
THE30B41S	TM8X100C16MP11	21.0	CF/CM/CU42C	1000	29.6	22.0	15.50	13.00	28.6	19.1	9.00	7.82	3.96	2.72
THE30B41S	TM8X100C16MP11	21.0	CF/CM/CU42D	1000	29.6	22.0	15.50	12.75	28.6	19.0	9.00	7.82	3.96	2.74
THE30B41S	TM8X100C20MP11	21.0	CF/CM/CU36C	1000	29.2	21.8	15.25	12.75	29.0	19.5	9.00	7.82	3.94	2.76
THE30B41S	TM8X100C20MP11	21.0	CF/CM/CU36D	1000	29.2	21.8	15.50	12.75	29.0	19.5	9.00	7.82	3.94	2.76
THE30B41S	TM8X100C20MP11	21.0	CF/CM/CU42C	1000	29.6	22.0	15.50	13.00	28.6	19.1	9.00	7.82	3.96	2.72
THE30B41S	TM8X100C20MP11	21.0	CF/CM/CU42D	1000	29.6	22.0	15.50	12.75	28.6	19.0	9.00	7.82	3.96	2.74
THE30B41S	TM8X120C20MP11	21.0	CF/CM/CU36C	1000	29.2	21.8	15.25	12.75	29.0	19.5	9.00	7.82	3.94	2.76
THE30B41S	TM8X120C20MP11	21.0	CF/CM/CU36D	1000	29.2	21.8	15.50	12.75	29.0	19.5	9.00	7.82	3.94	2.76
THE30B41S	TM8X120C20MP11	21.0	CF/CM/CU42C	1000	29.6	22.0	15.50	13.00	28.6	19.1	9.00	7.82	3.96	2.72
THE30B41S	TM8X120C20MP11	21.0	CF/CM/CU42D	1000	29.6	22.0	15.50	12.75	28.6	19.0	9.00	7.82	3.96	2.74
THE30B41S	TM8Y060A12MP11	14.5	CF/CM36A	975	29.0	21.2	15.00	12.50	29.2	19.6	8.75	7.60	3.86	2.72
THE30B41S	TM8Y080B12MP11	17.5	CF/CM/CU36B	1000	29.2	21.8	15.25	12.75	29.2	19.6	9.00	7.82	3.92	2.74
THE30B41S	TM8Y080B12MP11	17.5	CF42B	1000	29.4	22.0	15.25	12.50	28.8	19.1	9.00	7.82	3.92	2.70
THE30B41S	TM8Y080C16MP11	21.0	CF/CM/CU36C	1000	29.2	21.8	15.25	12.75	29.0	19.5	9.00	7.82	3.94	2.76

SYSTEM CAPACITY - With High Efficiency Motor Furnaces¹ (Continued)

UNIT MODEL	FURNACE		COIL MODEL ²	COOLING					HEATING					
	MODEL	WIDTH		RATED CFM	NET MBH		SEER	EER	NET MBH		HSPF Region IV	HSPF Region V	COP	
					TOTAL	SENS.			47°F OD	17°F OD			47°F OD	17°F OD
THE30B41S	TM8Y080C16MP11	21.0	CF/CM/CU36D	1000	29.2	21.8	15.50	12.75	29.0	19.5	9.00	7.82	3.94	2.76
THE30B41S	TM8Y080C16MP11	21.0	CF/CM/CU42C	1000	29.6	22.0	15.50	13.00	28.6	19.1	9.00	7.82	3.96	2.72
THE30B41S	TM8Y080C16MP11	21.0	CF/CM/CU42D	1000	29.6	22.0	15.50	12.75	28.6	19.0	9.00	7.82	3.96	2.74
THE30B41S	TM8Y100C16MP11	21.0	CF/CM/CU36C	1000	29.2	21.8	15.25	12.75	29.0	19.5	9.00	7.82	3.94	2.76
THE30B41S	TM8Y100C16MP11	21.0	CF/CM/CU36D	1000	29.2	21.8	15.50	12.75	29.0	19.5	9.00	7.82	3.94	2.76
THE30B41S	TM8Y100C16MP11	21.0	CF/CM/CU42C	1000	29.6	22.0	15.50	13.00	28.6	19.1	9.00	7.82	3.96	2.72
THE30B41S	TM8Y100C16MP11	21.0	CF/CM/CU42D	1000	29.6	22.0	15.50	12.75	28.6	19.0	9.00	7.82	3.96	2.74
THE30B41S	TM8Y100C20MP11	21.0	CF/CM/CU36C	1000	29.2	21.8	15.25	12.75	29.0	19.5	9.00	7.82	3.94	2.76
THE30B41S	TM8Y100C20MP11	21.0	CF/CM/CU36D	1000	29.2	21.8	15.50	12.75	29.0	19.5	9.00	7.82	3.94	2.76
THE30B41S	TM8Y100C20MP11	21.0	CF/CM/CU42C	1000	29.6	22.0	15.50	13.00	28.6	19.1	9.00	7.82	3.96	2.72
THE30B41S	TM8Y100C20MP11	21.0	CF/CM/CU42D	1000	29.6	22.0	15.50	12.75	28.6	19.0	9.00	7.82	3.96	2.74
THE30B41S	TM8Y120C20MP11	21.0	CF/CM/CU36C	1000	29.2	21.8	15.25	12.75	29.0	19.5	9.00	7.82	3.94	2.76
THE30B41S	TM8Y120C20MP11	21.0	CF/CM/CU36D	1000	29.2	21.8	15.50	12.75	29.0	19.5	9.00	7.82	3.94	2.76
THE30B41S	TM8Y120C20MP11	21.0	CF/CM/CU42C	1000	29.6	22.0	15.50	13.00	28.6	19.1	9.00	7.82	3.96	2.72
THE30B41S	TM8Y120C20MP11	21.0	CF/CM/CU42D	1000	29.6	22.0	15.50	12.75	28.6	19.0	9.00	7.82	3.96	2.74
THE30B41S	TM9E040A10MP11	14.5	CF/CM36A	875	28.6	20.2	14.50	12.00	29.2	19.8	8.75	7.60	3.74	2.66
THE30B41S	TM9E060B12MP11	17.5	CF/CM/CU36B	900	28.8	20.4	15.25	12.50	29.0	19.5	9.00	7.82	3.86	2.74
THE30B41S	TM9E060B12MP11	17.5	CF42B	900	29.6	21.0	15.50	13.00	28.4	19.0	8.75	7.60	3.86	2.70
THE30B41S	TM9E080B12MP11	17.5	CF/CM/CU36B	900	28.8	20.4	15.25	12.50	29.0	19.5	9.00	7.82	3.86	2.74
THE30B41S	TM9E080B12MP11	17.5	CF42B	900	29.6	21.0	15.50	13.00	28.4	19.0	8.75	7.60	3.86	2.70
THE30B41S	TM9E080C16MP11	21.0	CF/CM/CU36C	1000	29.2	21.6	15.00	12.50	29.2	19.6	8.75	7.60	3.90	2.72
THE30B41S	TM9E080C16MP11	21.0	CF/CM/CU36D	1000	29.2	21.8	15.00	12.50	29.2	19.6	8.75	7.60	3.90	2.74
THE30B41S	TM9E080C16MP11	21.0	CF/CM/CU42C	1000	29.4	22.0	15.25	12.50	28.8	19.2	8.75	7.60	3.90	2.70
THE30B41S	TM9E080C16MP11	21.0	CF/CM/CU42D	1000	29.4	22.0	15.25	12.75	28.8	19.1	9.00	7.82	3.92	2.70
THE30B41S	TM9E100C16MP11	21.0	CF/CM/CU36C	1000	29.2	21.6	15.00	12.50	29.2	19.6	8.75	7.60	3.90	2.72
THE30B41S	TM9E100C16MP11	21.0	CF/CM/CU36D	1000	29.2	21.8	15.00	12.50	29.2	19.6	8.75	7.60	3.90	2.74
THE30B41S	TM9E100C16MP11	21.0	CF/CM/CU42C	1000	29.4	22.0	15.25	12.50	28.8	19.2	8.75	7.60	3.90	2.70
THE30B41S	TM9E100C16MP11	21.0	CF/CM/CU42D	1000	29.4	22.0	15.25	12.75	28.8	19.1	9.00	7.82	3.92	2.70
THE30B41S	TM9E100C20MP11	21.0	CF/CM/CU36C	975	29.2	21.6	15.50	12.75	29.0	19.4	9.00	7.82	3.96	2.78
THE30B41S	TM9E100C20MP11	21.0	CF/CM/CU36D	975	29.2	21.6	15.75	13.00	29.0	19.4	9.00	7.82	3.98	2.78
THE30B41S	TM9E100C20MP11	21.0	CF/CM/CU42C	975	29.6	22.2	16.00	13.00	28.6	18.9	9.00	7.82	4.00	2.76
THE30B41S	TM9E100C20MP11	21.0	CF/CM/CU42D	975	29.6	22.2	16.00	13.00	28.6	18.9	9.00	7.82	4.02	2.76
THE30B41S	TM9E120D20MP11	24.5	CF/CM/CU36D	975	29.2	21.6	16.00	13.00	28.8	19.3	9.00	7.82	4.00	2.80
THE30B41S	TM9E120D20MP11	24.5	CF/CM/CU42D	975	29.8	22.2	16.00	13.00	28.4	18.9	9.00	7.82	4.04	2.78
THE30B41S	TM9V060B12MP11	17.5	CF/CM/CU36B	950	29.0	21.2	15.00	12.50	29.0	19.6	9.00	7.82	3.88	2.72
THE30B41S	TM9V060B12MP11	17.5	CF42B	925	29.8	21.4	15.50	13.00	28.6	19.0	9.00	7.82	3.90	2.70
THE30B41S	TM9V080B12MP11	17.5	CF/CM/CU36B	950	29.0	21.2	15.00	12.50	29.0	19.6	9.00	7.82	3.88	2.72

SYSTEM CAPACITY - With High Efficiency Motor Furnaces¹ (Continued)

UNIT MODEL	FURNACE		COIL MODEL ²	COOLING					HEATING					
	MODEL	WIDTH		RATED CFM	NET MBH		SEER	EER	NET MBH		HSPF Region IV	HSPF Region V	COP	
					TOTAL	SENS.			47°F OD	17°F OD			47°F OD	17°F OD
THE30B41S	TM9V080B12MP11	17.5	CF42B	925	29.8	21.4	15.50	13.00	28.6	19.0	9.00	7.82	3.90	2.70
THE30B41S	TM9V080C16MP11	21.0	CF/CM/CU36C	975	29.2	21.6	15.50	13.00	29.0	19.4	9.00	7.82	3.96	2.78
THE30B41S	TM9V080C16MP11	21.0	CF/CM/CU42C	975	29.6	22.0	15.75	13.00	28.6	19.0	9.00	7.82	3.98	2.74
THE30B41S	TM9V100C16MP11	21.0	CF/CM/CU36C	975	29.2	21.6	15.50	13.00	29.0	19.4	9.00	7.82	3.96	2.78
THE30B41S	TM9V100C16MP11	21.0	CF/CM/CU42C	975	29.6	22.0	15.75	13.00	28.6	19.0	9.00	7.82	3.98	2.74
THE30B41S	TM9V100C20MP11	21.0	CF/CM/CU36C	1075	29.0	22.4	15.00	12.50	29.2	19.6	8.75	7.60	3.96	2.74
THE30B41S	TM9V120D20MP11	24.5	CF/CM/CU36D	1125	29.8	23.2	16.00	13.00	29.0	19.3	9.25	8.04	4.12	2.84
THE30B41S	TM9V120D20MP11	24.5	CF/CM/CU42D	1125	29.8	23.2	15.50	13.00	29.0	19.7	9.00	7.82	4.04	2.80
THE30B41S	TM9Y040A10MP11	14.5	CF/CM36A	875	28.6	20.2	14.50	12.00	29.2	19.8	8.75	7.60	3.74	2.66
THE30B41S	TM9Y060B12MP11	17.5	CF/CM/CU36B	900	28.8	20.4	15.25	12.50	29.0	19.5	9.00	7.82	3.86	2.74
THE30B41S	TM9Y060B12MP11	17.5	CF42B	900	29.6	21.0	15.50	13.00	28.4	19.0	8.75	7.60	3.86	2.70
THE30B41S	TM9Y080B12MP11	17.5	CF/CM/CU36B	900	28.8	20.4	15.25	12.50	29.0	19.5	9.00	7.82	3.86	2.74
THE30B41S	TM9Y080B12MP11	17.5	CF42B	900	29.6	21.0	15.50	13.00	28.4	19.0	8.75	7.60	3.86	2.70
THE30B41S	TM9Y080C16MP11	21.0	CF/CM/CU36C	1000	29.2	21.6	15.00	12.50	29.2	19.6	8.75	7.60	3.90	2.72
THE30B41S	TM9Y080C16MP11	21.0	CF/CM/CU36D	1000	29.2	21.8	15.00	12.50	29.2	19.6	8.75	7.60	3.90	2.74
THE30B41S	TM9Y080C16MP11	21.0	CF/CM/CU42C	1000	29.4	22.0	15.25	12.50	28.8	19.2	8.75	7.60	3.90	2.70
THE30B41S	TM9Y080C16MP11	21.0	CF/CM/CU42D	1000	29.4	22.0	15.25	12.75	28.8	19.1	9.00	7.82	3.92	2.70
THE30B41S	TM9Y100C16MP11	21.0	CF/CM/CU36C	1000	29.2	21.6	15.00	12.50	29.2	19.6	8.75	7.60	3.90	2.72
THE30B41S	TM9Y100C16MP11	21.0	CF/CM/CU36D	1000	29.2	21.8	15.00	12.50	29.2	19.6	8.75	7.60	3.90	2.74
THE30B41S	TM9Y100C16MP11	21.0	CF/CM/CU42C	1000	29.4	22.0	15.25	12.50	28.8	19.2	8.75	7.60	3.90	2.70
THE30B41S	TM9Y100C16MP11	21.0	CF/CM/CU42D	1000	29.4	22.0	15.25	12.75	28.8	19.1	9.00	7.82	3.92	2.70
THE30B41S	TM9Y100C20MP11	21.0	CF/CM/CU36C	975	29.2	21.6	15.50	12.75	29.0	19.4	9.00	7.82	3.96	2.78
THE30B41S	TM9Y100C20MP11	21.0	CF/CM/CU36D	975	29.2	21.6	15.75	13.00	29.0	19.4	9.00	7.82	3.98	2.78
THE30B41S	TM9Y100C20MP11	21.0	CF/CM/CU42C	975	29.6	22.2	16.00	13.00	28.6	18.9	9.00	7.82	4.00	2.76
THE30B41S	TM9Y100C20MP11	21.0	CF/CM/CU42D	975	29.6	22.2	16.00	13.00	28.6	18.9	9.00	7.82	4.02	2.76
THE30B41S	TM9Y120D20MP11	24.5	CF/CM/CU36D	975	29.2	21.6	16.00	13.00	28.8	19.3	9.00	7.82	4.00	2.80
THE30B41S	TM9Y120D20MP11	24.5	CF/CM/CU42D	975	29.8	22.2	16.00	13.00	28.4	18.9	9.00	7.82	4.04	2.78
THE30B41S	TMLV060A12MP11	14.5	CF/CM36A	975	28.8	21.2	14.25	12.00	29.4	19.8	8.75	7.60	3.80	2.66
THE30B41S	TMLV080B12MP11	17.5	CF/CM/CU36B	1025	29.2	21.8	14.75	12.50	29.4	19.7	8.75	7.60	3.86	2.70
THE30B41S	TMLV080B12MP11	17.5	CF42B	1000	29.4	21.8	15.00	12.50	29.0	19.3	8.75	7.60	3.86	2.66
THE30B41S	TMLV080C16MP11	21.0	CF/CM/CU36C	925	28.8	20.6	15.25	12.75	28.8	19.5	9.00	7.82	3.88	2.76
THE30B41S	TMLV080C16MP11	21.0	CF/CM/CU42C	925	29.8	21.4	15.75	13.00	28.4	19.0	9.00	7.82	3.92	2.72
THE30B41S	TMLV100C16MP11	21.0	CF/CM/CU36C	925	28.8	20.6	15.25	12.75	28.8	19.5	9.00	7.82	3.88	2.76
THE30B41S	TMLV100C16MP11	21.0	CF/CM/CU42C	925	29.8	21.4	15.75	13.00	28.4	19.0	9.00	7.82	3.92	2.72
THE30B41S	TMLX060A12MP11	14.5	CF/CM36A	975	29.0	21.2	15.00	12.50	29.2	19.6	8.75	7.60	3.86	2.72
THE30B41S	TMLX080B12MP11	17.5	CF/CM/CU36B	1000	29.2	21.8	15.25	12.75	29.2	19.6	9.00	7.82	3.92	2.74
THE30B41S	TMLX080B12MP11	17.5	CF42B	1000	29.4	22.0	15.25	12.50	28.8	19.1	9.00	7.82	3.92	2.70

SYSTEM CAPACITY - With High Efficiency Motor Furnaces¹ (Continued)

UNIT MODEL	FURNACE		COIL MODEL ²	COOLING					HEATING					
	MODEL	WIDTH		RATED CFM	NET MBH		SEER	EER	NET MBH		HSPF Region IV	HSPF Region V	COP	
					TOTAL	SENS.			47°F OD	17°F OD			47°F OD	17°F OD
THE30B41S	TMLX080C16MP11	21.0	CF/CM/CU36C	1000	29.2	21.8	15.25	12.75	29.0	19.5	9.00	7.82	3.94	2.76
THE30B41S	TMLX080C16MP11	21.0	CF/CM/CU36D	1000	29.2	21.8	15.50	12.75	29.0	19.5	9.00	7.82	3.94	2.76
THE30B41S	TMLX080C16MP11	21.0	CF/CM/CU42C	1000	29.6	22.0	15.50	13.00	28.6	19.1	9.00	7.82	3.96	2.72
THE30B41S	TMLX080C16MP11	21.0	CF/CM/CU42D	1000	29.6	22.0	15.50	12.75	28.6	19.0	9.00	7.82	3.96	2.74
THE30B41S	TMLX100C16MP11	21.0	CF/CM/CU36C	1000	29.2	21.8	15.25	12.75	29.0	19.5	9.00	7.82	3.94	2.76
THE30B41S	TMLX100C16MP11	21.0	CF/CM/CU36D	1000	29.2	21.8	15.50	12.75	29.0	19.5	9.00	7.82	3.94	2.76
THE30B41S	TMLX100C16MP11	21.0	CF/CM/CU42C	1000	29.6	22.0	15.50	13.00	28.6	19.1	9.00	7.82	3.96	2.72
THE30B41S	TMLX100C16MP11	21.0	CF/CM/CU42D	1000	29.6	22.0	15.50	12.75	28.6	19.0	9.00	7.82	3.96	2.74
THE30B41S	TMLX100C20MP11	21.0	CF/CM/CU36C	1000	29.2	21.8	15.25	12.75	29.0	19.5	9.00	7.82	3.94	2.76
THE30B41S	TMLX100C20MP11	21.0	CF/CM/CU36D	1000	29.2	21.8	15.50	12.75	29.0	19.5	9.00	7.82	3.94	2.76
THE30B41S	TMLX100C20MP11	21.0	CF/CM/CU42C	1000	29.6	22.0	15.50	13.00	28.6	19.1	9.00	7.82	3.96	2.72
THE30B41S	TMLX100C20MP11	21.0	CF/CM/CU42D	1000	29.6	22.0	15.50	12.75	28.6	19.0	9.00	7.82	3.96	2.74
THE30B41S	TMLX120C20MP11	21.0	CF/CM/CU36C	1000	29.2	21.8	15.25	12.75	29.0	19.5	9.00	7.82	3.94	2.76
THE30B41S	TMLX120C20MP11	21.0	CF/CM/CU36D	1000	29.2	21.8	15.50	12.75	29.0	19.5	9.00	7.82	3.94	2.76
THE30B41S	TMLX120C20MP11	21.0	CF/CM/CU42C	1000	29.6	22.0	15.50	13.00	28.6	19.1	9.00	7.82	3.96	2.72
THE30B41S	TMLX120C20MP11	21.0	CF/CM/CU42D	1000	29.6	22.0	15.50	12.75	28.6	19.0	9.00	7.82	3.96	2.74
THE30B41S	TP9C060B12MP12C	17.5	CF/CM/CU36B	950	29.0	21.2	15.00	12.50	29.0	19.6	9.00	7.82	3.88	2.72
THE30B41S	TP9C060B12MP12C	17.5	CF42B	925	29.8	21.4	15.50	13.00	28.6	19.0	9.00	7.82	3.90	2.70
THE30B41S	TP9C080B12MP12C	17.5	CF/CM/CU36B	950	29.0	21.2	15.00	12.50	29.0	19.6	9.00	7.82	3.88	2.72
THE30B41S	TP9C080B12MP12C	17.5	CF42B	925	29.8	21.4	15.50	13.00	28.6	19.0	9.00	7.82	3.90	2.70
THE30B41S	TP9C080C16MP12C	21.0	CF/CM/CU36C	975	29.2	21.6	15.50	13.00	29.0	19.4	9.00	7.82	3.96	2.78
THE30B41S	TP9C080C16MP12C	21.0	CF/CM/CU42C	975	29.6	22.0	15.75	13.00	28.6	19.0	9.00	7.82	3.98	2.74
THE30B41S	TP9C100C16MP12C	21.0	CF/CM/CU36C	975	29.2	21.6	15.50	13.00	29.0	19.4	9.00	7.82	3.96	2.78
THE30B41S	TP9C100C16MP12C	21.0	CF/CM/CU42C	975	29.6	22.0	15.75	13.00	28.6	19.0	9.00	7.82	3.98	2.74
THE30B41S	TP9C100C20MP12C	21.0	CF/CM/CU36C	1075	29.0	22.4	15.00	12.50	29.2	19.6	8.75	7.60	3.96	2.74
THE30B41S	TP9C120D20MP12C	24.5	CF/CM/CU36D	1125	29.8	23.2	16.00	13.00	29.0	19.3	9.25	8.04	4.12	2.84
THE30B41S	TP9C120D20MP12C	24.5	CF/CM/CU42D	1125	29.8	23.2	15.50	13.00	29.0	19.7	9.00	7.82	4.04	2.80
THE30B41S	TPLC060A12MP12C	14.5	CF/CM36A	975	28.8	21.2	14.25	12.00	29.4	19.8	8.75	7.60	3.80	2.66
THE30B41S	TPLC080B12MP12C	17.5	CF/CM/CU36B	1025	29.2	21.8	14.75	12.50	29.4	19.7	8.75	7.60	3.86	2.70
THE30B41S	TPLC080B12MP12C	17.5	CF42B	1000	29.4	21.8	15.00	12.50	29.0	19.3	8.75	7.60	3.86	2.66
THE30B41S	TPLC080C16MP12C	21.0	CF/CM/CU36C	925	28.8	20.6	15.25	12.75	28.8	19.5	9.00	7.82	3.88	2.76
THE30B41S	TPLC080C16MP12C	21.0	CF/CM/CU42C	925	29.8	21.4	15.75	13.00	28.4	19.0	9.00	7.82	3.92	2.72
THE30B41S	TPLC100C16MP12C	21.0	CF/CM/CU36C	925	28.8	20.6	15.25	12.75	28.8	19.5	9.00	7.82	3.88	2.76
THE30B41S	TPLC100C16MP12C	21.0	CF/CM/CU42C	925	29.8	21.4	15.75	13.00	28.4	19.0	9.00	7.82	3.92	2.72
THE30B41S	YP9C060B12MP12C	17.5	CF/CM/CU36B	950	29.0	21.2	15.00	12.50	29.0	19.6	9.00	7.82	3.88	2.72
THE30B41S	YP9C060B12MP12C	17.5	CF42B	925	29.8	21.4	15.50	13.00	28.6	19.0	9.00	7.82	3.90	2.70
THE30B41S	YP9C080B12MP12C	17.5	CF/CM/CU36B	950	29.0	21.2	15.00	12.50	29.0	19.6	9.00	7.82	3.88	2.72

SYSTEM CAPACITY - With High Efficiency Motor Furnaces¹ (Continued)

UNIT MODEL	FURNACE		COIL MODEL ²	COOLING					HEATING					
	MODEL	WIDTH		RATED CFM	NET MBH		SEER	EER	NET MBH		HSPF Region IV	HSPF Region V	COP	
					TOTAL	SENS.			47°F OD	17°F OD			47°F OD	17°F OD
THE30B41S	YP9C080B12MP12C	17.5	CF42B	925	29.8	21.4	15.50	13.00	28.6	19.0	9.00	7.82	3.90	2.70
THE30B41S	YP9C080C16MP12C	21.0	CF/CM/CU36C	975	29.2	21.6	15.50	13.00	29.0	19.4	9.00	7.82	3.96	2.78
THE30B41S	YP9C080C16MP12C	21.0	CF/CM/CU42C	975	29.6	22.0	15.75	13.00	28.6	19.0	9.00	7.82	3.98	2.74
THE30B41S	YP9C100C16MP12C	21.0	CF/CM/CU36C	975	29.2	21.6	15.50	13.00	29.0	19.4	9.00	7.82	3.96	2.78
THE30B41S	YP9C100C16MP12C	21.0	CF/CM/CU42C	975	29.6	22.0	15.75	13.00	28.6	19.0	9.00	7.82	3.98	2.74
THE30B41S	YP9C100C20MP12C	21.0	CF/CM/CU36C	1075	29.0	22.4	15.00	12.50	29.2	19.6	8.75	7.60	3.96	2.74
THE30B41S	YP9C120D20MP12C	24.5	CF/CM/CU36D	1125	29.8	23.2	16.00	13.00	29.0	19.3	9.25	8.04	4.12	2.84
THE30B41S	YP9C120D20MP12C	24.5	CF/CM/CU42D	1125	29.8	23.2	15.50	13.00	29.0	19.7	9.00	7.82	4.04	2.80
THE30B41S	YPLC060A12MP12C	14.5	CF/CM36A	975	28.8	21.2	14.25	12.00	29.4	19.8	8.75	7.60	3.80	2.66
THE30B41S	YPLC080B12MP12C	17.5	CF/CM/CU36B	1025	29.2	21.8	14.75	12.50	29.4	19.7	8.75	7.60	3.86	2.70
THE30B41S	YPLC080B12MP12C	17.5	CF42B	1000	29.4	21.8	15.00	12.50	29.0	19.3	8.75	7.60	3.86	2.66
THE30B41S	YPLC080C16MP12C	21.0	CF/CM/CU36C	925	28.8	20.6	15.25	12.75	28.8	19.5	9.00	7.82	3.88	2.76
THE30B41S	YPLC080C16MP12C	21.0	CF/CM/CU42C	925	29.8	21.4	15.75	13.00	28.4	19.0	9.00	7.82	3.92	2.72
THE30B41S	YPLC100C16MP12C	21.0	CF/CM/CU36C	925	28.8	20.6	15.25	12.75	28.8	19.5	9.00	7.82	3.88	2.76
THE30B41S	YPLC100C16MP12C	21.0	CF/CM/CU42C	925	29.8	21.4	15.75	13.00	28.4	19.0	9.00	7.82	3.92	2.72
THE36B32S	TL8E060A12UH11	17.5	XAF/XAUB36D	1025	34.8	24.7	14.50	12.00	35.6	23.4	8.20	6.70	3.42	2.34
THE36B32S	TL8E060A12UH11	14.5	XAFA30D	1150	34.8	25.4	14.00	11.50	35.6	23.8	8.20	6.65	3.42	2.32
THE36B32S	TL8E080C16UH11	21.0	XAF/XAUC48F	1075	35.2	25.6	15.00	12.50	35.6	23.2	8.55	6.90	3.64	2.52
THE36B32S	TL8E080C16UH11	21.0	XAFC36D	1225	35.4	26.3	14.50	12.00	35.6	23.6	8.55	6.95	3.54	2.38
THE36B32S	TL8E080C16UH11	24.5	XAFD48F	1100	35.4	26.0	15.00	12.50	35.6	23.2	8.55	6.85	3.66	2.52
THE36B32S	TL8E080C16UH11	21.0	XAHC36D	1200	35.2	26.5	14.00	12.00	35.0	22.8	8.20	6.75	3.40	2.34
THE36B32S	TL8E080C16UH11	21.0	XAHC48F	1075	34.8	24.9	14.50	12.00	34.0	23.0	8.55	7.00	3.56	2.58
THE36B32S	TL8E080C16UH11	24.5	XAHD48F	1100	34.8	25.3	14.50	12.00	34.0	23.0	8.55	6.90	3.58	2.58
THE36B32S	TL8E100C20UH11	21.0	XAF/XAUC48F	1225	35.6	27.4	15.00	12.50	35.6	23.2	9.00	7.35	3.74	2.56
THE36B32S	TL8E100C20UH11	21.0	XAFC36D	1200	35.6	26.4	15.00	12.50	35.6	23.4	8.55	6.90	3.58	2.40
THE36B32S	TL8E100C20UH11	24.5	XAFD48F	1250	35.6	27.8	15.00	12.50	35.6	23.2	9.00	7.25	3.76	2.56
THE36B32S	TL8E100C20UH11	21.0	XAHC36D	1175	35.4	26.5	14.50	12.50	35.0	22.6	8.20	6.65	3.42	2.36
THE36B32S	TL8E100C20UH11	21.0	XAHC48F	1200	35.2	26.3	14.50	12.00	34.4	23.0	9.00	7.55	3.64	2.58
THE36B32S	TL8E100C20UH11	24.5	XAHD48F	1225	35.4	26.6	14.50	12.50	34.4	22.8	9.00	7.45	3.68	2.60
THE36B32S	TL9E060B12UH11	17.5	XAF/XAUB36D	1000	34.6	24.4	14.00	12.00	35.6	23.6	8.20	6.75	3.36	2.32
THE36B32S	TL9E060B12UH11	21.0	XAF/XAUC48F	1025	34.8	24.9	14.00	12.00	35.4	23.4	8.55	6.90	3.54	2.46
THE36B32S	TL9E060B12UH11	21.0	XAFC36D	1025	34.8	24.7	14.00	12.00	35.6	23.6	8.20	6.75	3.38	2.34
THE36B32S	TL9E080C16UH11	21.0	XAF/XAUC48F	1050	35.2	25.4	14.50	12.50	35.6	23.2	8.55	6.95	3.60	2.50
THE36B32S	TL9E080C16UH11	21.0	XAFC36D	1050	34.8	25.0	14.50	12.50	35.6	23.4	8.20	6.55	3.46	2.36
THE36B32S	TL9E080C16UH11	24.5	XAFD48F	1075	35.2	25.6	14.50	12.50	35.6	23.2	8.55	6.90	3.62	2.50
THE36B32S	TL9E080C16UH11	21.0	XAHC36D	1200	35.2	26.5	14.00	12.00	35.0	23.0	8.20	6.70	3.38	2.32
THE36B32S	TL9E080C16UH11	21.0	XAHC48F	1225	35.0	26.2	14.00	12.00	34.8	23.2	8.20	6.60	3.60	2.54

SYSTEM CAPACITY - With High Efficiency Motor Furnaces¹ (Continued)

UNIT MODEL	FURNACE		COIL MODEL ²	COOLING					HEATING					
	MODEL	WIDTH		RATED CFM	NET MBH		SEER	EER	NET MBH		HSPF Region IV	HSPF Region V	COP	
					TOTAL	SENS.			47°F OD	17°F OD			47°F OD	17°F OD
THE36B32S	TL9E080C16UH11	24.5	XAHD48F	1050	34.6	24.5	14.50	12.00	34.0	23.0	8.55	7.10	3.54	2.56
THE36B32S	TL9E100C20UH11	21.0	XAF/XAUC48F	1175	35.6	26.9	15.00	12.50	35.6	23.2	9.00	7.40	3.70	2.54
THE36B32S	TL9E100C20UH11	21.0	XAFC36D	1175	35.4	26.1	15.00	12.50	35.6	23.4	8.55	7.00	3.56	2.40
THE36B32S	TL9E100C20UH11	24.5	XAFD48F	1200	35.6	27.1	15.00	12.50	35.6	23.2	9.00	7.40	3.72	2.56
THE36B32S	TL9E100C20UH11	21.0	XAHC36D	1150	35.2	26.2	14.50	12.00	35.0	22.6	8.20	6.75	3.38	2.34
THE36B32S	TL9E100C20UH11	21.0	XAHC48F	1175	35.0	25.9	14.50	12.00	34.4	23.0	9.00	7.50	3.62	2.58
THE36B32S	TL9E100C20UH11	24.5	XAHD48F	1100	34.8	25.3	14.50	12.50	34.0	22.8	8.55	6.95	3.60	2.60
THE36B32S	TM8E040A12MP11	17.5	XAF/XAUB36D	1000	34.8	24.6	14.50	12.00	35.6	23.4	8.20	6.70	3.42	2.36
THE36B32S	TM8E040A12MP11	14.5	XAFA30D	1125	34.8	25.3	14.00	12.00	35.6	23.8	8.20	6.70	3.42	2.34
THE36B32S	TM8E060A12MP11	17.5	XAF/XAUB36D	1000	34.8	24.6	14.50	12.00	35.6	23.4	8.20	6.70	3.40	2.36
THE36B32S	TM8E060A12MP11	14.5	XAFA30D	1150	34.8	25.4	14.00	11.50	35.6	23.8	8.20	6.65	3.42	2.32
THE36B32S	TM8E080B12MP11	17.5	XAF/XAUB36D	1000	34.8	24.6	14.50	12.00	35.6	23.4	8.20	6.70	3.40	2.34
THE36B32S	TM8E080B12MP11	21.0	XAF/XAUC48F	1025	35.0	25.1	14.50	12.00	35.6	23.2	8.55	7.05	3.58	2.48
THE36B32S	TM8E080B12MP11	21.0	XAFC36D	1000	34.8	24.6	14.50	12.00	35.6	23.4	8.20	6.70	3.40	2.34
THE36B32S	TM8E080B12MP11	21.0	XAHC48F	1000	34.4	24.0	14.00	12.00	34.0	23.2	8.20	6.80	3.48	2.56
THE36B32S	TM8E080C16MP11	21.0	XAF/XAUC48F	1075	35.4	25.8	15.00	12.50	35.6	23.0	8.55	6.90	3.64	2.52
THE36B32S	TM8E080C16MP11	21.0	XAFC36D	1225	35.6	26.5	14.50	12.00	35.6	23.6	8.55	7.00	3.56	2.40
THE36B32S	TM8E080C16MP11	24.5	XAFD48F	1075	35.4	25.8	15.00	12.50	35.6	23.0	8.55	6.85	3.64	2.52
THE36B32S	TM8E080C16MP11	21.0	XAHC36D	1225	35.4	26.8	14.00	12.00	35.0	22.8	8.20	6.70	3.42	2.34
THE36B32S	TM8E080C16MP11	21.0	XAHC48F	1050	34.8	24.7	14.50	12.00	34.0	23.0	8.55	7.00	3.54	2.58
THE36B32S	TM8E080C16MP11	24.5	XAHD48F	1075	34.8	24.9	14.50	12.00	34.0	23.0	8.55	6.90	3.58	2.58
THE36B32S	TM8E080C20MP11	21.0	XAF/XAUC48F	1225	35.6	27.4	15.00	12.50	35.6	23.2	9.00	7.35	3.74	2.56
THE36B32S	TM8E080C20MP11	21.0	XAFC36D	1200	35.6	26.4	15.00	12.50	35.6	23.4	8.55	6.90	3.58	2.40
THE36B32S	TM8E080C20MP11	24.5	XAFD48F	1225	35.6	27.4	15.00	12.50	35.6	23.2	9.00	7.35	3.74	2.56
THE36B32S	TM8E080C20MP11	21.0	XAHC36D	1175	35.4	26.5	14.50	12.50	35.0	22.6	8.20	6.65	3.42	2.36
THE36B32S	TM8E080C20MP11	21.0	XAHC48F	1200	35.2	26.3	14.50	12.00	34.4	23.0	9.00	7.55	3.64	2.58
THE36B32S	TM8E080C20MP11	24.5	XAHD48F	1225	35.4	26.6	14.50	12.00	34.4	22.8	9.00	7.45	3.68	2.60
THE36B32S	TM8E100B12MP11	17.5	XAF/XAUB36D	1050	34.8	25.0	14.50	12.00	35.6	23.4	8.20	6.60	3.44	2.36
THE36B32S	TM8E100B12MP11	21.0	XAF/XAUC48F	1075	35.2	25.6	14.50	12.00	35.6	23.2	8.55	6.95	3.60	2.50
THE36B32S	TM8E100B12MP11	21.0	XAFC36D	1050	34.8	25.0	14.50	12.00	35.6	23.4	8.20	6.60	3.44	2.36
THE36B32S	TM8E100B12MP11	21.0	XAHC36D	1200	35.0	26.3	14.00	11.50	35.0	23.0	8.20	6.80	3.36	2.32
THE36B32S	TM8E100B12MP11	21.0	XAHC48F	1050	34.6	24.5	14.00	12.00	34.0	23.2	8.20	6.80	3.50	2.56
THE36B32S	TM8E100C16MP11	21.0	XAF/XAUC48F	1075	35.4	25.8	15.00	12.50	35.6	23.0	8.55	6.90	3.64	2.52
THE36B32S	TM8E100C16MP11	21.0	XAFC36D	1250	35.6	26.6	14.50	12.00	35.6	23.6	8.55	7.00	3.56	2.40
THE36B32S	TM8E100C16MP11	24.5	XAFD48F	1100	35.4	26.0	15.00	12.50	35.6	23.0	8.55	6.85	3.66	2.52
THE36B32S	TM8E100C16MP11	21.0	XAHC36D	1250	35.6	27.2	14.00	12.00	35.0	23.0	8.20	6.60	3.44	2.34
THE36B32S	TM8E100C16MP11	21.0	XAHC48F	1050	34.8	24.7	14.50	12.00	34.0	23.0	8.55	7.10	3.54	2.58

SYSTEM CAPACITY - With High Efficiency Motor Furnaces¹ (Continued)

UNIT MODEL	FURNACE		COIL MODEL ²	COOLING					HEATING					
	MODEL	WIDTH		RATED CFM	NET MBH		SEER	EER	NET MBH		HSPF Region IV	HSPF Region V	COP	
					TOTAL	SENS.			47°F OD	17°F OD			47°F OD	17°F OD
THE36B32S	TM8E100C16MP11	24.5	XAHD48F	1100	34.8	25.3	14.50	12.00	34.0	23.0	8.55	6.90	3.58	2.58
THE36B32S	TM8E100C20MP11	21.0	XAF/XAUC48F	1225	35.6	27.4	15.00	12.50	35.6	23.2	9.00	7.35	3.74	2.56
THE36B32S	TM8E100C20MP11	21.0	XAFC36D	1200	35.6	26.4	15.00	12.50	35.6	23.4	8.55	6.90	3.56	2.40
THE36B32S	TM8E100C20MP11	24.5	XAFD48F	1225	35.6	27.4	15.00	12.50	35.6	23.2	9.00	7.35	3.74	2.56
THE36B32S	TM8E100C20MP11	21.0	XAHC36D	1175	35.2	26.3	14.50	12.00	35.0	22.6	8.20	6.65	3.40	2.36
THE36B32S	TM8E100C20MP11	21.0	XAHC48F	1200	35.2	26.3	14.50	12.00	34.4	23.0	9.00	7.55	3.64	2.58
THE36B32S	TM8E100C20MP11	24.5	XAHD48F	1225	35.4	26.6	14.50	12.00	34.4	22.8	9.00	7.45	3.68	2.60
THE36B32S	TM8E120C16MP11	21.0	XAF/XAUC48F	1075	35.4	25.8	15.00	12.50	35.6	23.0	8.55	6.90	3.64	2.52
THE36B32S	TM8E120C16MP11	21.0	XAFC36D	1250	35.6	26.6	14.50	12.00	35.6	23.6	8.55	6.90	3.56	2.40
THE36B32S	TM8E120C16MP11	24.5	XAFD48F	1100	35.4	26.0	15.00	12.50	35.6	23.0	8.55	6.85	3.66	2.52
THE36B32S	TM8E120C16MP11	21.0	XAHC36D	1250	35.6	27.2	14.00	12.00	35.0	23.0	8.20	6.60	3.44	2.34
THE36B32S	TM8E120C16MP11	21.0	XAHC48F	1075	34.8	24.9	14.50	12.00	34.0	23.0	8.55	7.00	3.56	2.58
THE36B32S	TM8E120C16MP11	24.5	XAHD48F	1300	35.6	27.3	14.50	12.00	34.8	23.0	9.00	7.40	3.68	2.58
THE36B32S	TM8E120C20MP11	21.0	XAF/XAUC48F	1250	35.6	27.6	15.00	12.50	35.6	23.2	9.00	7.35	3.74	2.56
THE36B32S	TM8E120C20MP11	21.0	XAFC36D	1225	35.6	26.5	15.00	12.50	35.6	23.4	8.55	6.90	3.58	2.40
THE36B32S	TM8E120C20MP11	24.5	XAFD48F	1275	35.6	28.0	15.00	12.50	35.6	23.2	9.00	7.30	3.78	2.56
THE36B32S	TM8E120C20MP11	21.0	XAHC36D	1225	35.6	27.0	14.50	12.50	35.0	22.8	8.20	6.60	3.44	2.36
THE36B32S	TM8E120C20MP11	21.0	XAHC48F	1225	35.2	26.4	14.50	12.00	34.6	23.0	9.00	7.50	3.66	2.58
THE36B32S	TM8E120C20MP11	24.5	XAHD48F	1275	35.6	27.1	14.50	12.00	34.6	22.8	9.00	7.35	3.70	2.60
THE36B32S	TM8E130D20MP11	24.5	XAFD48F	1275	35.6	28.0	15.00	12.50	35.6	23.2	9.00	7.30	3.78	2.58
THE36B32S	TM8E130D20MP11	24.5	XAHD48F	1250	35.4	26.8	14.50	12.00	34.4	22.8	9.00	7.45	3.68	2.60
THE36B32S	TM8V060A12MP12C	17.5	XAF/XAUB36D	1075	34.8	25.1	14.50	12.00	35.6	23.4	8.20	6.60	3.44	2.36
THE36B32S	TM8V060A12MP12C	14.5	XAFA30D	1075	34.8	24.9	14.00	12.00	35.6	23.6	8.20	6.65	3.40	2.34
THE36B32S	TM8V080B12MP12C	17.5	CF/CM/CU48C	1000	36.0	25.6	14.75	12.50	35.2	23.0	8.50	7.35	3.52	2.50
THE36B32S	TM8V080B12MP12C	17.5	XAF/XAUB36D	1000	34.6	24.4	14.00	12.00	35.6	23.6	8.20	6.75	3.36	2.32
THE36B32S	TM8V080B12MP12C	21.0	XAF/XAUC48F	1000	34.8	24.5	14.00	12.00	35.4	23.2	8.55	6.90	3.52	2.46
THE36B32S	TM8V080B12MP12C	21.0	XAFC36D	1000	34.6	24.4	14.00	12.00	35.6	23.6	8.20	6.75	3.38	2.32
THE36B32S	TM8V080C16MP12C	21.0	CF/CM/CU48C	1050	36.0	26.2	15.50	13.00	35.2	22.6	8.75	7.90	3.64	2.54
THE36B32S	TM8V080C16MP12C	21.0	CF/CM/CU48D	950	36.0	25.2	15.50	13.00	35.2	22.8	8.75	7.80	3.52	2.52
THE36B32S	TM8V080C16MP12C	21.0	XAF/XAUC48F	1050	35.2	25.4	15.00	12.50	35.6	23.0	8.55	6.90	3.64	2.52
THE36B32S	TM8V080C16MP12C	21.0	XAFC36D	1275	35.6	26.7	14.50	12.00	35.6	23.6	8.55	6.90	3.58	2.40
THE36B32S	TM8V080C16MP12C	24.5	XAFD48F	1050	35.2	25.4	15.00	12.50	35.6	23.0	8.55	6.90	3.64	2.52
THE36B32S	TM8V080C16MP12C	21.0	XAHC36D	1125	35.0	25.8	14.00	12.00	35.0	22.6	8.20	6.80	3.36	2.32
THE36B32S	TM8V080C16MP12C	21.0	XAHC48F	1050	34.6	24.5	14.50	12.00	34.0	23.0	8.55	7.00	3.54	2.58
THE36B32S	TM8V080C16MP12C	24.5	XAHD48F	1150	35.0	25.8	14.50	12.00	34.4	23.0	8.55	6.90	3.60	2.58
THE36B32S	TM8V100C16MP12C	21.0	CF/CM/CU48C	1050	36.0	26.2	15.50	13.00	35.2	22.6	8.75	7.90	3.64	2.54
THE36B32S	TM8V100C16MP12C	21.0	CF/CM/CU48D	950	36.0	25.2	15.50	13.00	35.2	22.8	8.75	7.80	3.52	2.52

SYSTEM CAPACITY - With High Efficiency Motor Furnaces¹ (Continued)

UNIT MODEL	FURNACE		COIL MODEL ²	COOLING					HEATING					
	MODEL	WIDTH		RATED CFM	NET MBH		SEER	EER	NET MBH		HSPF Region IV	HSPF Region V	COP	
					TOTAL	SENS.			47°F OD	17°F OD			47°F OD	17°F OD
THE36B32S	TM8V100C16MP12C	21.0	XAF/XAUC48F	1050	35.2	25.4	15.00	12.50	35.6	23.0	8.55	6.90	3.64	2.52
THE36B32S	TM8V100C16MP12C	21.0	XAFC36D	1275	35.6	26.7	14.50	12.00	35.6	23.6	8.55	6.90	3.58	2.40
THE36B32S	TM8V100C16MP12C	24.5	XAFD48F	1050	35.2	25.4	15.00	12.50	35.6	23.0	8.55	6.90	3.64	2.52
THE36B32S	TM8V100C16MP12C	21.0	XAHC36D	1200	35.2	26.5	14.00	12.00	35.0	22.8	8.20	6.65	3.40	2.34
THE36B32S	TM8V100C16MP12C	21.0	XAHC48F	1050	34.6	24.5	14.50	12.00	34.0	23.0	8.55	7.00	3.54	2.58
THE36B32S	TM8V100C16MP12C	24.5	XAHD48F	1150	35.0	25.8	14.50	12.00	34.4	23.0	8.55	6.90	3.60	2.58
THE36B32S	TM8V100C20MP12C	21.0	CF/CM/CU48C	1150	36.0	27.2	15.75	13.00	35.0	22.6	9.00	8.00	3.70	2.58
THE36B32S	TM8V100C20MP12C	21.0	CF/CM/CU48D	1150	36.0	27.2	15.75	13.00	35.0	22.6	9.00	8.00	3.70	2.58
THE36B32S	TM8V100C20MP12C	21.0	XAF/XAUC48F	1225	35.6	27.4	15.00	12.50	35.6	23.2	9.00	7.35	3.74	2.56
THE36B32S	TM8V100C20MP12C	21.0	XAFC36D	1225	35.6	26.5	15.00	12.50	35.6	23.4	8.55	6.95	3.58	2.42
THE36B32S	TM8V100C20MP12C	24.5	XAFD48F	1200	35.6	27.1	15.00	12.50	35.6	23.2	9.00	7.35	3.74	2.56
THE36B32S	TM8V100C20MP12C	21.0	XAHC36D	1225	35.6	27.0	14.50	12.00	35.0	22.8	8.20	6.60	3.46	2.36
THE36B32S	TM8V100C20MP12C	21.0	XAHC48F	1200	35.2	26.3	14.50	12.00	34.4	22.8	9.00	7.55	3.64	2.60
THE36B32S	TM8V100C20MP12C	24.5	XAHD48F	1150	35.0	25.8	14.50	12.50	34.2	22.8	9.00	7.45	3.64	2.60
THE36B32S	TM8V120C20MP12C	21.0	CF/CM/CU48C	1150	36.0	27.2	15.75	13.00	35.0	22.6	9.00	8.00	3.70	2.58
THE36B32S	TM8V120C20MP12C	21.0	CF/CM/CU48D	1150	36.0	27.2	15.75	13.00	35.0	22.6	9.00	8.00	3.70	2.58
THE36B32S	TM8V120C20MP12C	21.0	XAF/XAUC48F	1225	35.6	27.4	15.00	12.50	35.6	23.2	9.00	7.35	3.74	2.56
THE36B32S	TM8V120C20MP12C	21.0	XAFC36D	1225	35.6	26.5	15.00	12.50	35.6	23.4	8.55	6.95	3.58	2.42
THE36B32S	TM8V120C20MP12C	24.5	XAFD48F	1225	35.6	27.4	15.00	12.50	35.6	23.2	9.00	7.35	3.76	2.56
THE36B32S	TM8V120C20MP12C	21.0	XAHC36D	1225	35.6	27.0	14.50	12.00	35.0	22.8	8.20	6.60	3.46	2.36
THE36B32S	TM8V120C20MP12C	21.0	XAHC48F	1225	35.2	26.4	14.50	12.00	34.4	22.8	9.00	7.45	3.66	2.60
THE36B32S	TM8V120C20MP12C	24.5	XAHD48F	1150	35.0	25.8	14.50	12.50	34.2	22.8	9.00	7.45	3.64	2.60
THE36B32S	TM8X080B12MP11	17.5	CF/CM/CU48C	1000	36.0	25.8	15.25	13.00	35.0	22.8	8.75	7.55	3.58	2.54
THE36B32S	TM8X080C16MP11	21.0	CF/CM/CU48C	950	36.0	25.2	15.50	13.00	35.2	22.8	8.75	7.80	3.52	2.52
THE36B32S	TM8X080C16MP11	21.0	CF/CM/CU48D	975	36.0	25.4	15.75	13.00	35.0	22.6	8.75	7.90	3.58	2.56
THE36B32S	TM8X100C16MP11	21.0	CF/CM/CU48C	950	36.0	25.2	15.50	13.00	35.2	22.8	8.75	7.80	3.52	2.52
THE36B32S	TM8X100C16MP11	21.0	CF/CM/CU48D	975	36.0	25.4	15.75	13.00	35.0	22.6	8.75	7.90	3.58	2.56
THE36B32S	TM8X100C20MP11	21.0	CF/CM/CU48C	1000	36.0	25.6	15.75	13.00	35.0	22.6	8.75	7.90	3.62	2.56
THE36B32S	TM8X100C20MP11	21.0	CF/CM/CU48D	1000	36.0	25.6	15.75	13.00	35.0	22.6	8.75	7.90	3.62	2.56
THE36B32S	TM8X120C20MP11	21.0	CF/CM/CU48C	1000	36.0	25.6	15.75	13.00	35.0	22.6	8.75	7.90	3.62	2.56
THE36B32S	TM8X120C20MP11	21.0	CF/CM/CU48D	1000	36.0	25.6	15.75	13.00	35.0	22.6	8.75	7.90	3.62	2.56
THE36B32S	TM8Y060A12MP11	17.5	XAF/XAUB36D	1100	34.8	25.2	14.00	12.00	35.6	23.6	8.20	6.70	3.42	2.34
THE36B32S	TM8Y080B12MP11	17.5	CF/CM/CU48C	1000	36.0	25.8	15.25	13.00	35.0	22.8	8.75	7.55	3.58	2.54
THE36B32S	TM8Y080B12MP11	17.5	XAF/XAUB36D	1150	35.0	25.6	14.00	12.00	35.6	23.6	8.20	6.55	3.46	2.36
THE36B32S	TM8Y080B12MP11	21.0	XAF/XAUC48F	1175	35.4	26.5	14.00	12.00	35.6	23.4	8.20	6.65	3.62	2.50
THE36B32S	TM8Y080B12MP11	21.0	XAFC36D	1175	35.2	25.9	14.00	12.00	35.6	23.6	8.20	6.45	3.48	2.36
THE36B32S	TM8Y080B12MP11	21.0	XAHC48F	1175	34.8	25.7	14.00	11.50	34.4	23.2	8.20	6.65	3.54	2.54

SYSTEM CAPACITY - With High Efficiency Motor Furnaces¹ (Continued)

UNIT MODEL	FURNACE		COIL MODEL ²	COOLING					HEATING					
	MODEL	WIDTH		RATED CFM	NET MBH		SEER	EER	NET MBH		HSPF Region IV	HSPF Region V	COP	
					TOTAL	SENS.			47°F OD	17°F OD			47°F OD	17°F OD
THE36B32S	TM8Y080C16MP11	21.0	CF/CM/CU48C	950	36.0	25.2	15.50	13.00	35.2	22.8	8.75	7.80	3.52	2.52
THE36B32S	TM8Y080C16MP11	21.0	CF/CM/CU48D	975	36.0	25.4	15.75	13.00	35.0	22.6	8.75	7.90	3.58	2.56
THE36B32S	TM8Y080C16MP11	21.0	XAF/XAUC48F	1150	35.6	26.5	15.00	12.50	35.6	23.2	8.55	6.80	3.68	2.54
THE36B32S	TM8Y080C16MP11	21.0	XAFC36D	1125	35.2	25.7	15.00	12.50	35.6	23.4	8.55	7.05	3.52	2.38
THE36B32S	TM8Y080C16MP11	24.5	XAFD48F	1150	35.6	26.5	15.00	12.50	35.6	23.2	8.55	6.80	3.68	2.54
THE36B32S	TM8Y080C16MP11	21.0	XAHC36D	1300	35.6	27.4	14.00	12.00	35.6	23.2	8.20	6.60	3.44	2.34
THE36B32S	TM8Y080C16MP11	21.0	XAHC48F	1125	34.8	25.4	14.50	12.00	34.0	23.0	8.55	6.90	3.58	2.58
THE36B32S	TM8Y080C16MP11	24.5	XAHD48F	1150	35.0	25.8	14.50	12.00	34.2	23.0	9.00	7.55	3.62	2.58
THE36B32S	TM8Y100C16MP11	21.0	CF/CM/CU48C	950	36.0	25.2	15.50	13.00	35.2	22.8	8.75	7.80	3.52	2.52
THE36B32S	TM8Y100C16MP11	21.0	CF/CM/CU48D	975	36.0	25.4	15.75	13.00	35.0	22.6	8.75	7.90	3.58	2.56
THE36B32S	TM8Y100C16MP11	21.0	XAF/XAUC48F	1150	35.6	26.5	15.00	12.50	35.6	23.2	8.55	6.80	3.68	2.54
THE36B32S	TM8Y100C16MP11	21.0	XAFC36D	1125	35.2	25.7	15.00	12.50	35.6	23.4	8.55	7.05	3.52	2.38
THE36B32S	TM8Y100C16MP11	24.5	XAFD48F	1150	35.6	26.5	15.00	12.50	35.6	23.2	8.55	6.80	3.68	2.54
THE36B32S	TM8Y100C16MP11	21.0	XAHC36D	1125	35.0	25.8	14.50	12.00	34.8	22.6	8.20	6.75	3.36	2.34
THE36B32S	TM8Y100C16MP11	21.0	XAHC48F	1125	34.8	25.4	14.50	12.00	34.0	23.0	8.55	6.90	3.58	2.58
THE36B32S	TM8Y100C16MP11	24.5	XAHD48F	1150	35.0	25.8	14.50	12.00	34.2	23.0	9.00	7.55	3.62	2.58
THE36B32S	TM8Y100C20MP11	21.0	CF/CM/CU48C	1000	36.0	25.6	15.75	13.00	35.0	22.6	8.75	7.90	3.62	2.56
THE36B32S	TM8Y100C20MP11	21.0	CF/CM/CU48D	1000	36.0	25.6	15.75	13.00	35.0	22.6	8.75	7.90	3.62	2.56
THE36B32S	TM8Y100C20MP11	21.0	XAF/XAUC48F	1200	35.6	27.1	15.00	12.50	35.6	23.2	9.00	7.35	3.72	2.56
THE36B32S	TM8Y100C20MP11	21.0	XAFC36D	1175	35.4	26.1	15.00	12.50	35.6	23.4	8.55	6.90	3.56	2.40
THE36B32S	TM8Y100C20MP11	24.5	XAFD48F	1200	35.6	27.3	15.00	12.50	35.6	23.2	9.00	7.35	3.74	2.56
THE36B32S	TM8Y100C20MP11	21.0	XAHC36D	1150	35.2	26.2	14.50	12.50	35.0	22.6	8.20	6.65	3.40	2.34
THE36B32S	TM8Y100C20MP11	21.0	XAHC48F	1175	35.0	25.9	14.50	12.00	34.4	23.0	9.00	7.55	3.62	2.58
THE36B32S	TM8Y100C20MP11	24.5	XAHD48F	1200	35.2	26.3	14.50	12.50	34.4	22.8	9.00	7.45	3.66	2.60
THE36B32S	TM8Y120C20MP11	21.0	CF/CM/CU48C	1000	36.0	25.6	15.75	13.00	35.0	22.6	8.75	7.90	3.62	2.56
THE36B32S	TM8Y120C20MP11	21.0	CF/CM/CU48D	1000	36.0	25.6	15.75	13.00	35.0	22.6	8.75	7.90	3.62	2.56
THE36B32S	TM8Y120C20MP11	21.0	XAF/XAUC48F	1200	35.6	27.1	15.00	12.50	35.6	23.2	9.00	7.35	3.72	2.56
THE36B32S	TM8Y120C20MP11	21.0	XAFC36D	1175	35.4	26.1	15.00	12.50	35.6	23.4	8.55	6.90	3.56	2.40
THE36B32S	TM8Y120C20MP11	24.5	XAFD48F	1200	35.6	27.3	15.00	12.50	35.6	23.2	9.00	7.35	3.74	2.56
THE36B32S	TM8Y120C20MP11	21.0	XAHC36D	1150	35.2	26.2	14.50	12.50	35.0	22.6	8.20	6.65	3.40	2.34
THE36B32S	TM8Y120C20MP11	21.0	XAHC48F	1175	35.0	25.9	14.50	12.00	34.4	23.0	9.00	7.55	3.62	2.58
THE36B32S	TM8Y120C20MP11	24.5	XAHD48F	1200	35.2	26.3	14.50	12.50	34.4	22.8	9.00	7.45	3.66	2.60
THE36B32S	TM9E060A10MP12	17.5	XAF/XAUB36D	1025	34.6	24.5	14.00	12.00	35.6	23.6	8.20	6.75	3.36	2.32
THE36B32S	TM9E060B12MP11	17.5	CF/CM/CU48C	1150	36.0	27.2	14.75	12.25	35.4	23.2	8.75	7.55	3.56	2.50
THE36B32S	TM9E060B12MP12	17.5	XAF/XAUB36D	1050	34.8	24.8	14.00	12.00	35.6	23.6	8.20	6.75	3.38	2.32
THE36B32S	TM9E060B12MP12	21.0	XAF/XAUC48F	1075	35.0	25.4	14.00	12.00	35.6	23.4	8.55	6.85	3.54	2.46
THE36B32S	TM9E060B12MP12	21.0	XAFC36D	1050	34.8	24.8	14.00	12.00	35.6	23.6	8.20	6.75	3.38	2.32

SYSTEM CAPACITY - With High Efficiency Motor Furnaces¹ (Continued)

UNIT MODEL	FURNACE		COIL MODEL ²	COOLING					HEATING					
	MODEL	WIDTH		RATED CFM	NET MBH		SEER	EER	NET MBH		HSPF Region IV	HSPF Region V	COP	
					TOTAL	SENS.			47°F OD	17°F OD			47°F OD	17°F OD
THE36B32S	TM9E080B12MP11	17.5	CF/CM/CU48C	1000	36.0	25.8	15.25	12.75	35.2	22.8	8.75	7.55	3.56	2.52
THE36B32S	TM9E080B12MP12	17.5	XAF/XAUB36D	1025	34.8	24.7	14.50	12.00	35.6	23.4	8.20	6.70	3.40	2.34
THE36B32S	TM9E080B12MP12	21.0	XAF/XAUC48F	1050	35.0	25.2	14.50	12.00	35.6	23.2	8.55	7.05	3.58	2.48
THE36B32S	TM9E080B12MP12	21.0	XAFC36D	1025	34.8	24.7	14.50	12.00	35.6	23.4	8.20	6.70	3.40	2.34
THE36B32S	TM9E080B12MP12	21.0	XAHC48F	1025	34.4	24.2	14.00	12.00	34.0	23.2	8.20	6.90	3.48	2.54
THE36B32S	TM9E080C16MP11	21.0	CF/CM/CU48C	1150	36.0	27.2	15.25	12.75	35.2	22.8	8.75	7.50	3.64	2.54
THE36B32S	TM9E080C16MP11	21.0	CF/CM/CU48D	1150	36.0	27.2	15.25	12.75	35.2	22.8	8.75	7.50	3.64	2.54
THE36B32S	TM9E080C16MP12	21.0	XAF/XAUC48F	1050	35.2	25.4	14.50	12.50	35.6	23.2	8.55	6.95	3.60	2.50
THE36B32S	TM9E080C16MP12	21.0	XAFC36D	1050	34.8	25.0	14.50	12.50	35.6	23.4	8.20	6.55	3.46	2.36
THE36B32S	TM9E080C16MP12	24.5	XAFD48F	1075	35.2	25.6	14.50	12.50	35.6	23.2	8.55	6.90	3.62	2.50
THE36B32S	TM9E080C16MP12	21.0	XAHC36D	1200	35.2	26.5	14.00	12.00	35.0	23.0	8.20	6.80	3.38	2.32
THE36B32S	TM9E080C16MP12	21.0	XAHC48F	1050	34.6	24.5	14.50	12.00	34.0	23.0	8.55	7.05	3.52	2.56
THE36B32S	TM9E080C16MP12	24.5	XAHD48F	1075	34.8	24.9	14.50	12.00	34.0	23.0	8.55	7.00	3.56	2.58
THE36B32S	TM9E080C20MP12	21.0	XAF/XAUC48F	1200	35.6	27.1	15.00	12.50	35.6	23.2	9.00	7.40	3.72	2.54
THE36B32S	TM9E080C20MP12	21.0	XAFC36D	1175	35.4	26.1	15.00	12.50	35.6	23.4	8.55	7.00	3.54	2.40
THE36B32S	TM9E080C20MP12	24.5	XAFD48F	1225	35.6	27.4	15.00	12.50	35.6	23.2	9.00	7.35	3.74	2.56
THE36B32S	TM9E080C20MP12	21.0	XAHC36D	1150	35.2	26.2	14.50	12.00	35.0	22.6	8.20	6.75	3.38	2.34
THE36B32S	TM9E080C20MP12	21.0	XAHC48F	1175	35.0	25.9	14.50	12.00	34.4	23.0	9.00	7.50	3.62	2.58
THE36B32S	TM9E080C20MP12	24.5	XAHD48F	1200	35.2	26.3	14.50	12.00	34.4	22.8	9.00	7.45	3.66	2.60
THE36B32S	TM9E100C16MP11	21.0	CF/CM/CU48C	1000	36.0	25.6	15.50	13.00	35.0	22.6	8.75	7.90	3.60	2.54
THE36B32S	TM9E100C16MP11	21.0	CF/CM/CU48D	1000	36.0	25.6	15.50	13.00	35.0	22.6	8.75	7.90	3.60	2.54
THE36B32S	TM9E100C16MP12	21.0	XAF/XAUC48F	1050	35.2	25.4	15.00	12.50	35.6	23.0	8.55	7.00	3.62	2.50
THE36B32S	TM9E100C16MP12	21.0	XAFC36D	1225	35.4	26.3	14.50	12.00	35.6	23.6	8.20	6.70	3.52	2.38
THE36B32S	TM9E100C16MP12	24.5	XAFD48F	1050	35.2	25.4	15.00	12.50	35.6	23.0	8.55	6.90	3.62	2.50
THE36B32S	TM9E100C16MP12	21.0	XAHC36D	1225	35.4	26.8	14.00	12.00	35.0	23.0	8.20	6.65	3.40	2.34
THE36B32S	TM9E100C16MP12	21.0	XAHC48F	1025	34.6	24.4	14.50	12.00	34.0	23.0	8.55	7.10	3.52	2.56
THE36B32S	TM9E100C16MP12	24.5	XAHD48F	1050	34.8	24.7	14.50	12.00	34.0	23.0	8.55	7.00	3.54	2.58
THE36B32S	TM9E100C20MP11	21.0	CF/CM/CU48C	1175	36.0	27.4	15.50	13.00	35.2	22.8	8.75	7.95	3.68	2.56
THE36B32S	TM9E100C20MP11	21.0	CF/CM/CU48D	1200	36.0	27.6	15.50	13.00	35.2	22.8	9.00	7.95	3.70	2.56
THE36B32S	TM9E100C20MP12	21.0	XAF/XAUC48F	1175	35.6	26.9	15.00	12.50	35.6	23.2	9.00	7.40	3.70	2.54
THE36B32S	TM9E100C20MP12	21.0	XAFC36D	1150	35.4	26.0	15.00	12.50	35.6	23.4	8.55	6.95	3.54	2.40
THE36B32S	TM9E100C20MP12	24.5	XAFD48F	1200	35.6	27.1	15.00	12.50	35.6	23.2	9.00	7.35	3.74	2.56
THE36B32S	TM9E100C20MP12	21.0	XAHC36D	1150	35.2	26.2	14.50	12.50	35.0	22.6	8.20	6.75	3.38	2.34
THE36B32S	TM9E100C20MP12	21.0	XAHC48F	1150	35.0	25.8	14.50	12.00	34.4	23.0	8.55	6.90	3.60	2.58
THE36B32S	TM9E100C20MP12	24.5	XAHD48F	1200	35.2	26.3	14.50	12.50	34.4	22.8	9.00	7.45	3.66	2.60
THE36B32S	TM9E120D20MP11	24.5	CF/CM/CU48D	950	36.0	25.2	15.75	13.00	35.2	22.6	8.75	7.80	3.54	2.52
THE36B32S	TM9E120D20MP12	24.5	XAFD48F	1225	35.6	27.4	15.00	12.50	35.6	23.2	9.00	7.35	3.74	2.56

SYSTEM CAPACITY - With High Efficiency Motor Furnaces¹ (Continued)

UNIT MODEL	FURNACE		COIL MODEL ²	COOLING					HEATING					
	MODEL	WIDTH		RATED CFM	NET MBH		SEER	EER	NET MBH		HSPF Region IV	HSPF Region V	COP	
					TOTAL	SENS.			47°F OD	17°F OD			47°F OD	17°F OD
THE36B32S	TM9E120D20MP12	24.5	XAHD48F	1200	35.2	26.3	14.50	12.00	34.4	23.0	9.00	7.55	3.64	2.58
THE36B32S	TM9V060B12MP12C	17.5	CF/CM/CU48C	1000	36.0	25.6	14.75	12.50	35.2	23.0	8.50	7.35	3.52	2.50
THE36B32S	TM9V060B12MP12C	17.5	XAF/XAUB36D	1000	34.6	24.4	14.00	12.00	35.6	23.6	8.20	6.75	3.38	2.32
THE36B32S	TM9V060B12MP12C	21.0	XAF/XAUC48F	1000	34.8	24.5	14.00	12.00	35.4	23.2	8.55	6.95	3.54	2.46
THE36B32S	TM9V060B12MP12C	21.0	XAFC36D	1000	34.6	24.4	14.00	12.00	35.6	23.4	8.20	6.75	3.38	2.34
THE36B32S	TM9V080B12MP12C	17.5	CF/CM/CU48C	1050	36.0	26.2	15.25	12.75	35.2	22.8	8.75	7.55	3.60	2.52
THE36B32S	TM9V080B12MP12C	17.5	XAF/XAUB36D	1100	34.8	25.2	14.00	12.00	35.6	23.6	8.20	6.50	3.44	2.36
THE36B32S	TM9V080B12MP12C	21.0	XAF/XAUC48F	1075	35.0	25.4	14.50	12.00	35.6	23.2	8.55	6.95	3.60	2.50
THE36B32S	TM9V080B12MP12C	21.0	XAFC36D	1100	34.8	25.2	14.50	12.00	35.6	23.4	8.20	6.55	3.46	2.36
THE36B32S	TM9V080B12MP12C	21.0	XAHC48F	1075	34.6	24.7	14.00	12.00	34.0	23.2	8.20	6.70	3.52	2.56
THE36B32S	TM9V080C16MP12C	21.0	CF/CM/CU48C	1025	36.0	26.0	15.25	13.00	35.0	22.8	8.75	7.85	3.58	2.54
THE36B32S	TM9V080C16MP12C	21.0	CF/CM/CU48D	950	36.0	25.2	15.50	13.00	35.2	22.8	8.50	7.80	3.52	2.52
THE36B32S	TM9V080C16MP12C	21.0	XAF/XAUC48F	1125	35.4	26.1	14.50	12.00	35.6	23.2	8.55	6.90	3.64	2.52
THE36B32S	TM9V080C16MP12C	21.0	XAFC36D	1125	35.0	25.5	14.50	12.00	35.6	23.4	8.20	6.45	3.48	2.38
THE36B32S	TM9V080C16MP12C	24.5	XAFD48F	1225	35.6	27.2	14.50	12.00	35.6	23.4	8.55	6.75	3.68	2.52
THE36B32S	TM9V080C16MP12C	21.0	XAHC36D	1225	35.2	26.6	14.00	11.50	35.0	23.0	8.20	6.75	3.38	2.32
THE36B32S	TM9V080C16MP12C	21.0	XAHC48F	1125	34.8	25.2	14.00	12.00	34.0	23.0	8.20	6.70	3.56	2.56
THE36B32S	TM9V080C16MP12C	24.5	XAHD48F	1225	35.0	26.2	14.00	12.00	34.6	23.0	8.20	6.50	3.62	2.56
THE36B32S	TM9V100C16MP12C	21.0	CF/CM/CU48C	1050	36.0	26.2	15.50	13.00	35.0	22.6	8.75	7.90	3.64	2.54
THE36B32S	TM9V100C16MP12C	21.0	CF/CM/CU48D	975	36.0	25.4	15.50	13.00	35.0	22.6	8.75	7.90	3.58	2.56
THE36B32S	TM9V100C16MP12C	21.0	XAF/XAUC48F	1100	35.4	26.0	15.00	12.50	35.6	23.0	8.55	6.85	3.66	2.54
THE36B32S	TM9V100C16MP12C	21.0	XAFC36D	1100	35.0	25.4	15.00	12.50	35.6	23.2	8.55	7.05	3.50	2.40
THE36B32S	TM9V100C16MP12C	24.5	XAFD48F	1175	35.6	26.9	15.00	12.50	35.6	23.2	9.00	7.40	3.72	2.54
THE36B32S	TM9V100C16MP12C	21.0	XAHC36D	1100	34.8	25.5	14.50	12.00	34.4	22.6	8.20	6.80	3.36	2.34
THE36B32S	TM9V100C16MP12C	21.0	XAHC48F	1100	34.8	25.3	14.50	12.00	34.0	23.0	8.55	6.90	3.58	2.58
THE36B32S	TM9V100C16MP12C	24.5	XAHD48F	1175	35.0	25.9	14.50	12.00	34.4	22.8	9.00	7.55	3.64	2.60
THE36B32S	TM9V100C20MP12C	21.0	CF/CM/CU48C	1100	36.0	26.6	15.50	13.00	35.2	22.8	8.75	7.95	3.66	2.56
THE36B32S	TM9V100C20MP12C	21.0	CF/CM/CU48D	1100	36.0	26.6	15.50	13.00	35.2	22.6	8.75	7.95	3.66	2.56
THE36B32S	TM9V100C20MP12C	21.0	XAF/XAUC48F	1100	35.4	26.0	14.50	12.50	35.6	23.2	8.55	6.85	3.66	2.52
THE36B32S	TM9V100C20MP12C	21.0	XAFC36D	1225	35.4	26.3	14.50	12.00	35.6	23.4	8.55	7.00	3.56	2.40
THE36B32S	TM9V100C20MP12C	24.5	XAFD48F	1100	35.4	26.0	14.50	12.50	35.6	23.0	8.55	6.85	3.66	2.52
THE36B32S	TM9V100C20MP12C	21.0	XAHC36D	1225	35.4	26.8	14.00	12.00	35.0	22.8	8.20	6.70	3.42	2.34
THE36B32S	TM9V100C20MP12C	21.0	XAHC48F	1225	35.0	26.2	14.00	12.00	34.6	23.0	8.20	6.55	3.64	2.58
THE36B32S	TM9V100C20MP12C	24.5	XAHD48F	1100	34.8	25.1	14.50	12.00	34.0	23.0	8.55	6.90	3.58	2.58
THE36B32S	TM9V120D20MP12C	24.5	CF/CM/CU48D	1050	36.0	26.2	15.75	13.00	35.0	22.6	8.75	7.95	3.66	2.56
THE36B32S	TM9V120D20MP12C	24.5	XAFD48F	1200	35.6	27.1	15.00	12.50	35.6	23.2	9.00	7.35	3.74	2.56
THE36B32S	TM9V120D20MP12C	24.5	XAHD48F	1200	35.2	26.3	14.50	12.00	34.4	22.8	9.00	7.45	3.66	2.60

SYSTEM CAPACITY - With High Efficiency Motor Furnaces¹ (Continued)

UNIT MODEL	FURNACE		COIL MODEL ²	COOLING					HEATING					
	MODEL	WIDTH		RATED CFM	NET MBH		SEER	EER	NET MBH		HSPF Region IV	HSPF Region V	COP	
					TOTAL	SENS.			47°F OD	17°F OD			47°F OD	17°F OD
THE36B32S	TM9Y060B12MP11	17.5	CF/CM/CU48C	1150	36.0	27.2	14.75	12.25	35.4	23.2	8.75	7.55	3.56	2.50
THE36B32S	TM9Y060B12MP11	17.5	XAF/XAUB36D	1100	34.8	25.0	14.00	11.50	35.6	23.8	8.20	6.65	3.40	2.32
THE36B32S	TM9Y060B12MP11	21.0	XAF/XAUC48F	1125	35.2	25.9	14.00	11.50	35.6	23.6	8.20	6.50	3.56	2.46
THE36B32S	TM9Y060B12MP11	21.0	XAFC36D	1100	34.8	25.0	14.00	11.50	35.6	23.8	8.20	6.65	3.40	2.32
THE36B32S	TM9Y080B12MP11	17.5	CF/CM/CU48C	1000	36.0	25.8	15.25	12.75	35.2	22.8	8.75	7.55	3.56	2.52
THE36B32S	TM9Y080B12MP11	17.5	XAF/XAUB36D	1125	34.8	25.3	14.00	12.00	35.6	23.8	8.20	6.60	3.42	2.34
THE36B32S	TM9Y080B12MP11	21.0	XAF/XAUC48F	1150	35.2	26.1	14.00	12.00	35.6	23.6	8.20	6.70	3.58	2.48
THE36B32S	TM9Y080B12MP11	21.0	XAFC36D	1150	35.0	25.6	14.00	12.00	35.6	23.8	8.20	6.60	3.44	2.34
THE36B32S	TM9Y080C16MP11	21.0	CF/CM/CU48C	1150	36.0	27.2	15.25	12.75	35.2	22.8	8.75	7.50	3.64	2.54
THE36B32S	TM9Y080C16MP11	21.0	CF/CM/CU48D	1150	36.0	27.2	15.25	12.75	35.2	22.8	8.75	7.50	3.64	2.54
THE36B32S	TM9Y080C16MP11	21.0	XAF/XAUC48F	1100	35.2	25.8	14.50	12.00	35.6	23.2	8.55	7.00	3.62	2.50
THE36B32S	TM9Y080C16MP11	21.0	XAFC36D	1100	35.0	25.4	14.50	12.00	35.6	23.4	8.20	6.55	3.46	2.36
THE36B32S	TM9Y080C16MP11	24.5	XAFD48F	1125	35.4	26.1	14.50	12.00	35.6	23.2	8.55	6.90	3.64	2.50
THE36B32S	TM9Y080C16MP11	21.0	XAHC36D	1200	35.2	26.5	14.00	12.00	35.0	23.0	8.20	6.80	3.36	2.32
THE36B32S	TM9Y080C16MP11	21.0	XAHC48F	1100	34.8	25.1	14.00	12.00	34.0	23.0	8.20	6.70	3.54	2.56
THE36B32S	TM9Y080C16MP11	24.5	XAHD48F	1125	34.8	25.4	14.00	12.00	34.0	23.0	8.20	6.65	3.56	2.56
THE36B32S	TM9Y100C16MP11	21.0	CF/CM/CU48C	1000	36.0	25.6	15.50	13.00	35.0	22.6	8.75	7.90	3.60	2.54
THE36B32S	TM9Y100C16MP11	21.0	CF/CM/CU48D	1000	36.0	25.6	15.50	13.00	35.0	22.6	8.75	7.90	3.60	2.54
THE36B32S	TM9Y100C16MP11	21.0	XAF/XAUC48F	1125	35.4	26.1	14.50	12.50	35.6	23.2	8.55	6.90	3.64	2.52
THE36B32S	TM9Y100C16MP11	21.0	XAFC36D	1100	35.0	25.4	14.50	12.50	35.6	23.4	8.20	6.45	3.48	2.38
THE36B32S	TM9Y100C16MP11	24.5	XAFD48F	1125	35.4	26.1	14.50	12.50	35.6	23.2	8.55	6.85	3.64	2.52
THE36B32S	TM9Y100C16MP11	21.0	XAHC36D	1200	35.2	26.5	14.00	12.00	35.0	23.0	8.20	6.70	3.38	2.32
THE36B32S	TM9Y100C16MP11	21.0	XAHC48F	1100	34.8	25.1	14.00	12.00	34.0	23.0	8.20	6.70	3.54	2.56
THE36B32S	TM9Y100C16MP11	24.5	XAHD48F	1125	34.8	25.4	14.50	12.00	34.0	23.0	8.55	7.00	3.58	2.58
THE36B32S	TM9Y100C20MP11	21.0	CF/CM/CU48C	1175	36.0	27.4	15.50	13.00	35.2	22.8	8.75	7.95	3.68	2.56
THE36B32S	TM9Y100C20MP11	21.0	CF/CM/CU48D	1200	36.0	27.6	15.50	13.00	35.2	22.8	9.00	7.95	3.70	2.56
THE36B32S	TM9Y100C20MP11	21.0	XAF/XAUC48F	1150	35.6	26.5	14.50	12.50	35.6	23.2	8.55	6.85	3.66	2.52
THE36B32S	TM9Y100C20MP11	21.0	XAFC36D	1300	35.6	27.0	14.50	12.00	35.6	23.8	8.55	6.90	3.58	2.38
THE36B32S	TM9Y100C20MP11	24.5	XAFD48F	1150	35.6	26.5	14.50	12.50	35.6	23.2	8.55	6.85	3.66	2.52
THE36B32S	TM9Y100C20MP11	21.0	XAHC36D	1275	35.6	27.3	14.00	12.00	35.6	23.0	8.20	6.65	3.44	2.34
THE36B32S	TM9Y100C20MP11	21.0	XAHC48F	1125	34.8	25.4	14.00	12.00	34.0	23.0	8.20	6.65	3.56	2.56
THE36B32S	TM9Y100C20MP11	24.5	XAHD48F	1150	35.0	25.8	14.50	12.00	34.4	23.0	8.55	6.90	3.60	2.58
THE36B32S	TM9Y120D20MP11	24.5	CF/CM/CU48D	950	36.0	25.2	15.75	13.00	35.2	22.6	8.75	7.80	3.54	2.52
THE36B32S	TM9Y120D20MP11	24.5	XAFD48F	1225	35.6	27.4	15.00	12.50	35.6	23.2	9.00	7.35	3.74	2.56
THE36B32S	TM9Y120D20MP11	24.5	XAHD48F	1225	35.4	26.6	14.50	12.00	34.4	22.8	9.00	7.45	3.68	2.60
THE36B32S	TMLE040A12MP11	17.5	XAF/XAUB36D	1000	34.8	24.6	14.50	12.00	35.6	23.4	8.20	6.70	3.42	2.36
THE36B32S	TMLE040A12MP11	14.5	XAFA30D	1125	34.8	25.3	14.00	12.00	35.6	23.8	8.20	6.70	3.42	2.34

SYSTEM CAPACITY - With High Efficiency Motor Furnaces¹ (Continued)

UNIT MODEL	FURNACE		COIL MODEL ²	COOLING					HEATING					
	MODEL	WIDTH		RATED CFM	NET MBH		SEER	EER	NET MBH		HSPF Region IV	HSPF Region V	COP	
					TOTAL	SENS.			47°F OD	17°F OD			47°F OD	17°F OD
THE36B32S	TMLE060A12MP11	17.5	XAF/XAUB36D	1000	34.8	24.6	14.50	12.00	35.6	23.4	8.20	6.70	3.40	2.36
THE36B32S	TMLE060A12MP11	14.5	XAFA30D	1150	34.8	25.4	14.00	11.50	35.6	23.8	8.20	6.65	3.42	2.32
THE36B32S	TMLE080B12MP11	17.5	XAF/XAUB36D	1000	34.8	24.6	14.50	12.00	35.6	23.4	8.20	6.70	3.40	2.34
THE36B32S	TMLE080B12MP11	21.0	XAF/XAUC48F	1025	35.0	25.1	14.50	12.00	35.6	23.2	8.55	7.05	3.58	2.48
THE36B32S	TMLE080B12MP11	21.0	XAFC36D	1000	34.8	24.6	14.50	12.00	35.6	23.4	8.20	6.70	3.40	2.34
THE36B32S	TMLE080B12MP11	21.0	XAHC48F	1000	34.4	24.0	14.00	12.00	34.0	23.2	8.20	6.80	3.48	2.56
THE36B32S	TMLE080C16MP11	21.0	XAF/XAUC48F	1075	35.4	25.8	15.00	12.50	35.6	23.0	8.55	6.90	3.64	2.52
THE36B32S	TMLE080C16MP11	21.0	XAFC36D	1225	35.6	26.5	14.50	12.00	35.6	23.6	8.55	7.00	3.56	2.40
THE36B32S	TMLE080C16MP11	24.5	XAFD48F	1075	35.4	25.8	15.00	12.50	35.6	23.0	8.55	6.85	3.64	2.52
THE36B32S	TMLE080C16MP11	21.0	XAHC36D	1225	35.4	26.8	14.00	12.00	35.0	22.8	8.20	6.70	3.42	2.34
THE36B32S	TMLE080C16MP11	21.0	XAHC48F	1050	34.8	24.7	14.50	12.00	34.0	23.0	8.55	7.00	3.54	2.58
THE36B32S	TMLE080C16MP11	24.5	XAHD48F	1075	34.8	24.9	14.50	12.00	34.0	23.0	8.55	6.90	3.58	2.58
THE36B32S	TMLE080C20MP11	21.0	XAF/XAUC48F	1225	35.6	27.4	15.00	12.50	35.6	23.2	9.00	7.35	3.74	2.56
THE36B32S	TMLE080C20MP11	21.0	XAFC36D	1200	35.6	26.4	15.00	12.50	35.6	23.4	8.55	6.90	3.58	2.40
THE36B32S	TMLE080C20MP11	24.5	XAFD48F	1225	35.6	27.4	15.00	12.50	35.6	23.2	9.00	7.35	3.74	2.56
THE36B32S	TMLE080C20MP11	21.0	XAHC36D	1175	35.4	26.5	14.50	12.50	35.0	22.6	8.20	6.65	3.42	2.36
THE36B32S	TMLE080C20MP11	21.0	XAHC48F	1200	35.2	26.3	14.50	12.00	34.4	23.0	9.00	7.55	3.64	2.58
THE36B32S	TMLE080C20MP11	24.5	XAHD48F	1225	35.4	26.6	14.50	12.00	34.4	22.8	9.00	7.45	3.68	2.60
THE36B32S	TMLE100B12MP11	17.5	XAF/XAUB36D	1050	34.8	25.0	14.50	12.00	35.6	23.4	8.20	6.60	3.44	2.36
THE36B32S	TMLE100B12MP11	21.0	XAF/XAUC48F	1075	35.2	25.6	14.50	12.00	35.6	23.2	8.55	6.95	3.60	2.50
THE36B32S	TMLE100B12MP11	21.0	XAFC36D	1050	34.8	25.0	14.50	12.00	35.6	23.4	8.20	6.60	3.44	2.36
THE36B32S	TMLE100B12MP11	21.0	XAHC36D	1200	35.0	26.3	14.00	11.50	35.0	23.0	8.20	6.80	3.36	2.32
THE36B32S	TMLE100B12MP11	21.0	XAHC48F	1050	34.6	24.5	14.00	12.00	34.0	23.2	8.20	6.80	3.50	2.56
THE36B32S	TMLE100C16MP11	21.0	XAF/XAUC48F	1075	35.4	25.8	15.00	12.50	35.6	23.0	8.55	6.90	3.64	2.52
THE36B32S	TMLE100C16MP11	21.0	XAFC36D	1250	35.6	26.6	14.50	12.00	35.6	23.6	8.55	7.00	3.56	2.40
THE36B32S	TMLE100C16MP11	24.5	XAFD48F	1100	35.4	26.0	15.00	12.50	35.6	23.0	8.55	6.85	3.66	2.52
THE36B32S	TMLE100C16MP11	21.0	XAHC36D	1250	35.6	27.2	14.00	12.00	35.0	23.0	8.20	6.60	3.44	2.34
THE36B32S	TMLE100C16MP11	21.0	XAHC48F	1050	34.8	24.7	14.50	12.00	34.0	23.0	8.55	7.10	3.54	2.58
THE36B32S	TMLE100C16MP11	24.5	XAHD48F	1100	34.8	25.3	14.50	12.00	34.0	23.0	8.55	6.90	3.58	2.58
THE36B32S	TMLE100C20MP11	21.0	XAF/XAUC48F	1225	35.6	27.4	15.00	12.50	35.6	23.2	9.00	7.35	3.74	2.56
THE36B32S	TMLE100C20MP11	21.0	XAFC36D	1200	35.6	26.4	15.00	12.50	35.6	23.4	8.55	6.90	3.56	2.40
THE36B32S	TMLE100C20MP11	24.5	XAFD48F	1225	35.6	27.4	15.00	12.50	35.6	23.2	9.00	7.35	3.74	2.56
THE36B32S	TMLE100C20MP11	21.0	XAHC36D	1175	35.2	26.3	14.50	12.00	35.0	22.6	8.20	6.65	3.40	2.36
THE36B32S	TMLE100C20MP11	21.0	XAHC48F	1200	35.2	26.3	14.50	12.00	34.4	23.0	9.00	7.55	3.64	2.58
THE36B32S	TMLE100C20MP11	24.5	XAHD48F	1225	35.4	26.6	14.50	12.00	34.4	22.8	9.00	7.45	3.68	2.60
THE36B32S	TMLE120C16MP11	21.0	XAF/XAUC48F	1075	35.4	25.8	15.00	12.50	35.6	23.0	8.55	6.90	3.64	2.52
THE36B32S	TMLE120C16MP11	21.0	XAFC36D	1250	35.6	26.6	14.50	12.00	35.6	23.6	8.55	6.90	3.56	2.40

SYSTEM CAPACITY - With High Efficiency Motor Furnaces¹ (Continued)

UNIT MODEL	FURNACE		COIL MODEL ²	COOLING					HEATING					
	MODEL	WIDTH		RATED CFM	NET MBH		SEER	EER	NET MBH		HSPF Region IV	HSPF Region V	COP	
					TOTAL	SENS.			47°F OD	17°F OD			47°F OD	17°F OD
THE36B32S	TMLE120C16MP11	24.5	XAFD48F	1100	35.4	26.0	15.00	12.50	35.6	23.0	8.55	6.85	3.66	2.52
THE36B32S	TMLE120C16MP11	21.0	XAHC36D	1250	35.6	27.2	14.00	12.00	35.0	23.0	8.20	6.60	3.44	2.34
THE36B32S	TMLE120C16MP11	21.0	XAHC48F	1075	34.8	24.9	14.50	12.00	34.0	23.0	8.55	7.00	3.56	2.58
THE36B32S	TMLE120C16MP11	24.5	XAHD48F	1300	35.6	27.3	14.50	12.00	34.8	23.0	9.00	7.40	3.68	2.58
THE36B32S	TMLE120C20MP11	21.0	XAF/XAUC48F	1250	35.6	27.6	15.00	12.50	35.6	23.2	9.00	7.35	3.74	2.56
THE36B32S	TMLE120C20MP11	21.0	XAFC36D	1225	35.6	26.5	15.00	12.50	35.6	23.4	8.55	6.90	3.58	2.40
THE36B32S	TMLE120C20MP11	24.5	XAFD48F	1275	35.6	28.0	15.00	12.50	35.6	23.2	9.00	7.30	3.78	2.56
THE36B32S	TMLE120C20MP11	21.0	XAHC36D	1225	35.6	27.0	14.50	12.50	35.0	22.8	8.20	6.60	3.44	2.36
THE36B32S	TMLE120C20MP11	21.0	XAHC48F	1225	35.2	26.4	14.50	12.00	34.6	23.0	9.00	7.50	3.66	2.58
THE36B32S	TMLE120C20MP11	24.5	XAHD48F	1275	35.6	27.1	14.50	12.00	34.6	22.8	9.00	7.35	3.70	2.60
THE36B32S	TMLE130D20MP11	24.5	XAFD48F	1275	35.6	28.0	15.00	12.50	35.6	23.2	9.00	7.30	3.78	2.58
THE36B32S	TMLE130D20MP11	24.5	XAHD48F	1250	35.4	26.8	14.50	12.00	34.4	22.8	9.00	7.45	3.68	2.60
THE36B32S	TMLV060A12MP12C	17.5	XAF/XAUB36D	1075	34.8	25.1	14.50	12.00	35.6	23.4	8.20	6.60	3.44	2.36
THE36B32S	TMLV060A12MP12C	14.5	XAFA30D	1075	34.8	24.9	14.00	12.00	35.6	23.6	8.20	6.65	3.40	2.34
THE36B32S	TMLV080B12MP12C	17.5	CF/CM/CU48C	1000	36.0	25.6	14.75	12.50	35.2	23.0	8.50	7.35	3.52	2.50
THE36B32S	TMLV080C16MP12C	21.0	CF/CM/CU48C	1050	36.0	26.2	15.50	13.00	35.2	22.6	8.75	7.90	3.64	2.54
THE36B32S	TMLV080C16MP12C	21.0	CF/CM/CU48D	950	36.0	25.2	15.50	13.00	35.2	22.8	8.75	7.80	3.52	2.52
THE36B32S	TMLV100C16MP12C	21.0	CF/CM/CU48C	1050	36.0	26.2	15.50	13.00	35.2	22.6	8.75	7.90	3.64	2.54
THE36B32S	TMLV100C16MP12C	21.0	CF/CM/CU48D	950	36.0	25.2	15.50	13.00	35.2	22.8	8.75	7.80	3.52	2.52
THE36B32S	TMLV100C16MP12C	21.0	XAF/XAUC48F	1050	35.2	25.4	15.00	12.50	35.6	23.0	8.55	6.90	3.64	2.52
THE36B32S	TMLV100C16MP12C	21.0	XAFC36D	1275	35.6	26.7	14.50	12.00	35.6	23.6	8.55	6.90	3.58	2.40
THE36B32S	TMLV100C16MP12C	24.5	XAFD48F	1050	35.2	25.4	15.00	12.50	35.6	23.0	8.55	6.90	3.64	2.52
THE36B32S	TMLV100C16MP12C	21.0	XAHC36D	1200	35.2	26.5	14.00	12.00	35.0	22.8	8.20	6.65	3.40	2.34
THE36B32S	TMLV100C16MP12C	21.0	XAHC48F	1050	34.6	24.5	14.50	12.00	34.0	23.0	8.55	7.00	3.54	2.58
THE36B32S	TMLV100C16MP12C	24.5	XAHD48F	1150	35.0	25.8	14.50	12.00	34.4	23.0	8.55	6.90	3.60	2.58
THE36B32S	TMLV100C20MP12C	21.0	CF/CM/CU48C	1150	36.0	27.2	15.75	13.00	35.0	22.6	9.00	8.00	3.70	2.58
THE36B32S	TMLV100C20MP12C	21.0	CF/CM/CU48D	1150	36.0	27.2	15.75	13.00	35.0	22.6	9.00	8.00	3.70	2.58
THE36B32S	TMLV120C20MP12C	21.0	CF/CM/CU48C	1150	36.0	27.2	15.75	13.00	35.0	22.6	9.00	8.00	3.70	2.58
THE36B32S	TMLV120C20MP12C	21.0	CF/CM/CU48D	1150	36.0	27.2	15.75	13.00	35.0	22.6	9.00	8.00	3.70	2.58
THE36B32S	TMLV120C20MP12C	21.0	XAF/XAUC48F	1225	35.6	27.4	15.00	12.50	35.6	23.2	9.00	7.35	3.74	2.56
THE36B32S	TMLV120C20MP12C	21.0	XAFC36D	1225	35.6	26.5	15.00	12.50	35.6	23.4	8.55	6.95	3.58	2.42
THE36B32S	TMLV120C20MP12C	24.5	XAFD48F	1225	35.6	27.4	15.00	12.50	35.6	23.2	9.00	7.35	3.76	2.56
THE36B32S	TMLV120C20MP12C	21.0	XAHC36D	1225	35.6	27.0	14.50	12.00	35.0	22.8	8.20	6.60	3.46	2.36
THE36B32S	TMLV120C20MP12C	21.0	XAHC48F	1225	35.2	26.4	14.50	12.00	34.4	22.8	9.00	7.45	3.66	2.60
THE36B32S	TMLV120C20MP12C	24.5	XAHD48F	1150	35.0	25.8	14.50	12.50	34.2	22.8	9.00	7.45	3.64	2.60
THE36B32S	TMLX080B12MP11	17.5	CF/CM/CU48C	1000	36.0	25.8	15.25	13.00	35.0	22.8	8.75	7.55	3.58	2.54
THE36B32S	TMLX080C16MP11	21.0	CF/CM/CU48C	950	36.0	25.2	15.50	13.00	35.2	22.8	8.75	7.80	3.52	2.52

SYSTEM CAPACITY - With High Efficiency Motor Furnaces¹ (Continued)

UNIT MODEL	FURNACE		COIL MODEL ²	COOLING					HEATING					
	MODEL	WIDTH		RATED CFM	NET MBH		SEER	EER	NET MBH		HSPF Region IV	HSPF Region V	COP	
					TOTAL	SENS.			47°F OD	17°F OD			47°F OD	17°F OD
THE36B32S	TMLX080C16MP11	21.0	CF/CM/CU48D	975	36.0	25.4	15.75	13.00	35.0	22.6	8.75	7.90	3.58	2.56
THE36B32S	TMLX100C16MP11	21.0	CF/CM/CU48C	950	36.0	25.2	15.50	13.00	35.2	22.8	8.75	7.80	3.52	2.52
THE36B32S	TMLX100C16MP11	21.0	CF/CM/CU48D	975	36.0	25.4	15.75	13.00	35.0	22.6	8.75	7.90	3.58	2.56
THE36B32S	TMLX100C20MP11	21.0	CF/CM/CU48C	1000	36.0	25.6	15.75	13.00	35.0	22.6	8.75	7.90	3.62	2.56
THE36B32S	TMLX100C20MP11	21.0	CF/CM/CU48D	1000	36.0	25.6	15.75	13.00	35.0	22.6	8.75	7.90	3.62	2.56
THE36B32S	TMLX120C20MP11	21.0	CF/CM/CU48C	1000	36.0	25.6	15.75	13.00	35.0	22.6	8.75	7.90	3.62	2.56
THE36B32S	TMLX120C20MP11	21.0	CF/CM/CU48D	1000	36.0	25.6	15.75	13.00	35.0	22.6	8.75	7.90	3.62	2.56
THE36B32S	TP9C060B12MP13C	17.5	CF/CM/CU48C	1000	36.0	25.6	14.75	12.50	35.2	23.0	8.50	7.35	3.52	2.50
THE36B32S	TP9C060B12MP13C	17.5	XAF/XAUB36D	1000	34.6	24.4	14.00	12.00	35.6	23.6	8.20	6.75	3.38	2.32
THE36B32S	TP9C060B12MP13C	21.0	XAF/XAUC48F	1000	34.8	24.5	14.00	12.00	35.4	23.2	8.55	6.95	3.54	2.46
THE36B32S	TP9C060B12MP13C	21.0	XAFC36D	1000	34.6	24.4	14.00	12.00	35.6	23.4	8.20	6.75	3.38	2.34
THE36B32S	TP9C080B12MP13C	17.5	CF/CM/CU48C	1050	36.0	26.2	15.25	12.75	35.2	22.8	8.75	7.55	3.60	2.52
THE36B32S	TP9C080B12MP13C	17.5	XAF/XAUB36D	1100	34.8	25.2	14.00	12.00	35.6	23.6	8.20	6.50	3.44	2.36
THE36B32S	TP9C080B12MP13C	21.0	XAF/XAUC48F	1075	35.0	25.4	14.50	12.00	35.6	23.2	8.55	6.95	3.60	2.50
THE36B32S	TP9C080B12MP13C	21.0	XAFC36D	1100	34.8	25.2	14.50	12.00	35.6	23.4	8.20	6.55	3.46	2.36
THE36B32S	TP9C080B12MP13C	21.0	XAHC48F	1075	34.6	24.7	14.00	12.00	34.0	23.2	8.20	6.70	3.52	2.56
THE36B32S	TP9C080C16MP13C	21.0	CF/CM/CU48C	1025	36.0	26.0	15.25	13.00	35.0	22.8	8.75	7.85	3.58	2.54
THE36B32S	TP9C080C16MP13C	21.0	CF/CM/CU48D	950	36.0	25.2	15.50	13.00	35.2	22.8	8.50	7.80	3.52	2.52
THE36B32S	TP9C080C16MP13C	21.0	XAF/XAUC48F	1125	35.4	26.1	14.50	12.00	35.6	23.2	8.55	6.90	3.64	2.52
THE36B32S	TP9C080C16MP13C	21.0	XAFC36D	1125	35.0	25.5	14.50	12.00	35.6	23.4	8.20	6.45	3.48	2.38
THE36B32S	TP9C080C16MP13C	24.5	XAFD48F	1225	35.6	27.2	14.50	12.00	35.6	23.4	8.55	6.75	3.68	2.52
THE36B32S	TP9C080C16MP13C	21.0	XAHC36D	1225	35.2	26.6	14.00	11.50	35.0	23.0	8.20	6.75	3.38	2.32
THE36B32S	TP9C080C16MP13C	21.0	XAHC48F	1125	34.8	25.2	14.00	12.00	34.0	23.0	8.20	6.70	3.56	2.56
THE36B32S	TP9C080C16MP13C	24.5	XAHD48F	1225	35.0	26.2	14.00	12.00	34.6	23.0	8.20	6.50	3.62	2.56
THE36B32S	TP9C100C16MP13C	21.0	CF/CM/CU48C	1050	36.0	26.2	15.50	13.00	35.0	22.6	8.75	7.90	3.64	2.54
THE36B32S	TP9C100C16MP13C	21.0	CF/CM/CU48D	975	36.0	25.4	15.50	13.00	35.0	22.6	8.75	7.90	3.58	2.56
THE36B32S	TP9C100C16MP13C	21.0	XAF/XAUC48F	1100	35.4	26.0	15.00	12.50	35.6	23.0	8.55	6.85	3.66	2.54
THE36B32S	TP9C100C16MP13C	21.0	XAFC36D	1100	35.0	25.4	15.00	12.50	35.6	23.2	8.55	7.05	3.50	2.40
THE36B32S	TP9C100C16MP13C	24.5	XAFD48F	1175	35.6	26.9	15.00	12.50	35.6	23.2	9.00	7.40	3.72	2.54
THE36B32S	TP9C100C16MP13C	21.0	XAHC36D	1100	34.8	25.5	14.50	12.00	34.4	22.6	8.20	6.80	3.36	2.34
THE36B32S	TP9C100C16MP13C	21.0	XAHC48F	1100	34.8	25.3	14.50	12.00	34.0	23.0	8.55	6.90	3.58	2.58
THE36B32S	TP9C100C16MP13C	24.5	XAHD48F	1175	35.0	25.9	14.50	12.00	34.4	22.8	9.00	7.55	3.64	2.60
THE36B32S	TP9C100C20MP13C	21.0	CF/CM/CU48C	1100	36.0	26.6	15.50	13.00	35.2	22.8	8.75	7.95	3.66	2.56
THE36B32S	TP9C100C20MP13C	21.0	CF/CM/CU48D	1100	36.0	26.6	15.50	13.00	35.2	22.6	8.75	7.95	3.66	2.56
THE36B32S	TP9C100C20MP13C	21.0	XAF/XAUC48F	1100	35.4	26.0	14.50	12.50	35.6	23.2	8.55	6.85	3.66	2.52
THE36B32S	TP9C100C20MP13C	21.0	XAFC36D	1225	35.4	26.3	14.50	12.00	35.6	23.4	8.55	7.00	3.56	2.40
THE36B32S	TP9C100C20MP13C	24.5	XAFD48F	1100	35.4	26.0	14.50	12.50	35.6	23.0	8.55	6.85	3.66	2.52

SYSTEM CAPACITY - With High Efficiency Motor Furnaces¹ (Continued)

UNIT MODEL	FURNACE		COIL MODEL ²	COOLING					HEATING					
	MODEL	WIDTH		RATED CFM	NET MBH		SEER	EER	NET MBH		HSPF Region IV	HSPF Region V	COP	
					TOTAL	SENS.			47°F OD	17°F OD			47°F OD	17°F OD
THE36B32S	TP9C100C20MP13C	21.0	XAHC36D	1225	35.4	26.8	14.00	12.00	35.0	22.8	8.20	6.70	3.42	2.34
THE36B32S	TP9C100C20MP13C	21.0	XAHC48F	1225	35.0	26.2	14.00	12.00	34.6	23.0	8.20	6.55	3.64	2.58
THE36B32S	TP9C100C20MP13C	24.5	XAHD48F	1100	34.8	25.1	14.50	12.00	34.0	23.0	8.55	6.90	3.58	2.58
THE36B32S	TP9C120D20MP13C	24.5	CF/CM/CU48D	1050	36.0	26.2	15.75	13.00	35.0	22.6	8.75	7.95	3.66	2.56
THE36B32S	TP9C120D20MP13C	24.5	XAFD48F	1200	35.6	27.1	15.00	12.50	35.6	23.2	9.00	7.35	3.74	2.56
THE36B32S	TP9C120D20MP13C	24.5	XAHD48F	1200	35.2	26.3	14.50	12.00	34.4	22.8	9.00	7.45	3.66	2.60
THE36B32S	TPLC060A12MP13C	17.5	XAF/XAUB36D	1075	34.8	25.1	14.50	12.00	35.6	23.4	8.20	6.60	3.44	2.36
THE36B32S	TPLC060A12MP13C	14.5	XAFA30D	1075	34.8	24.9	14.00	12.00	35.6	23.6	8.20	6.65	3.40	2.34
THE36B32S	TPLC080B12MP13C	17.5	CF/CM/CU48C	1000	36.0	25.6	14.75	12.50	35.2	23.0	8.50	7.35	3.52	2.50
THE36B32S	TPLC080B12MP13C	17.5	XAF/XAUB36D	1000	34.6	24.4	14.00	12.00	35.6	23.6	8.20	6.75	3.36	2.32
THE36B32S	TPLC080B12MP13C	21.0	XAF/XAUC48F	1000	34.8	24.5	14.00	12.00	35.4	23.2	8.55	6.90	3.52	2.46
THE36B32S	TPLC080B12MP13C	21.0	XAFC36D	1000	34.6	24.4	14.00	12.00	35.6	23.6	8.20	6.75	3.38	2.32
THE36B32S	TPLC080C16MP13C	21.0	CF/CM/CU48C	1050	36.0	26.2	15.50	13.00	35.2	22.6	8.75	7.90	3.64	2.54
THE36B32S	TPLC080C16MP13C	21.0	CF/CM/CU48D	950	36.0	25.2	15.50	13.00	35.2	22.8	8.75	7.80	3.52	2.52
THE36B32S	TPLC080C16MP13C	21.0	XAF/XAUC48F	1050	35.2	25.4	15.00	12.50	35.6	23.0	8.55	6.90	3.64	2.52
THE36B32S	TPLC080C16MP13C	21.0	XAFC36D	1275	35.6	26.7	14.50	12.00	35.6	23.6	8.55	6.90	3.58	2.40
THE36B32S	TPLC080C16MP13C	24.5	XAFD48F	1050	35.2	25.4	15.00	12.50	35.6	23.0	8.55	6.90	3.64	2.52
THE36B32S	TPLC080C16MP13C	21.0	XAHC36D	1200	35.2	26.5	14.00	12.00	35.0	22.8	8.20	6.65	3.40	2.34
THE36B32S	TPLC080C16MP13C	21.0	XAHC48F	1050	34.6	24.5	14.50	12.00	34.0	23.0	8.55	7.00	3.54	2.58
THE36B32S	TPLC080C16MP13C	24.5	XAHD48F	1150	35.0	25.8	14.50	12.00	34.4	23.0	8.55	6.90	3.60	2.58
THE36B32S	TPLC100C16MP13C	21.0	CF/CM/CU48C	1050	36.0	26.2	15.50	13.00	35.2	22.6	8.75	7.90	3.64	2.54
THE36B32S	TPLC100C16MP13C	21.0	CF/CM/CU48D	950	36.0	25.2	15.50	13.00	35.2	22.8	8.75	7.80	3.52	2.52
THE36B32S	TPLC100C16MP13C	21.0	XAF/XAUC48F	1050	35.2	25.4	15.00	12.50	35.6	23.0	8.55	6.90	3.64	2.52
THE36B32S	TPLC100C16MP13C	21.0	XAFC36D	1275	35.6	26.7	14.50	12.00	35.6	23.6	8.55	6.90	3.58	2.40
THE36B32S	TPLC100C16MP13C	24.5	XAFD48F	1050	35.2	25.4	15.00	12.50	35.6	23.0	8.55	6.90	3.64	2.52
THE36B32S	TPLC100C16MP13C	21.0	XAHC36D	1200	35.2	26.5	14.00	12.00	35.0	22.8	8.20	6.65	3.40	2.34
THE36B32S	TPLC100C16MP13C	21.0	XAHC48F	1050	34.6	24.5	14.50	12.00	34.0	23.0	8.55	7.00	3.54	2.58
THE36B32S	TPLC100C16MP13C	24.5	XAHD48F	1150	35.0	25.8	14.50	12.00	34.4	23.0	8.55	6.90	3.60	2.58
THE36B32S	TPLC100C20MP13C	21.0	CF/CM/CU48C	1150	36.0	27.2	15.75	13.00	35.0	22.6	9.00	8.00	3.70	2.58
THE36B32S	TPLC100C20MP13C	21.0	CF/CM/CU48D	1150	36.0	27.2	15.75	13.00	35.0	22.6	9.00	8.00	3.70	2.58
THE36B32S	TPLC100C20MP13C	21.0	XAF/XAUC48F	1225	35.6	27.4	15.00	12.50	35.6	23.2	9.00	7.35	3.74	2.56
THE36B32S	TPLC100C20MP13C	21.0	XAFC36D	1225	35.6	26.5	15.00	12.50	35.6	23.4	8.55	6.95	3.58	2.42
THE36B32S	TPLC100C20MP13C	24.5	XAFD48F	1225	35.6	27.4	15.00	12.50	35.6	23.2	9.00	7.35	3.76	2.56
THE36B32S	TPLC100C20MP13C	21.0	XAHC36D	1225	35.6	27.0	14.50	12.00	35.0	22.8	8.20	6.60	3.46	2.36
THE36B32S	TPLC100C20MP13C	21.0	XAHC48F	1225	35.2	26.4	14.50	12.00	34.4	22.8	9.00	7.45	3.66	2.60
THE36B32S	TPLC100C20MP13C	24.5	XAHD48F	1150	35.0	25.8	14.50	12.50	34.2	22.8	9.00	7.45	3.64	2.60
THE36B32S	TPLC120C20MP13C	21.0	CF/CM/CU48C	1150	36.0	27.2	15.75	13.00	35.0	22.6	9.00	8.00	3.70	2.58

SYSTEM CAPACITY - With High Efficiency Motor Furnaces¹ (Continued)

UNIT MODEL	FURNACE		COIL MODEL ²	COOLING					HEATING					
	MODEL	WIDTH		RATED CFM	NET MBH		SEER	EER	NET MBH		HSPF Region IV	HSPF Region V	COP	
					TOTAL	SENS.			47°F OD	17°F OD			47°F OD	17°F OD
THE36B32S	TPLC120C20MP13C	21.0	CF/CM/CU48D	1150	36.0	27.2	15.75	13.00	35.0	22.6	9.00	8.00	3.70	2.58
THE36B32S	TPLC120C20MP13C	21.0	XAF/XAUC48F	1225	35.6	27.4	15.00	12.50	35.6	23.2	9.00	7.35	3.74	2.56
THE36B32S	TPLC120C20MP13C	21.0	XAFC36D	1225	35.6	26.5	15.00	12.50	35.6	23.4	8.55	6.95	3.58	2.42
THE36B32S	TPLC120C20MP13C	24.5	XAFD48F	1225	35.6	27.4	15.00	12.50	35.6	23.2	9.00	7.35	3.76	2.56
THE36B32S	TPLC120C20MP13C	21.0	XAHC36D	1225	35.6	27.0	14.50	12.00	35.0	22.8	8.20	6.60	3.46	2.36
THE36B32S	TPLC120C20MP13C	21.0	XAHC48F	1225	35.2	26.4	14.50	12.00	34.4	22.8	9.00	7.45	3.66	2.60
THE36B32S	TPLC120C20MP13C	24.5	XAHD48F	1150	35.0	25.8	14.50	12.50	34.2	22.8	9.00	7.45	3.64	2.60
THE36B32S	YP9C060B12MP13C	17.5	CF/CM/CU48C	1000	36.0	25.6	14.75	12.50	35.2	23.0	8.50	7.35	3.52	2.50
THE36B32S	YP9C060B12MP13C	17.5	XAF/XAUB36D	1000	34.6	24.4	14.00	12.00	35.6	23.6	8.20	6.75	3.38	2.32
THE36B32S	YP9C060B12MP13C	21.0	XAF/XAUC48F	1000	34.8	24.5	14.00	12.00	35.4	23.2	8.55	6.95	3.54	2.46
THE36B32S	YP9C060B12MP13C	21.0	XAFC36D	1000	34.6	24.4	14.00	12.00	35.6	23.4	8.20	6.75	3.38	2.34
THE36B32S	YP9C080B12MP13C	17.5	CF/CM/CU48C	1050	36.0	26.2	15.25	12.75	35.2	22.8	8.75	7.55	3.60	2.52
THE36B32S	YP9C080B12MP13C	17.5	XAF/XAUB36D	1100	34.8	25.2	14.00	12.00	35.6	23.6	8.20	6.50	3.44	2.36
THE36B32S	YP9C080B12MP13C	21.0	XAF/XAUC48F	1075	35.0	25.4	14.50	12.00	35.6	23.2	8.55	6.95	3.60	2.50
THE36B32S	YP9C080B12MP13C	21.0	XAFC36D	1100	34.8	25.2	14.50	12.00	35.6	23.4	8.20	6.55	3.46	2.36
THE36B32S	YP9C080B12MP13C	21.0	XAHC48F	1075	34.6	24.7	14.00	12.00	34.0	23.2	8.20	6.70	3.52	2.56
THE36B32S	YP9C080C16MP13C	21.0	CF/CM/CU48C	1025	36.0	26.0	15.25	13.00	35.0	22.8	8.75	7.85	3.58	2.54
THE36B32S	YP9C080C16MP13C	21.0	CF/CM/CU48D	950	36.0	25.2	15.50	13.00	35.2	22.8	8.50	7.80	3.52	2.52
THE36B32S	YP9C080C16MP13C	21.0	XAF/XAUC48F	1125	35.4	26.1	14.50	12.00	35.6	23.2	8.55	6.90	3.64	2.52
THE36B32S	YP9C080C16MP13C	21.0	XAFC36D	1125	35.0	25.5	14.50	12.00	35.6	23.4	8.20	6.45	3.48	2.38
THE36B32S	YP9C080C16MP13C	24.5	XAFD48F	1225	35.6	27.2	14.50	12.00	35.6	23.4	8.55	6.75	3.68	2.52
THE36B32S	YP9C080C16MP13C	21.0	XAHC36D	1225	35.2	26.6	14.00	11.50	35.0	23.0	8.20	6.75	3.38	2.32
THE36B32S	YP9C080C16MP13C	21.0	XAHC48F	1125	34.8	25.2	14.00	12.00	34.0	23.0	8.20	6.70	3.56	2.56
THE36B32S	YP9C080C16MP13C	24.5	XAHD48F	1225	35.0	26.2	14.00	12.00	34.6	23.0	8.20	6.50	3.62	2.56
THE36B32S	YP9C100C16MP13C	21.0	CF/CM/CU48C	1050	36.0	26.2	15.50	13.00	35.0	22.6	8.75	7.90	3.64	2.54
THE36B32S	YP9C100C16MP13C	21.0	CF/CM/CU48D	975	36.0	25.4	15.50	13.00	35.0	22.6	8.75	7.90	3.58	2.56
THE36B32S	YP9C100C16MP13C	21.0	XAF/XAUC48F	1100	35.4	26.0	15.00	12.50	35.6	23.0	8.55	6.85	3.66	2.54
THE36B32S	YP9C100C16MP13C	21.0	XAFC36D	1100	35.0	25.4	15.00	12.50	35.6	23.2	8.55	7.05	3.50	2.40
THE36B32S	YP9C100C16MP13C	24.5	XAFD48F	1175	35.6	26.9	15.00	12.50	35.6	23.2	9.00	7.40	3.72	2.54
THE36B32S	YP9C100C16MP13C	21.0	XAHC36D	1100	34.8	25.5	14.50	12.00	34.4	22.6	8.20	6.80	3.36	2.34
THE36B32S	YP9C100C16MP13C	21.0	XAHC48F	1100	34.8	25.3	14.50	12.00	34.0	23.0	8.55	6.90	3.58	2.58
THE36B32S	YP9C100C16MP13C	24.5	XAHD48F	1175	35.0	25.9	14.50	12.00	34.4	22.8	9.00	7.55	3.64	2.60
THE36B32S	YP9C100C20MP13C	21.0	CF/CM/CU48C	1100	36.0	26.6	15.50	13.00	35.2	22.8	8.75	7.95	3.66	2.56
THE36B32S	YP9C100C20MP13C	21.0	CF/CM/CU48D	1100	36.0	26.6	15.50	13.00	35.2	22.6	8.75	7.95	3.66	2.56
THE36B32S	YP9C100C20MP13C	21.0	XAF/XAUC48F	1100	35.4	26.0	14.50	12.50	35.6	23.2	8.55	6.85	3.66	2.52
THE36B32S	YP9C100C20MP13C	21.0	XAFC36D	1225	35.4	26.3	14.50	12.00	35.6	23.4	8.55	7.00	3.56	2.40
THE36B32S	YP9C100C20MP13C	24.5	XAFD48F	1100	35.4	26.0	14.50	12.50	35.6	23.0	8.55	6.85	3.66	2.52

SYSTEM CAPACITY - With High Efficiency Motor Furnaces¹ (Continued)

UNIT MODEL	FURNACE		COIL MODEL ²	COOLING					HEATING					
	MODEL	WIDTH		RATED CFM	NET MBH		SEER	EER	NET MBH		HSPF Region IV	HSPF Region V	COP	
					TOTAL	SENS.			47°F OD	17°F OD			47°F OD	17°F OD
THE36B32S	YP9C100C20MP13C	21.0	XAHC36D	1225	35.4	26.8	14.00	12.00	35.0	22.8	8.20	6.70	3.42	2.34
THE36B32S	YP9C100C20MP13C	21.0	XAHC48F	1225	35.0	26.2	14.00	12.00	34.6	23.0	8.20	6.55	3.64	2.58
THE36B32S	YP9C100C20MP13C	24.5	XAHD48F	1100	34.8	25.1	14.50	12.00	34.0	23.0	8.55	6.90	3.58	2.58
THE36B32S	YP9C120D20MP13C	24.5	CF/CM/CU48D	1050	36.0	26.2	15.75	13.00	35.0	22.6	8.75	7.95	3.66	2.56
THE36B32S	YP9C120D20MP13C	24.5	XAFD48F	1200	35.6	27.1	15.00	12.50	35.6	23.2	9.00	7.35	3.74	2.56
THE36B32S	YP9C120D20MP13C	24.5	XAHD48F	1200	35.2	26.3	14.50	12.00	34.4	22.8	9.00	7.45	3.66	2.60
THE36B32S	YPLC060A12MP13C	17.5	XAF/XAUB36D	1075	34.8	25.1	14.50	12.00	35.6	23.4	8.20	6.60	3.44	2.36
THE36B32S	YPLC060A12MP13C	14.5	XAFA30D	1075	34.8	24.9	14.00	12.00	35.6	23.6	8.20	6.65	3.40	2.34
THE36B32S	YPLC080B12MP13C	17.5	CF/CM/CU48C	1000	36.0	25.6	14.75	12.50	35.2	23.0	8.50	7.35	3.52	2.50
THE36B32S	YPLC080B12MP13C	17.5	XAF/XAUB36D	1000	34.6	24.4	14.00	12.00	35.6	23.6	8.20	6.75	3.36	2.32
THE36B32S	YPLC080B12MP13C	21.0	XAF/XAUC48F	1000	34.8	24.5	14.00	12.00	35.4	23.2	8.55	6.90	3.52	2.46
THE36B32S	YPLC080B12MP13C	21.0	XAFC36D	1000	34.6	24.4	14.00	12.00	35.6	23.6	8.20	6.75	3.38	2.32
THE36B32S	YPLC080C16MP13C	21.0	CF/CM/CU48C	1050	36.0	26.2	15.50	13.00	35.2	22.6	8.75	7.90	3.64	2.54
THE36B32S	YPLC080C16MP13C	21.0	CF/CM/CU48D	950	36.0	25.2	15.50	13.00	35.2	22.8	8.75	7.80	3.52	2.52
THE36B32S	YPLC080C16MP13C	21.0	XAF/XAUC48F	1050	35.2	25.4	15.00	12.50	35.6	23.0	8.55	6.90	3.64	2.52
THE36B32S	YPLC080C16MP13C	21.0	XAFC36D	1275	35.6	26.7	14.50	12.00	35.6	23.6	8.55	6.90	3.58	2.40
THE36B32S	YPLC080C16MP13C	24.5	XAFD48F	1050	35.2	25.4	15.00	12.50	35.6	23.0	8.55	6.90	3.64	2.52
THE36B32S	YPLC080C16MP13C	21.0	XAHC36D	1200	35.2	26.5	14.00	12.00	35.0	22.8	8.20	6.65	3.40	2.34
THE36B32S	YPLC080C16MP13C	21.0	XAHC48F	1050	34.6	24.5	14.50	12.00	34.0	23.0	8.55	7.00	3.54	2.58
THE36B32S	YPLC080C16MP13C	24.5	XAHD48F	1150	35.0	25.8	14.50	12.00	34.4	23.0	8.55	6.90	3.60	2.58
THE36B32S	YPLC100C16MP13C	21.0	CF/CM/CU48C	1050	36.0	26.2	15.50	13.00	35.2	22.6	8.75	7.90	3.64	2.54
THE36B32S	YPLC100C16MP13C	21.0	CF/CM/CU48D	950	36.0	25.2	15.50	13.00	35.2	22.8	8.75	7.80	3.52	2.52
THE36B32S	YPLC100C16MP13C	21.0	XAF/XAUC48F	1050	35.2	25.4	15.00	12.50	35.6	23.0	8.55	6.90	3.64	2.52
THE36B32S	YPLC100C16MP13C	21.0	XAFC36D	1275	35.6	26.7	14.50	12.00	35.6	23.6	8.55	6.90	3.58	2.40
THE36B32S	YPLC100C16MP13C	24.5	XAFD48F	1050	35.2	25.4	15.00	12.50	35.6	23.0	8.55	6.90	3.64	2.52
THE36B32S	YPLC100C16MP13C	21.0	XAHC36D	1200	35.2	26.5	14.00	12.00	35.0	22.8	8.20	6.65	3.40	2.34
THE36B32S	YPLC100C16MP13C	21.0	XAHC48F	1050	34.6	24.5	14.50	12.00	34.0	23.0	8.55	7.00	3.54	2.58
THE36B32S	YPLC100C16MP13C	24.5	XAHD48F	1150	35.0	25.8	14.50	12.00	34.4	23.0	8.55	6.90	3.60	2.58
THE36B32S	YPLC100C20MP13C	21.0	CF/CM/CU48C	1150	36.0	27.2	15.75	13.00	35.0	22.6	9.00	8.00	3.70	2.58
THE36B32S	YPLC100C20MP13C	21.0	CF/CM/CU48D	1150	36.0	27.2	15.75	13.00	35.0	22.6	9.00	8.00	3.70	2.58
THE36B32S	YPLC100C20MP13C	21.0	XAF/XAUC48F	1225	35.6	27.4	15.00	12.50	35.6	23.2	9.00	7.35	3.74	2.56
THE36B32S	YPLC100C20MP13C	21.0	XAFC36D	1225	35.6	26.5	15.00	12.50	35.6	23.4	8.55	6.95	3.58	2.42
THE36B32S	YPLC100C20MP13C	24.5	XAFD48F	1225	35.6	27.4	15.00	12.50	35.6	23.2	9.00	7.35	3.76	2.56
THE36B32S	YPLC100C20MP13C	21.0	XAHC36D	1225	35.6	27.0	14.50	12.00	35.0	22.8	8.20	6.60	3.46	2.36
THE36B32S	YPLC100C20MP13C	21.0	XAHC48F	1225	35.2	26.4	14.50	12.00	34.4	22.8	9.00	7.45	3.66	2.60
THE36B32S	YPLC100C20MP13C	24.5	XAHD48F	1150	35.0	25.8	14.50	12.50	34.2	22.8	9.00	7.45	3.64	2.60
THE36B32S	YPLC120C20MP13C	21.0	CF/CM/CU48C	1150	36.0	27.2	15.75	13.00	35.0	22.6	9.00	8.00	3.70	2.58

SYSTEM CAPACITY - With High Efficiency Motor Furnaces¹ (Continued)

UNIT MODEL	FURNACE		COIL MODEL ²	COOLING					HEATING					
	MODEL	WIDTH		RATED CFM	NET MBH		SEER	EER	NET MBH		HSPF Region IV	HSPF Region V	COP	
					TOTAL	SENS.			47°F OD	17°F OD			47°F OD	17°F OD
THE36B32S	YPLC120C20MP13C	21.0	CF/CM/CU48D	1150	36.0	27.2	15.75	13.00	35.0	22.6	9.00	8.00	3.70	2.58
THE36B32S	YPLC120C20MP13C	21.0	XAF/XAUC48F	1225	35.6	27.4	15.00	12.50	35.6	23.2	9.00	7.35	3.74	2.56
THE36B32S	YPLC120C20MP13C	21.0	XAFC36D	1225	35.6	26.5	15.00	12.50	35.6	23.4	8.55	6.95	3.58	2.42
THE36B32S	YPLC120C20MP13C	24.5	XAFD48F	1225	35.6	27.4	15.00	12.50	35.6	23.2	9.00	7.35	3.76	2.56
THE36B32S	YPLC120C20MP13C	21.0	XAHC36D	1225	35.6	27.0	14.50	12.00	35.0	22.8	8.20	6.60	3.46	2.36
THE36B32S	YPLC120C20MP13C	21.0	XAHC48F	1225	35.2	26.4	14.50	12.00	34.4	22.8	9.00	7.45	3.66	2.60
THE36B32S	YPLC120C20MP13C	24.5	XAHD48F	1150	35.0	25.8	14.50	12.50	34.2	22.8	9.00	7.45	3.64	2.60
THE36B42S	TL8E060A12UH11	17.5	XAF/XAUB36D	1025	34.8	24.7	14.50	12.00	35.6	23.4	8.20	6.70	3.42	2.34
THE36B42S	TL8E060A12UH11	14.5	XAFA30D	1150	34.8	25.4	14.00	11.50	35.6	23.8	8.20	6.65	3.42	2.32
THE36B42S	TL8E080C16UH11	21.0	XAF/XAUC48F	1075	35.2	25.6	15.00	12.50	35.6	23.2	8.55	6.90	3.64	2.52
THE36B42S	TL8E080C16UH11	21.0	XAFC36D	1225	35.4	26.3	14.50	12.00	35.6	23.6	8.55	6.95	3.54	2.38
THE36B42S	TL8E080C16UH11	24.5	XAFD48F	1100	35.4	26.0	15.00	12.50	35.6	23.2	8.55	6.85	3.66	2.52
THE36B42S	TL8E080C16UH11	21.0	XAHC36D	1200	35.2	26.5	14.00	12.00	35.0	22.8	8.20	6.75	3.40	2.34
THE36B42S	TL8E080C16UH11	21.0	XAHC48F	1075	34.8	24.9	14.50	12.00	34.0	23.0	8.55	7.00	3.56	2.58
THE36B42S	TL8E080C16UH11	24.5	XAHD48F	1100	34.8	25.3	14.50	12.00	34.0	23.0	8.55	6.90	3.58	2.58
THE36B42S	TL8E100C20UH11	21.0	XAF/XAUC48F	1225	35.6	27.4	15.00	12.50	35.6	23.2	9.00	7.35	3.74	2.56
THE36B42S	TL8E100C20UH11	21.0	XAFC36D	1200	35.6	26.4	15.00	12.50	35.6	23.4	8.55	6.90	3.58	2.40
THE36B42S	TL8E100C20UH11	24.5	XAFD48F	1250	35.6	27.8	15.00	12.50	35.6	23.2	9.00	7.25	3.76	2.56
THE36B42S	TL8E100C20UH11	21.0	XAHC36D	1175	35.4	26.5	14.50	12.50	35.0	22.6	8.20	6.65	3.42	2.36
THE36B42S	TL8E100C20UH11	21.0	XAHC48F	1200	35.2	26.3	14.50	12.00	34.4	23.0	9.00	7.55	3.64	2.58
THE36B42S	TL8E100C20UH11	24.5	XAHD48F	1225	35.4	26.6	14.50	12.50	34.4	22.8	9.00	7.45	3.68	2.60
THE36B42S	TL9E060B12UH11	17.5	XAF/XAUB36D	1000	34.6	24.4	14.00	12.00	35.6	23.6	8.20	6.75	3.36	2.32
THE36B42S	TL9E060B12UH11	21.0	XAF/XAUC48F	1025	34.8	24.9	14.00	12.00	35.4	23.4	8.55	6.90	3.54	2.46
THE36B42S	TL9E060B12UH11	21.0	XAFC36D	1025	34.8	24.7	14.00	12.00	35.6	23.6	8.20	6.75	3.38	2.34
THE36B42S	TL9E080C16UH11	21.0	XAF/XAUC48F	1050	35.2	25.4	14.50	12.50	35.6	23.2	8.55	6.95	3.60	2.50
THE36B42S	TL9E080C16UH11	21.0	XAFC36D	1050	34.8	25.0	14.50	12.50	35.6	23.4	8.20	6.55	3.46	2.36
THE36B42S	TL9E080C16UH11	24.5	XAFD48F	1075	35.2	25.6	14.50	12.50	35.6	23.2	8.55	6.90	3.62	2.50
THE36B42S	TL9E080C16UH11	21.0	XAHC36D	1200	35.2	26.5	14.00	12.00	35.0	23.0	8.20	6.70	3.38	2.32
THE36B42S	TL9E080C16UH11	21.0	XAHC48F	1225	35.0	26.2	14.00	12.00	34.8	23.2	8.20	6.60	3.60	2.54
THE36B42S	TL9E080C16UH11	24.5	XAHD48F	1050	34.6	24.5	14.50	12.00	34.0	23.0	8.55	7.10	3.54	2.56
THE36B42S	TL9E100C20UH11	21.0	XAF/XAUC48F	1175	35.6	26.9	15.00	12.50	35.6	23.2	9.00	7.40	3.70	2.54
THE36B42S	TL9E100C20UH11	21.0	XAFC36D	1175	35.4	26.1	15.00	12.50	35.6	23.4	8.55	7.00	3.56	2.40
THE36B42S	TL9E100C20UH11	24.5	XAFD48F	1200	35.6	27.1	15.00	12.50	35.6	23.2	9.00	7.40	3.72	2.56
THE36B42S	TL9E100C20UH11	21.0	XAHC36D	1150	35.2	26.2	14.50	12.00	35.0	22.6	8.20	6.75	3.38	2.34
THE36B42S	TL9E100C20UH11	21.0	XAHC48F	1175	35.0	25.9	14.50	12.00	34.4	23.0	9.00	7.50	3.62	2.58
THE36B42S	TL9E100C20UH11	24.5	XAHD48F	1100	34.8	25.3	14.50	12.50	34.0	22.8	8.55	6.95	3.60	2.60
THE36B42S	TM8E040A12MP11	17.5	XAF/XAUB36D	1000	34.8	24.6	14.50	12.00	35.6	23.4	8.20	6.70	3.42	2.36

SYSTEM CAPACITY - With High Efficiency Motor Furnaces¹ (Continued)

UNIT MODEL	FURNACE		COIL MODEL ²	COOLING					HEATING					
	MODEL	WIDTH		RATED CFM	NET MBH		SEER	EER	NET MBH		HSPF Region IV	HSPF Region V	COP	
					TOTAL	SENS.			47°F OD	17°F OD			47°F OD	17°F OD
THE36B42S	TM8E040A12MP11	14.5	XAFA30D	1125	34.8	25.3	14.00	12.00	35.6	23.8	8.20	6.70	3.42	2.34
THE36B42S	TM8E060A12MP11	17.5	XAF/XAUB36D	1000	34.8	24.6	14.50	12.00	35.6	23.4	8.20	6.70	3.40	2.36
THE36B42S	TM8E060A12MP11	14.5	XAFA30D	1150	34.8	25.4	14.00	11.50	35.6	23.8	8.20	6.65	3.42	2.32
THE36B42S	TM8E080B12MP11	17.5	XAF/XAUB36D	1000	34.8	24.6	14.50	12.00	35.6	23.4	8.20	6.70	3.40	2.34
THE36B42S	TM8E080B12MP11	21.0	XAF/XAUC48F	1025	35.0	25.1	14.50	12.00	35.6	23.2	8.55	7.05	3.58	2.48
THE36B42S	TM8E080B12MP11	21.0	XAFC36D	1000	34.8	24.6	14.50	12.00	35.6	23.4	8.20	6.70	3.40	2.34
THE36B42S	TM8E080B12MP11	21.0	XAHC48F	1000	34.4	24.0	14.00	12.00	34.0	23.2	8.20	6.80	3.48	2.56
THE36B42S	TM8E080C16MP11	21.0	XAF/XAUC48F	1075	35.4	25.8	15.00	12.50	35.6	23.0	8.55	6.90	3.64	2.52
THE36B42S	TM8E080C16MP11	21.0	XAFC36D	1225	35.6	26.5	14.50	12.00	35.6	23.6	8.55	7.00	3.56	2.40
THE36B42S	TM8E080C16MP11	24.5	XAFD48F	1075	35.4	25.8	15.00	12.50	35.6	23.0	8.55	6.85	3.64	2.52
THE36B42S	TM8E080C16MP11	21.0	XAHC36D	1225	35.4	26.8	14.00	12.00	35.0	22.8	8.20	6.70	3.42	2.34
THE36B42S	TM8E080C16MP11	21.0	XAHC48F	1050	34.8	24.7	14.50	12.00	34.0	23.0	8.55	7.00	3.54	2.58
THE36B42S	TM8E080C16MP11	24.5	XAHD48F	1075	34.8	24.9	14.50	12.00	34.0	23.0	8.55	6.90	3.58	2.58
THE36B42S	TM8E080C20MP11	21.0	XAF/XAUC48F	1225	35.6	27.4	15.00	12.50	35.6	23.2	9.00	7.35	3.74	2.56
THE36B42S	TM8E080C20MP11	21.0	XAFC36D	1200	35.6	26.4	15.00	12.50	35.6	23.4	8.55	6.90	3.58	2.40
THE36B42S	TM8E080C20MP11	24.5	XAFD48F	1225	35.6	27.4	15.00	12.50	35.6	23.2	9.00	7.35	3.74	2.56
THE36B42S	TM8E080C20MP11	21.0	XAHC36D	1175	35.4	26.5	14.50	12.50	35.0	22.6	8.20	6.65	3.42	2.36
THE36B42S	TM8E080C20MP11	21.0	XAHC48F	1200	35.2	26.3	14.50	12.00	34.4	23.0	9.00	7.55	3.64	2.58
THE36B42S	TM8E080C20MP11	24.5	XAHD48F	1225	35.4	26.6	14.50	12.00	34.4	22.8	9.00	7.45	3.68	2.60
THE36B42S	TM8E100B12MP11	17.5	XAF/XAUB36D	1050	34.8	25.0	14.50	12.00	35.6	23.4	8.20	6.60	3.44	2.36
THE36B42S	TM8E100B12MP11	21.0	XAF/XAUC48F	1075	35.2	25.6	14.50	12.00	35.6	23.2	8.55	6.95	3.60	2.50
THE36B42S	TM8E100B12MP11	21.0	XAFC36D	1050	34.8	25.0	14.50	12.00	35.6	23.4	8.20	6.60	3.44	2.36
THE36B42S	TM8E100B12MP11	21.0	XAHC36D	1200	35.0	26.3	14.00	11.50	35.0	23.0	8.20	6.80	3.36	2.32
THE36B42S	TM8E100B12MP11	21.0	XAHC48F	1050	34.6	24.5	14.00	12.00	34.0	23.2	8.20	6.80	3.50	2.56
THE36B42S	TM8E100C16MP11	21.0	XAF/XAUC48F	1075	35.4	25.8	15.00	12.50	35.6	23.0	8.55	6.90	3.64	2.52
THE36B42S	TM8E100C16MP11	21.0	XAFC36D	1250	35.6	26.6	14.50	12.00	35.6	23.6	8.55	7.00	3.56	2.40
THE36B42S	TM8E100C16MP11	24.5	XAFD48F	1100	35.4	26.0	15.00	12.50	35.6	23.0	8.55	6.85	3.66	2.52
THE36B42S	TM8E100C16MP11	21.0	XAHC36D	1250	35.6	27.2	14.00	12.00	35.0	23.0	8.20	6.60	3.44	2.34
THE36B42S	TM8E100C16MP11	21.0	XAHC48F	1050	34.8	24.7	14.50	12.00	34.0	23.0	8.55	7.10	3.54	2.58
THE36B42S	TM8E100C16MP11	24.5	XAHD48F	1100	34.8	25.3	14.50	12.00	34.0	23.0	8.55	6.90	3.58	2.58
THE36B42S	TM8E100C20MP11	21.0	XAF/XAUC48F	1225	35.6	27.4	15.00	12.50	35.6	23.2	9.00	7.35	3.74	2.56
THE36B42S	TM8E100C20MP11	21.0	XAFC36D	1200	35.6	26.4	15.00	12.50	35.6	23.4	8.55	6.90	3.56	2.40
THE36B42S	TM8E100C20MP11	24.5	XAFD48F	1225	35.6	27.4	15.00	12.50	35.6	23.2	9.00	7.35	3.74	2.56
THE36B42S	TM8E100C20MP11	21.0	XAHC36D	1175	35.2	26.3	14.50	12.00	35.0	22.6	8.20	6.65	3.40	2.36
THE36B42S	TM8E100C20MP11	21.0	XAHC48F	1200	35.2	26.3	14.50	12.00	34.4	23.0	9.00	7.55	3.64	2.58
THE36B42S	TM8E100C20MP11	24.5	XAHD48F	1225	35.4	26.6	14.50	12.00	34.4	22.8	9.00	7.45	3.68	2.60
THE36B42S	TM8E120C16MP11	21.0	XAF/XAUC48F	1075	35.4	25.8	15.00	12.50	35.6	23.0	8.55	6.90	3.64	2.52

SYSTEM CAPACITY - With High Efficiency Motor Furnaces¹ (Continued)

UNIT MODEL	FURNACE		COIL MODEL ²	COOLING					HEATING					
	MODEL	WIDTH		RATED CFM	NET MBH		SEER	EER	NET MBH		HSPF Region IV	HSPF Region V	COP	
					TOTAL	SENS.			47°F OD	17°F OD			47°F OD	17°F OD
THE36B42S	TM8E120C16MP11	21.0	XAFC36D	1250	35.6	26.6	14.50	12.00	35.6	23.6	8.55	6.90	3.56	2.40
THE36B42S	TM8E120C16MP11	24.5	XAFD48F	1100	35.4	26.0	15.00	12.50	35.6	23.0	8.55	6.85	3.66	2.52
THE36B42S	TM8E120C16MP11	21.0	XAHC36D	1250	35.6	27.2	14.00	12.00	35.0	23.0	8.20	6.60	3.44	2.34
THE36B42S	TM8E120C16MP11	21.0	XAHC48F	1075	34.8	24.9	14.50	12.00	34.0	23.0	8.55	7.00	3.56	2.58
THE36B42S	TM8E120C16MP11	24.5	XAHD48F	1300	35.6	27.3	14.50	12.00	34.8	23.0	9.00	7.40	3.68	2.58
THE36B42S	TM8E120C20MP11	21.0	XAF/XAUC48F	1250	35.6	27.6	15.00	12.50	35.6	23.2	9.00	7.35	3.74	2.56
THE36B42S	TM8E120C20MP11	21.0	XAFC36D	1225	35.6	26.5	15.00	12.50	35.6	23.4	8.55	6.90	3.58	2.40
THE36B42S	TM8E120C20MP11	24.5	XAFD48F	1275	35.6	28.0	15.00	12.50	35.6	23.2	9.00	7.30	3.78	2.56
THE36B42S	TM8E120C20MP11	21.0	XAHC36D	1225	35.6	27.0	14.50	12.50	35.0	22.8	8.20	6.60	3.44	2.36
THE36B42S	TM8E120C20MP11	21.0	XAHC48F	1225	35.2	26.4	14.50	12.00	34.6	23.0	9.00	7.50	3.66	2.58
THE36B42S	TM8E120C20MP11	24.5	XAHD48F	1275	35.6	27.1	14.50	12.00	34.6	22.8	9.00	7.35	3.70	2.60
THE36B42S	TM8E130D20MP11	24.5	XAFD48F	1275	35.6	28.0	15.00	12.50	35.6	23.2	9.00	7.30	3.78	2.58
THE36B42S	TM8E130D20MP11	24.5	XAHD48F	1250	35.4	26.8	14.50	12.00	34.4	22.8	9.00	7.45	3.68	2.60
THE36B42S	TM8V060A12MP12C	17.5	XAF/XAUB36D	1075	34.8	25.1	14.50	12.00	35.6	23.4	8.20	6.60	3.44	2.36
THE36B42S	TM8V060A12MP12C	14.5	XAFA30D	1075	34.8	24.9	14.00	12.00	35.6	23.6	8.20	6.65	3.40	2.34
THE36B42S	TM8V080B12MP12C	17.5	CF/CM/CU48C	1000	36.0	25.6	14.75	12.50	35.2	23.0	8.50	7.35	3.52	2.50
THE36B42S	TM8V080B12MP12C	17.5	XAF/XAUB36D	1000	34.6	24.4	14.00	12.00	35.6	23.6	8.20	6.75	3.36	2.32
THE36B42S	TM8V080B12MP12C	21.0	XAF/XAUC48F	1000	34.8	24.5	14.00	12.00	35.4	23.2	8.55	6.90	3.52	2.46
THE36B42S	TM8V080B12MP12C	21.0	XAFC36D	1000	34.6	24.4	14.00	12.00	35.6	23.6	8.20	6.75	3.38	2.32
THE36B42S	TM8V080C16MP12C	21.0	CF/CM/CU48C	1050	36.0	26.2	15.50	13.00	35.2	22.6	8.75	7.90	3.64	2.54
THE36B42S	TM8V080C16MP12C	21.0	CF/CM/CU48D	950	36.0	25.2	15.50	13.00	35.2	22.8	8.75	7.80	3.52	2.52
THE36B42S	TM8V080C16MP12C	21.0	XAF/XAUC48F	1050	35.2	25.4	15.00	12.50	35.6	23.0	8.55	6.90	3.64	2.52
THE36B42S	TM8V080C16MP12C	21.0	XAFC36D	1275	35.6	26.7	14.50	12.00	35.6	23.6	8.55	6.90	3.58	2.40
THE36B42S	TM8V080C16MP12C	24.5	XAFD48F	1050	35.2	25.4	15.00	12.50	35.6	23.0	8.55	6.90	3.64	2.52
THE36B42S	TM8V080C16MP12C	21.0	XAHC36D	1125	35.0	25.8	14.00	12.00	35.0	22.6	8.20	6.80	3.36	2.32
THE36B42S	TM8V080C16MP12C	21.0	XAHC48F	1050	34.6	24.5	14.50	12.00	34.0	23.0	8.55	7.00	3.54	2.58
THE36B42S	TM8V080C16MP12C	24.5	XAHD48F	1150	35.0	25.8	14.50	12.00	34.4	23.0	8.55	6.90	3.60	2.58
THE36B42S	TM8V100C16MP12C	21.0	CF/CM/CU48C	1050	36.0	26.2	15.50	13.00	35.2	22.6	8.75	7.90	3.64	2.54
THE36B42S	TM8V100C16MP12C	21.0	CF/CM/CU48D	950	36.0	25.2	15.50	13.00	35.2	22.8	8.75	7.80	3.52	2.52
THE36B42S	TM8V100C16MP12C	21.0	XAF/XAUC48F	1050	35.2	25.4	15.00	12.50	35.6	23.0	8.55	6.90	3.64	2.52
THE36B42S	TM8V100C16MP12C	21.0	XAFC36D	1275	35.6	26.7	14.50	12.00	35.6	23.6	8.55	6.90	3.58	2.40
THE36B42S	TM8V100C16MP12C	24.5	XAFD48F	1050	35.2	25.4	15.00	12.50	35.6	23.0	8.55	6.90	3.64	2.52
THE36B42S	TM8V100C16MP12C	21.0	XAHC36D	1200	35.2	26.5	14.00	12.00	35.0	22.8	8.20	6.65	3.40	2.34
THE36B42S	TM8V100C16MP12C	21.0	XAHC48F	1050	34.6	24.5	14.50	12.00	34.0	23.0	8.55	7.00	3.54	2.58
THE36B42S	TM8V100C16MP12C	24.5	XAHD48F	1150	35.0	25.8	14.50	12.00	34.4	23.0	8.55	6.90	3.60	2.58
THE36B42S	TM8V100C20MP12C	21.0	CF/CM/CU48C	1150	36.0	27.2	15.75	13.00	35.0	22.6	9.00	8.00	3.70	2.58
THE36B42S	TM8V100C20MP12C	21.0	CF/CM/CU48D	1150	36.0	27.2	15.75	13.00	35.0	22.6	9.00	8.00	3.70	2.58

SYSTEM CAPACITY - With High Efficiency Motor Furnaces¹ (Continued)

UNIT MODEL	FURNACE		COIL MODEL ²	COOLING					HEATING					
	MODEL	WIDTH		RATED CFM	NET MBH		SEER	EER	NET MBH		HSPF Region IV	HSPF Region V	COP	
					TOTAL	SENS.			47°F OD	17°F OD			47°F OD	17°F OD
THE36B42S	TM8V100C20MP12C	21.0	XAF/XAUC48F	1225	35.6	27.4	15.00	12.50	35.6	23.2	9.00	7.35	3.74	2.56
THE36B42S	TM8V100C20MP12C	21.0	XAFC36D	1225	35.6	26.5	15.00	12.50	35.6	23.4	8.55	6.95	3.58	2.42
THE36B42S	TM8V100C20MP12C	24.5	XAFD48F	1200	35.6	27.1	15.00	12.50	35.6	23.2	9.00	7.35	3.74	2.56
THE36B42S	TM8V100C20MP12C	21.0	XAHC36D	1225	35.6	27.0	14.50	12.00	35.0	22.8	8.20	6.60	3.46	2.36
THE36B42S	TM8V100C20MP12C	21.0	XAHC48F	1200	35.2	26.3	14.50	12.00	34.4	22.8	9.00	7.55	3.64	2.60
THE36B42S	TM8V100C20MP12C	24.5	XAHD48F	1150	35.0	25.8	14.50	12.50	34.2	22.8	9.00	7.45	3.64	2.60
THE36B42S	TM8V120C20MP12C	21.0	CF/CM/CU48C	1150	36.0	27.2	15.75	13.00	35.0	22.6	9.00	8.00	3.70	2.58
THE36B42S	TM8V120C20MP12C	21.0	CF/CM/CU48D	1150	36.0	27.2	15.75	13.00	35.0	22.6	9.00	8.00	3.70	2.58
THE36B42S	TM8V120C20MP12C	21.0	XAF/XAUC48F	1225	35.6	27.4	15.00	12.50	35.6	23.2	9.00	7.35	3.74	2.56
THE36B42S	TM8V120C20MP12C	21.0	XAFC36D	1225	35.6	26.5	15.00	12.50	35.6	23.4	8.55	6.95	3.58	2.42
THE36B42S	TM8V120C20MP12C	24.5	XAFD48F	1225	35.6	27.4	15.00	12.50	35.6	23.2	9.00	7.35	3.76	2.56
THE36B42S	TM8V120C20MP12C	21.0	XAHC36D	1225	35.6	27.0	14.50	12.00	35.0	22.8	8.20	6.60	3.46	2.36
THE36B42S	TM8V120C20MP12C	21.0	XAHC48F	1225	35.2	26.4	14.50	12.00	34.4	22.8	9.00	7.45	3.66	2.60
THE36B42S	TM8V120C20MP12C	24.5	XAHD48F	1150	35.0	25.8	14.50	12.50	34.2	22.8	9.00	7.45	3.64	2.60
THE36B42S	TM8X080B12MP11	17.5	CF/CM/CU48C	1000	36.0	25.8	15.25	13.00	35.0	22.8	8.75	7.55	3.58	2.54
THE36B42S	TM8X080C16MP11	21.0	CF/CM/CU48C	950	36.0	25.2	15.50	13.00	35.2	22.8	8.75	7.80	3.52	2.52
THE36B42S	TM8X080C16MP11	21.0	CF/CM/CU48D	975	36.0	25.4	15.75	13.00	35.0	22.6	8.75	7.90	3.58	2.56
THE36B42S	TM8X100C16MP11	21.0	CF/CM/CU48C	950	36.0	25.2	15.50	13.00	35.2	22.8	8.75	7.80	3.52	2.52
THE36B42S	TM8X100C16MP11	21.0	CF/CM/CU48D	975	36.0	25.4	15.75	13.00	35.0	22.6	8.75	7.90	3.58	2.56
THE36B42S	TM8X100C20MP11	21.0	CF/CM/CU48C	1000	36.0	25.6	15.75	13.00	35.0	22.6	8.75	7.90	3.62	2.56
THE36B42S	TM8X100C20MP11	21.0	CF/CM/CU48D	1000	36.0	25.6	15.75	13.00	35.0	22.6	8.75	7.90	3.62	2.56
THE36B42S	TM8X120C20MP11	21.0	CF/CM/CU48C	1000	36.0	25.6	15.75	13.00	35.0	22.6	8.75	7.90	3.62	2.56
THE36B42S	TM8X120C20MP11	21.0	CF/CM/CU48D	1000	36.0	25.6	15.75	13.00	35.0	22.6	8.75	7.90	3.62	2.56
THE36B42S	TM8Y060A12MP11	17.5	XAF/XAUB36D	1100	34.8	25.2	14.00	12.00	35.6	23.6	8.20	6.70	3.42	2.34
THE36B42S	TM8Y080B12MP11	17.5	CF/CM/CU48C	1000	36.0	25.8	15.25	13.00	35.0	22.8	8.75	7.55	3.58	2.54
THE36B42S	TM8Y080B12MP11	17.5	XAF/XAUB36D	1150	35.0	25.6	14.00	12.00	35.6	23.6	8.20	6.55	3.46	2.36
THE36B42S	TM8Y080B12MP11	21.0	XAF/XAUC48F	1175	35.4	26.5	14.00	12.00	35.6	23.4	8.20	6.65	3.62	2.50
THE36B42S	TM8Y080B12MP11	21.0	XAFC36D	1175	35.2	25.9	14.00	12.00	35.6	23.6	8.20	6.45	3.48	2.36
THE36B42S	TM8Y080B12MP11	21.0	XAHC48F	1175	34.8	25.7	14.00	11.50	34.4	23.2	8.20	6.65	3.54	2.54
THE36B42S	TM8Y080C16MP11	21.0	CF/CM/CU48C	950	36.0	25.2	15.50	13.00	35.2	22.8	8.75	7.80	3.52	2.52
THE36B42S	TM8Y080C16MP11	21.0	CF/CM/CU48D	975	36.0	25.4	15.75	13.00	35.0	22.6	8.75	7.90	3.58	2.56
THE36B42S	TM8Y080C16MP11	21.0	XAF/XAUC48F	1350	35.6	28.5	14.50	12.00	35.6	23.6	9.00	7.35	3.74	2.54
THE36B42S	TM8Y080C16MP11	21.0	XAFC36D	1125	35.2	25.7	15.00	12.50	35.6	23.4	8.55	7.05	3.52	2.38
THE36B42S	TM8Y080C16MP11	24.5	XAFD48F	1150	35.6	26.5	15.00	12.50	35.6	23.2	8.55	6.80	3.68	2.54
THE36B42S	TM8Y080C16MP11	21.0	XAHC36D	1300	35.6	27.4	14.00	12.00	35.6	23.2	8.20	6.60	3.44	2.34
THE36B42S	TM8Y080C16MP11	21.0	XAHC48F	1125	34.8	25.4	14.50	12.00	34.0	23.0	8.55	6.90	3.58	2.58
THE36B42S	TM8Y080C16MP11	24.5	XAHD48F	1150	35.0	25.8	14.50	12.00	34.2	23.0	9.00	7.55	3.62	2.58

SYSTEM CAPACITY - With High Efficiency Motor Furnaces¹ (Continued)

UNIT MODEL	FURNACE		COIL MODEL ²	COOLING					HEATING					
	MODEL	WIDTH		RATED CFM	NET MBH		SEER	EER	NET MBH		HSPF Region IV	HSPF Region V	COP	
					TOTAL	SENS.			47°F OD	17°F OD			47°F OD	17°F OD
THE36B42S	TM8Y100C16MP11	21.0	CF/CM/CU48C	950	36.0	25.2	15.50	13.00	35.2	22.8	8.75	7.80	3.52	2.52
THE36B42S	TM8Y100C16MP11	21.0	CF/CM/CU48D	975	36.0	25.4	15.75	13.00	35.0	22.6	8.75	7.90	3.58	2.56
THE36B42S	TM8Y100C16MP11	21.0	XAF/XAUC48F	1150	35.6	26.5	15.00	12.50	35.6	23.2	8.55	6.80	3.68	2.54
THE36B42S	TM8Y100C16MP11	21.0	XAFC36D	1125	35.2	25.7	15.00	12.50	35.6	23.4	8.55	7.05	3.52	2.38
THE36B42S	TM8Y100C16MP11	24.5	XAFD48F	1150	35.6	26.5	15.00	12.50	35.6	23.2	8.55	6.80	3.68	2.54
THE36B42S	TM8Y100C16MP11	21.0	XAHC36D	1125	35.0	25.8	14.50	12.00	34.8	22.6	8.20	6.75	3.36	2.34
THE36B42S	TM8Y100C16MP11	21.0	XAHC48F	1125	34.8	25.4	14.50	12.00	34.0	23.0	8.55	6.90	3.58	2.58
THE36B42S	TM8Y100C16MP11	24.5	XAHD48F	1150	35.0	25.8	14.50	12.00	34.2	23.0	9.00	7.55	3.62	2.58
THE36B42S	TM8Y100C20MP11	21.0	CF/CM/CU48C	1000	36.0	25.6	15.75	13.00	35.0	22.6	8.75	7.90	3.62	2.56
THE36B42S	TM8Y100C20MP11	21.0	CF/CM/CU48D	1000	36.0	25.6	15.75	13.00	35.0	22.6	8.75	7.90	3.62	2.56
THE36B42S	TM8Y100C20MP11	21.0	XAF/XAUC48F	1200	35.6	27.1	15.00	12.50	35.6	23.2	9.00	7.35	3.72	2.56
THE36B42S	TM8Y100C20MP11	21.0	XAFC36D	1175	35.4	26.1	15.00	12.50	35.6	23.4	8.55	6.90	3.56	2.40
THE36B42S	TM8Y100C20MP11	24.5	XAFD48F	1200	35.6	27.3	15.00	12.50	35.6	23.2	9.00	7.35	3.74	2.56
THE36B42S	TM8Y100C20MP11	21.0	XAHC36D	1150	35.2	26.2	14.50	12.50	35.0	22.6	8.20	6.65	3.40	2.34
THE36B42S	TM8Y100C20MP11	21.0	XAHC48F	1175	35.0	25.9	14.50	12.00	34.4	23.0	9.00	7.55	3.62	2.58
THE36B42S	TM8Y100C20MP11	24.5	XAHD48F	1200	35.2	26.3	14.50	12.50	34.4	22.8	9.00	7.45	3.66	2.60
THE36B42S	TM8Y120C20MP11	21.0	CF/CM/CU48C	1000	36.0	25.6	15.75	13.00	35.0	22.6	8.75	7.90	3.62	2.56
THE36B42S	TM8Y120C20MP11	21.0	CF/CM/CU48D	1000	36.0	25.6	15.75	13.00	35.0	22.6	8.75	7.90	3.62	2.56
THE36B42S	TM8Y120C20MP11	21.0	XAF/XAUC48F	1200	35.6	27.1	15.00	12.50	35.6	23.2	9.00	7.35	3.72	2.56
THE36B42S	TM8Y120C20MP11	21.0	XAFC36D	1175	35.4	26.1	15.00	12.50	35.6	23.4	8.55	6.90	3.56	2.40
THE36B42S	TM8Y120C20MP11	24.5	XAFD48F	1200	35.6	27.3	15.00	12.50	35.6	23.2	9.00	7.35	3.74	2.56
THE36B42S	TM8Y120C20MP11	21.0	XAHC36D	1150	35.2	26.2	14.50	12.50	35.0	22.6	8.20	6.65	3.40	2.34
THE36B42S	TM8Y120C20MP11	21.0	XAHC48F	1175	35.0	25.9	14.50	12.00	34.4	23.0	9.00	7.55	3.62	2.58
THE36B42S	TM8Y120C20MP11	24.5	XAHD48F	1200	35.2	26.3	14.50	12.50	34.4	22.8	9.00	7.45	3.66	2.60
THE36B42S	TM9E060A10MP12	17.5	XAF/XAUB36D	1025	34.6	24.5	14.00	12.00	35.6	23.6	8.20	6.75	3.36	2.32
THE36B42S	TM9E060B12MP11	17.5	CF/CM/CU48C	1150	36.0	27.2	14.75	12.25	35.4	23.2	8.75	7.55	3.56	2.50
THE36B42S	TM9E060B12MP12	17.5	XAF/XAUB36D	1050	34.8	24.8	14.00	12.00	35.6	23.6	8.20	6.75	3.38	2.32
THE36B42S	TM9E060B12MP12	21.0	XAF/XAUC48F	1075	35.0	25.4	14.00	12.00	35.6	23.4	8.55	6.85	3.54	2.46
THE36B42S	TM9E060B12MP12	21.0	XAFC36D	1050	34.8	24.8	14.00	12.00	35.6	23.6	8.20	6.75	3.38	2.32
THE36B42S	TM9E080B12MP11	17.5	CF/CM/CU48C	1000	36.0	25.8	15.25	12.75	35.2	22.8	8.75	7.55	3.56	2.52
THE36B42S	TM9E080B12MP12	17.5	XAF/XAUB36D	1025	34.8	24.7	14.50	12.00	35.6	23.4	8.20	6.70	3.40	2.34
THE36B42S	TM9E080B12MP12	21.0	XAF/XAUC48F	1050	35.0	25.2	14.50	12.00	35.6	23.2	8.55	7.05	3.58	2.48
THE36B42S	TM9E080B12MP12	21.0	XAFC36D	1025	34.8	24.7	14.50	12.00	35.6	23.4	8.20	6.70	3.40	2.34
THE36B42S	TM9E080B12MP12	21.0	XAHC48F	1025	34.4	24.2	14.00	12.00	34.0	23.2	8.20	6.90	3.48	2.54
THE36B42S	TM9E080C16MP11	21.0	CF/CM/CU48C	1150	36.0	27.2	15.25	12.75	35.2	22.8	8.75	7.50	3.64	2.54
THE36B42S	TM9E080C16MP11	21.0	CF/CM/CU48D	1150	36.0	27.2	15.25	12.75	35.2	22.8	8.75	7.50	3.64	2.54
THE36B42S	TM9E080C16MP12	21.0	XAF/XAUC48F	1050	35.2	25.4	14.50	12.50	35.6	23.2	8.55	6.95	3.60	2.50

SYSTEM CAPACITY - With High Efficiency Motor Furnaces¹ (Continued)

UNIT MODEL	FURNACE		COIL MODEL ²	COOLING					HEATING					
	MODEL	WIDTH		RATED CFM	NET MBH		SEER	EER	NET MBH		HSPF Region IV	HSPF Region V	COP	
					TOTAL	SENS.			47°F OD	17°F OD			47°F OD	17°F OD
THE36B42S	TM9E080C16MP12	21.0	XAFC36D	1050	34.8	25.0	14.50	12.50	35.6	23.4	8.20	6.55	3.46	2.36
THE36B42S	TM9E080C16MP12	24.5	XAFD48F	1075	35.2	25.6	14.50	12.50	35.6	23.2	8.55	6.90	3.62	2.50
THE36B42S	TM9E080C16MP12	21.0	XAHC36D	1200	35.2	26.5	14.00	12.00	35.0	23.0	8.20	6.80	3.38	2.32
THE36B42S	TM9E080C16MP12	21.0	XAHC48F	1050	34.6	24.5	14.50	12.00	34.0	23.0	8.55	7.05	3.52	2.56
THE36B42S	TM9E080C16MP12	24.5	XAHD48F	1075	34.8	24.9	14.50	12.00	34.0	23.0	8.55	7.00	3.56	2.58
THE36B42S	TM9E080C20MP12	21.0	XAF/XAUC48F	1200	35.6	27.1	15.00	12.50	35.6	23.2	9.00	7.40	3.72	2.54
THE36B42S	TM9E080C20MP12	21.0	XAFC36D	1175	35.4	26.1	15.00	12.50	35.6	23.4	8.55	7.00	3.54	2.40
THE36B42S	TM9E080C20MP12	24.5	XAFD48F	1225	35.6	27.4	15.00	12.50	35.6	23.2	9.00	7.35	3.74	2.56
THE36B42S	TM9E080C20MP12	21.0	XAHC36D	1150	35.2	26.2	14.50	12.00	35.0	22.6	8.20	6.75	3.38	2.34
THE36B42S	TM9E080C20MP12	21.0	XAHC48F	1175	35.0	25.9	14.50	12.00	34.4	23.0	9.00	7.50	3.62	2.58
THE36B42S	TM9E080C20MP12	24.5	XAHD48F	1200	35.2	26.3	14.50	12.00	34.4	22.8	9.00	7.45	3.66	2.60
THE36B42S	TM9E100C16MP11	21.0	CF/CM/CU48C	1000	36.0	25.6	15.50	13.00	35.0	22.6	8.75	7.90	3.60	2.54
THE36B42S	TM9E100C16MP11	21.0	CF/CM/CU48D	1000	36.0	25.6	15.50	13.00	35.0	22.6	8.75	7.90	3.60	2.54
THE36B42S	TM9E100C16MP12	21.0	XAF/XAUC48F	1050	35.2	25.4	15.00	12.50	35.6	23.0	8.55	7.00	3.62	2.50
THE36B42S	TM9E100C16MP12	21.0	XAFC36D	1225	35.4	26.3	14.50	12.00	35.6	23.6	8.20	6.70	3.52	2.38
THE36B42S	TM9E100C16MP12	24.5	XAFD48F	1050	35.2	25.4	15.00	12.50	35.6	23.0	8.55	6.90	3.62	2.50
THE36B42S	TM9E100C16MP12	21.0	XAHC36D	1225	35.4	26.8	14.00	12.00	35.0	23.0	8.20	6.65	3.40	2.34
THE36B42S	TM9E100C16MP12	21.0	XAHC48F	1025	34.6	24.4	14.50	12.00	34.0	23.0	8.55	7.10	3.52	2.56
THE36B42S	TM9E100C16MP12	24.5	XAHD48F	1050	34.8	24.7	14.50	12.00	34.0	23.0	8.55	7.00	3.54	2.58
THE36B42S	TM9E100C20MP11	21.0	CF/CM/CU48C	1175	36.0	27.4	15.50	13.00	35.2	22.8	8.75	7.95	3.68	2.56
THE36B42S	TM9E100C20MP11	21.0	CF/CM/CU48D	1200	36.0	27.6	15.50	13.00	35.2	22.8	9.00	7.95	3.70	2.56
THE36B42S	TM9E100C20MP12	21.0	XAF/XAUC48F	1175	35.6	26.9	15.00	12.50	35.6	23.2	9.00	7.40	3.70	2.54
THE36B42S	TM9E100C20MP12	21.0	XAFC36D	1150	35.4	26.0	15.00	12.50	35.6	23.4	8.55	6.95	3.54	2.40
THE36B42S	TM9E100C20MP12	24.5	XAFD48F	1200	35.6	27.1	15.00	12.50	35.6	23.2	9.00	7.35	3.74	2.56
THE36B42S	TM9E100C20MP12	21.0	XAHC36D	1150	35.2	26.2	14.50	12.50	35.0	22.6	8.20	6.75	3.38	2.34
THE36B42S	TM9E100C20MP12	21.0	XAHC48F	1150	35.0	25.8	14.50	12.00	34.4	23.0	8.55	6.90	3.60	2.58
THE36B42S	TM9E100C20MP12	24.5	XAHD48F	1200	35.2	26.3	14.50	12.50	34.4	22.8	9.00	7.45	3.66	2.60
THE36B42S	TM9E120D20MP11	24.5	CF/CM/CU48D	950	36.0	25.2	15.75	13.00	35.2	22.6	8.75	7.80	3.54	2.52
THE36B42S	TM9E120D20MP12	24.5	XAFD48F	1225	35.6	27.4	15.00	12.50	35.6	23.2	9.00	7.35	3.74	2.56
THE36B42S	TM9E120D20MP12	24.5	XAHD48F	1200	35.2	26.3	14.50	12.00	34.4	23.0	9.00	7.55	3.64	2.58
THE36B42S	TM9V060B12MP12C	17.5	CF/CM/CU48C	1000	36.0	25.6	14.75	12.50	35.2	23.0	8.50	7.35	3.52	2.50
THE36B42S	TM9V060B12MP12C	17.5	XAF/XAUB36D	1000	34.6	24.4	14.00	12.00	35.6	23.6	8.20	6.75	3.38	2.32
THE36B42S	TM9V060B12MP12C	21.0	XAF/XAUC48F	1000	34.8	24.5	14.00	12.00	35.4	23.2	8.55	6.95	3.54	2.46
THE36B42S	TM9V060B12MP12C	21.0	XAFC36D	1000	34.6	24.4	14.00	12.00	35.6	23.4	8.20	6.75	3.38	2.34
THE36B42S	TM9V080B12MP12C	17.5	CF/CM/CU48C	1050	36.0	26.2	15.25	12.75	35.2	22.8	8.75	7.55	3.60	2.52
THE36B42S	TM9V080B12MP12C	17.5	XAF/XAUB36D	1100	34.8	25.2	14.00	12.00	35.6	23.6	8.20	6.50	3.44	2.36
THE36B42S	TM9V080B12MP12C	21.0	XAF/XAUC48F	1075	35.0	25.4	14.50	12.00	35.6	23.2	8.55	6.95	3.60	2.50

SYSTEM CAPACITY - With High Efficiency Motor Furnaces¹ (Continued)

UNIT MODEL	FURNACE		COIL MODEL ²	COOLING					HEATING					
	MODEL	WIDTH		RATED CFM	NET MBH		SEER	EER	NET MBH		HSPF Region IV	HSPF Region V	COP	
					TOTAL	SENS.			47°F OD	17°F OD			47°F OD	17°F OD
THE36B42S	TM9V080B12MP12C	21.0	XAFC36D	1100	34.8	25.2	14.50	12.00	35.6	23.4	8.20	6.55	3.46	2.36
THE36B42S	TM9V080B12MP12C	21.0	XAHC48F	1075	34.6	24.7	14.00	12.00	34.0	23.2	8.20	6.70	3.52	2.56
THE36B42S	TM9V080C16MP12C	21.0	CF/CM/CU48C	1025	36.0	26.0	15.25	13.00	35.0	22.8	8.75	7.85	3.58	2.54
THE36B42S	TM9V080C16MP12C	21.0	CF/CM/CU48D	950	36.0	25.2	15.50	13.00	35.2	22.8	8.50	7.80	3.52	2.52
THE36B42S	TM9V080C16MP12C	21.0	XAF/XAUC48F	1125	35.4	26.1	14.50	12.00	35.6	23.2	8.55	6.90	3.64	2.52
THE36B42S	TM9V080C16MP12C	21.0	XAFC36D	1125	35.0	25.5	14.50	12.00	35.6	23.4	8.20	6.45	3.48	2.38
THE36B42S	TM9V080C16MP12C	24.5	XAFD48F	1225	35.6	27.2	14.50	12.00	35.6	23.4	8.55	6.75	3.68	2.52
THE36B42S	TM9V080C16MP12C	21.0	XAHC36D	1225	35.2	26.6	14.00	11.50	35.0	23.0	8.20	6.75	3.38	2.32
THE36B42S	TM9V080C16MP12C	21.0	XAHC48F	1125	34.8	25.2	14.00	12.00	34.0	23.0	8.20	6.70	3.56	2.56
THE36B42S	TM9V080C16MP12C	24.5	XAHD48F	1225	35.0	26.2	14.00	12.00	34.6	23.0	8.20	6.50	3.62	2.56
THE36B42S	TM9V100C16MP12C	21.0	CF/CM/CU48C	1050	36.0	26.2	15.50	13.00	35.0	22.6	8.75	7.90	3.64	2.54
THE36B42S	TM9V100C16MP12C	21.0	CF/CM/CU48D	975	36.0	25.4	15.50	13.00	35.0	22.6	8.75	7.90	3.58	2.56
THE36B42S	TM9V100C16MP12C	21.0	XAF/XAUC48F	1100	35.4	26.0	15.00	12.50	35.6	23.0	8.55	6.85	3.66	2.54
THE36B42S	TM9V100C16MP12C	21.0	XAFC36D	1100	35.0	25.4	15.00	12.50	35.6	23.2	8.55	7.05	3.50	2.40
THE36B42S	TM9V100C16MP12C	24.5	XAFD48F	1175	35.6	26.9	15.00	12.50	35.6	23.2	9.00	7.40	3.72	2.54
THE36B42S	TM9V100C16MP12C	21.0	XAHC36D	1100	34.8	25.5	14.50	12.00	34.4	22.6	8.20	6.80	3.36	2.34
THE36B42S	TM9V100C16MP12C	21.0	XAHC48F	1100	34.8	25.3	14.50	12.00	34.0	23.0	8.55	6.90	3.58	2.58
THE36B42S	TM9V100C16MP12C	24.5	XAHD48F	1175	35.0	25.9	14.50	12.00	34.4	22.8	9.00	7.55	3.64	2.60
THE36B42S	TM9V100C20MP12C	21.0	CF/CM/CU48C	1100	36.0	26.6	15.50	13.00	35.2	22.8	8.75	7.95	3.66	2.56
THE36B42S	TM9V100C20MP12C	21.0	CF/CM/CU48D	1100	36.0	26.6	15.50	13.00	35.2	22.6	8.75	7.95	3.66	2.56
THE36B42S	TM9V100C20MP12C	21.0	XAF/XAUC48F	1100	35.4	26.0	14.50	12.50	35.6	23.2	8.55	6.85	3.66	2.52
THE36B42S	TM9V100C20MP12C	21.0	XAFC36D	1225	35.4	26.3	14.50	12.00	35.6	23.4	8.55	7.00	3.56	2.40
THE36B42S	TM9V100C20MP12C	24.5	XAFD48F	1100	35.4	26.0	14.50	12.50	35.6	23.0	8.55	6.85	3.66	2.52
THE36B42S	TM9V100C20MP12C	21.0	XAHC36D	1225	35.4	26.8	14.00	12.00	35.0	22.8	8.20	6.70	3.42	2.34
THE36B42S	TM9V100C20MP12C	21.0	XAHC48F	1225	35.0	26.2	14.00	12.00	34.6	23.0	8.20	6.55	3.64	2.58
THE36B42S	TM9V100C20MP12C	24.5	XAHD48F	1100	34.8	25.1	14.50	12.00	34.0	23.0	8.55	6.90	3.58	2.58
THE36B42S	TM9V120D20MP12C	24.5	CF/CM/CU48D	1050	36.0	26.2	15.75	13.00	35.0	22.6	8.75	7.95	3.66	2.56
THE36B42S	TM9V120D20MP12C	24.5	XAFD48F	1200	35.6	27.1	15.00	12.50	35.6	23.2	9.00	7.35	3.74	2.56
THE36B42S	TM9V120D20MP12C	24.5	XAHD48F	1200	35.2	26.3	14.50	12.00	34.4	22.8	9.00	7.45	3.66	2.60
THE36B42S	TM9Y060B12MP11	17.5	CF/CM/CU48C	1150	36.0	27.2	14.75	12.25	35.4	23.2	8.75	7.55	3.56	2.50
THE36B42S	TM9Y060B12MP11	17.5	XAF/XAUB36D	1100	34.8	25.0	14.00	11.50	35.6	23.8	8.20	6.65	3.40	2.32
THE36B42S	TM9Y060B12MP11	21.0	XAF/XAUC48F	1125	35.2	25.9	14.00	11.50	35.6	23.6	8.20	6.50	3.56	2.46
THE36B42S	TM9Y060B12MP11	21.0	XAFC36D	1100	34.8	25.0	14.00	11.50	35.6	23.8	8.20	6.65	3.40	2.32
THE36B42S	TM9Y080B12MP11	17.5	CF/CM/CU48C	1000	36.0	25.8	15.25	12.75	35.2	22.8	8.75	7.55	3.56	2.52
THE36B42S	TM9Y080B12MP11	17.5	XAF/XAUB36D	1125	34.8	25.3	14.00	12.00	35.6	23.8	8.20	6.60	3.42	2.34
THE36B42S	TM9Y080B12MP11	21.0	XAF/XAUC48F	1150	35.2	26.1	14.00	12.00	35.6	23.6	8.20	6.70	3.58	2.48
THE36B42S	TM9Y080B12MP11	21.0	XAFC36D	1150	35.0	25.6	14.00	12.00	35.6	23.8	8.20	6.60	3.44	2.34

SYSTEM CAPACITY - With High Efficiency Motor Furnaces¹ (Continued)

UNIT MODEL	FURNACE		COIL MODEL ²	COOLING					HEATING					
	MODEL	WIDTH		RATED CFM	NET MBH		SEER	EER	NET MBH		HSPF Region IV	HSPF Region V	COP	
					TOTAL	SENS.			47°F OD	17°F OD			47°F OD	17°F OD
THE36B42S	TM9Y080C16MP11	21.0	CF/CM/CU48C	1150	36.0	27.2	15.25	12.75	35.2	22.8	8.75	7.50	3.64	2.54
THE36B42S	TM9Y080C16MP11	21.0	CF/CM/CU48D	1150	36.0	27.2	15.25	12.75	35.2	22.8	8.75	7.50	3.64	2.54
THE36B42S	TM9Y080C16MP11	21.0	XAF/XAUC48F	1100	35.2	25.8	14.50	12.00	35.6	23.2	8.55	7.00	3.62	2.50
THE36B42S	TM9Y080C16MP11	21.0	XAFC36D	1100	35.0	25.4	14.50	12.00	35.6	23.4	8.20	6.55	3.46	2.36
THE36B42S	TM9Y080C16MP11	24.5	XAFD48F	1125	35.4	26.1	14.50	12.00	35.6	23.2	8.55	6.90	3.64	2.50
THE36B42S	TM9Y080C16MP11	21.0	XAHC36D	1200	35.2	26.5	14.00	12.00	35.0	23.0	8.20	6.80	3.36	2.32
THE36B42S	TM9Y080C16MP11	21.0	XAHC48F	1100	34.8	25.1	14.00	12.00	34.0	23.0	8.20	6.70	3.54	2.56
THE36B42S	TM9Y080C16MP11	24.5	XAHD48F	1125	34.8	25.4	14.00	12.00	34.0	23.0	8.20	6.65	3.56	2.56
THE36B42S	TM9Y100C16MP11	21.0	CF/CM/CU48C	1000	36.0	25.6	15.50	13.00	35.0	22.6	8.75	7.90	3.60	2.54
THE36B42S	TM9Y100C16MP11	21.0	CF/CM/CU48D	1000	36.0	25.6	15.50	13.00	35.0	22.6	8.75	7.90	3.60	2.54
THE36B42S	TM9Y100C16MP11	21.0	XAF/XAUC48F	1125	35.4	26.1	14.50	12.50	35.6	23.2	8.55	6.90	3.64	2.52
THE36B42S	TM9Y100C16MP11	21.0	XAFC36D	1100	35.0	25.4	14.50	12.50	35.6	23.4	8.20	6.45	3.48	2.38
THE36B42S	TM9Y100C16MP11	24.5	XAFD48F	1125	35.4	26.1	14.50	12.50	35.6	23.2	8.55	6.85	3.64	2.52
THE36B42S	TM9Y100C16MP11	21.0	XAHC36D	1200	35.2	26.5	14.00	12.00	35.0	23.0	8.20	6.70	3.38	2.32
THE36B42S	TM9Y100C16MP11	21.0	XAHC48F	1100	34.8	25.1	14.00	12.00	34.0	23.0	8.20	6.70	3.54	2.56
THE36B42S	TM9Y100C16MP11	24.5	XAHD48F	1125	34.8	25.4	14.50	12.00	34.0	23.0	8.55	7.00	3.58	2.58
THE36B42S	TM9Y100C20MP11	21.0	CF/CM/CU48C	1175	36.0	27.4	15.50	13.00	35.2	22.8	8.75	7.95	3.68	2.56
THE36B42S	TM9Y100C20MP11	21.0	CF/CM/CU48D	1200	36.0	27.6	15.50	13.00	35.2	22.8	9.00	7.95	3.70	2.56
THE36B42S	TM9Y100C20MP11	21.0	XAF/XAUC48F	1150	35.6	26.5	14.50	12.50	35.6	23.2	8.55	6.85	3.66	2.52
THE36B42S	TM9Y100C20MP11	21.0	XAFC36D	1300	35.6	27.0	14.50	12.00	35.6	23.8	8.55	6.90	3.58	2.38
THE36B42S	TM9Y100C20MP11	24.5	XAFD48F	1150	35.6	26.5	14.50	12.50	35.6	23.2	8.55	6.85	3.66	2.52
THE36B42S	TM9Y100C20MP11	21.0	XAHC36D	1275	35.6	27.3	14.00	12.00	35.6	23.0	8.20	6.65	3.44	2.34
THE36B42S	TM9Y100C20MP11	21.0	XAHC48F	1125	34.8	25.4	14.00	12.00	34.0	23.0	8.20	6.65	3.56	2.56
THE36B42S	TM9Y100C20MP11	24.5	XAHD48F	1150	35.0	25.8	14.50	12.00	34.4	23.0	8.55	6.90	3.60	2.58
THE36B42S	TM9Y120D20MP11	24.5	CF/CM/CU48D	950	36.0	25.2	15.75	13.00	35.2	22.6	8.75	7.80	3.54	2.52
THE36B42S	TM9Y120D20MP11	24.5	XAFD48F	1225	35.6	27.4	15.00	12.50	35.6	23.2	9.00	7.35	3.74	2.56
THE36B42S	TM9Y120D20MP11	24.5	XAHD48F	1225	35.4	26.6	14.50	12.00	34.4	22.8	9.00	7.45	3.68	2.60
THE36B42S	TMLE040A12MP11	17.5	XAF/XAUB36D	1000	34.8	24.6	14.50	12.00	35.6	23.4	8.20	6.70	3.42	2.36
THE36B42S	TMLE040A12MP11	14.5	XAFA30D	1125	34.8	25.3	14.00	12.00	35.6	23.8	8.20	6.70	3.42	2.34
THE36B42S	TMLE060A12MP11	17.5	XAF/XAUB36D	1000	34.8	24.6	14.50	12.00	35.6	23.4	8.20	6.70	3.40	2.36
THE36B42S	TMLE060A12MP11	14.5	XAFA30D	1150	34.8	25.4	14.00	11.50	35.6	23.8	8.20	6.65	3.42	2.32
THE36B42S	TMLE080B12MP11	17.5	XAF/XAUB36D	1000	34.8	24.6	14.50	12.00	35.6	23.4	8.20	6.70	3.40	2.34
THE36B42S	TMLE080B12MP11	21.0	XAF/XAUC48F	1025	35.0	25.1	14.50	12.00	35.6	23.2	8.55	7.05	3.58	2.48
THE36B42S	TMLE080B12MP11	21.0	XAFC36D	1000	34.8	24.6	14.50	12.00	35.6	23.4	8.20	6.70	3.40	2.34
THE36B42S	TMLE080B12MP11	21.0	XAHC48F	1000	34.4	24.0	14.00	12.00	34.0	23.2	8.20	6.80	3.48	2.56
THE36B42S	TMLE080C16MP11	21.0	XAF/XAUC48F	1075	35.4	25.8	15.00	12.50	35.6	23.0	8.55	6.90	3.64	2.52
THE36B42S	TMLE080C16MP11	21.0	XAFC36D	1225	35.6	26.5	14.50	12.00	35.6	23.6	8.55	7.00	3.56	2.40

SYSTEM CAPACITY - With High Efficiency Motor Furnaces¹ (Continued)

UNIT MODEL	FURNACE		COIL MODEL ²	COOLING					HEATING					
	MODEL	WIDTH		RATED CFM	NET MBH		SEER	EER	NET MBH		HSPF Region IV	HSPF Region V	COP	
					TOTAL	SENS.			47°F OD	17°F OD			47°F OD	17°F OD
THE36B42S	TMLE080C16MP11	24.5	XAFD48F	1075	35.4	25.8	15.00	12.50	35.6	23.0	8.55	6.85	3.64	2.52
THE36B42S	TMLE080C16MP11	21.0	XAHC36D	1225	35.4	26.8	14.00	12.00	35.0	22.8	8.20	6.70	3.42	2.34
THE36B42S	TMLE080C16MP11	21.0	XAHC48F	1050	34.8	24.7	14.50	12.00	34.0	23.0	8.55	7.00	3.54	2.58
THE36B42S	TMLE080C16MP11	24.5	XAHD48F	1075	34.8	24.9	14.50	12.00	34.0	23.0	8.55	6.90	3.58	2.58
THE36B42S	TMLE080C20MP11	21.0	XAF/XAUC48F	1225	35.6	27.4	15.00	12.50	35.6	23.2	9.00	7.35	3.74	2.56
THE36B42S	TMLE080C20MP11	21.0	XAFC36D	1200	35.6	26.4	15.00	12.50	35.6	23.4	8.55	6.90	3.58	2.40
THE36B42S	TMLE080C20MP11	24.5	XAFD48F	1225	35.6	27.4	15.00	12.50	35.6	23.2	9.00	7.35	3.74	2.56
THE36B42S	TMLE080C20MP11	21.0	XAHC36D	1175	35.4	26.5	14.50	12.50	35.0	22.6	8.20	6.65	3.42	2.36
THE36B42S	TMLE080C20MP11	21.0	XAHC48F	1200	35.2	26.3	14.50	12.00	34.4	23.0	9.00	7.55	3.64	2.58
THE36B42S	TMLE080C20MP11	24.5	XAHD48F	1225	35.4	26.6	14.50	12.00	34.4	22.8	9.00	7.45	3.68	2.60
THE36B42S	TMLE100B12MP11	17.5	XAF/XAUB36D	1050	34.8	25.0	14.50	12.00	35.6	23.4	8.20	6.60	3.44	2.36
THE36B42S	TMLE100B12MP11	21.0	XAF/XAUC48F	1075	35.2	25.6	14.50	12.00	35.6	23.2	8.55	6.95	3.60	2.50
THE36B42S	TMLE100B12MP11	21.0	XAFC36D	1050	34.8	25.0	14.50	12.00	35.6	23.4	8.20	6.60	3.44	2.36
THE36B42S	TMLE100B12MP11	21.0	XAHC36D	1200	35.0	26.3	14.00	11.50	35.0	23.0	8.20	6.80	3.36	2.32
THE36B42S	TMLE100B12MP11	21.0	XAHC48F	1050	34.6	24.5	14.00	12.00	34.0	23.2	8.20	6.80	3.50	2.56
THE36B42S	TMLE100C16MP11	21.0	XAF/XAUC48F	1075	35.4	25.8	15.00	12.50	35.6	23.0	8.55	6.90	3.64	2.52
THE36B42S	TMLE100C16MP11	21.0	XAFC36D	1250	35.6	26.6	14.50	12.00	35.6	23.6	8.55	7.00	3.56	2.40
THE36B42S	TMLE100C16MP11	24.5	XAFD48F	1100	35.4	26.0	15.00	12.50	35.6	23.0	8.55	6.85	3.66	2.52
THE36B42S	TMLE100C16MP11	21.0	XAHC36D	1250	35.6	27.2	14.00	12.00	35.0	23.0	8.20	6.60	3.44	2.34
THE36B42S	TMLE100C16MP11	21.0	XAHC48F	1050	34.8	24.7	14.50	12.00	34.0	23.0	8.55	7.10	3.54	2.58
THE36B42S	TMLE100C16MP11	24.5	XAHD48F	1100	34.8	25.3	14.50	12.00	34.0	23.0	8.55	6.90	3.58	2.58
THE36B42S	TMLE100C20MP11	21.0	XAF/XAUC48F	1225	35.6	27.4	15.00	12.50	35.6	23.2	9.00	7.35	3.74	2.56
THE36B42S	TMLE100C20MP11	21.0	XAFC36D	1200	35.6	26.4	15.00	12.50	35.6	23.4	8.55	6.90	3.56	2.40
THE36B42S	TMLE100C20MP11	24.5	XAFD48F	1225	35.6	27.4	15.00	12.50	35.6	23.2	9.00	7.35	3.74	2.56
THE36B42S	TMLE100C20MP11	21.0	XAHC36D	1175	35.2	26.3	14.50	12.00	35.0	22.6	8.20	6.65	3.40	2.36
THE36B42S	TMLE100C20MP11	21.0	XAHC48F	1200	35.2	26.3	14.50	12.00	34.4	23.0	9.00	7.55	3.64	2.58
THE36B42S	TMLE100C20MP11	24.5	XAHD48F	1225	35.4	26.6	14.50	12.00	34.4	22.8	9.00	7.45	3.68	2.60
THE36B42S	TMLE120C16MP11	21.0	XAF/XAUC48F	1075	35.4	25.8	15.00	12.50	35.6	23.0	8.55	6.90	3.64	2.52
THE36B42S	TMLE120C16MP11	21.0	XAFC36D	1250	35.6	26.6	14.50	12.00	35.6	23.6	8.55	6.90	3.56	2.40
THE36B42S	TMLE120C16MP11	24.5	XAFD48F	1100	35.4	26.0	15.00	12.50	35.6	23.0	8.55	6.85	3.66	2.52
THE36B42S	TMLE120C16MP11	21.0	XAHC36D	1250	35.6	27.2	14.00	12.00	35.0	23.0	8.20	6.60	3.44	2.34
THE36B42S	TMLE120C16MP11	21.0	XAHC48F	1075	34.8	24.9	14.50	12.00	34.0	23.0	8.55	7.00	3.56	2.58
THE36B42S	TMLE120C16MP11	24.5	XAHD48F	1300	35.6	27.3	14.50	12.00	34.8	23.0	9.00	7.40	3.68	2.58
THE36B42S	TMLE120C20MP11	21.0	XAF/XAUC48F	1250	35.6	27.6	15.00	12.50	35.6	23.2	9.00	7.35	3.74	2.56
THE36B42S	TMLE120C20MP11	21.0	XAFC36D	1225	35.6	26.5	15.00	12.50	35.6	23.4	8.55	6.90	3.58	2.40
THE36B42S	TMLE120C20MP11	24.5	XAFD48F	1275	35.6	28.0	15.00	12.50	35.6	23.2	9.00	7.30	3.78	2.56
THE36B42S	TMLE120C20MP11	21.0	XAHC36D	1225	35.6	27.0	14.50	12.50	35.0	22.8	8.20	6.60	3.44	2.36

SYSTEM CAPACITY - With High Efficiency Motor Furnaces¹ (Continued)

UNIT MODEL	FURNACE		COIL MODEL ²	COOLING					HEATING					
	MODEL	WIDTH		RATED CFM	NET MBH		SEER	EER	NET MBH		HSPF Region IV	HSPF Region V	COP	
					TOTAL	SENS.			47°F OD	17°F OD			47°F OD	17°F OD
THE36B42S	TMLE120C20MP11	21.0	XAHC48F	1225	35.2	26.4	14.50	12.00	34.6	23.0	9.00	7.50	3.66	2.58
THE36B42S	TMLE120C20MP11	24.5	XAHD48F	1275	35.6	27.1	14.50	12.00	34.6	22.8	9.00	7.35	3.70	2.60
THE36B42S	TMLE130D20MP11	24.5	XAFD48F	1275	35.6	28.0	15.00	12.50	35.6	23.2	9.00	7.30	3.78	2.58
THE36B42S	TMLE130D20MP11	24.5	XAHD48F	1250	35.4	26.8	14.50	12.00	34.4	22.8	9.00	7.45	3.68	2.60
THE36B42S	TMLV060A12MP12C	17.5	XAF/XAUB36D	1075	34.8	25.1	14.50	12.00	35.6	23.4	8.20	6.60	3.44	2.36
THE36B42S	TMLV060A12MP12C	14.5	XAFA30D	1075	34.8	24.9	14.00	12.00	35.6	23.6	8.20	6.65	3.40	2.34
THE36B42S	TMLV080B12MP12C	17.5	CF/CM/CU48C	1000	36.0	25.6	14.75	12.50	35.2	23.0	8.50	7.35	3.52	2.50
THE36B42S	TMLV080C16MP12C	21.0	CF/CM/CU48C	1050	36.0	26.2	15.50	13.00	35.2	22.6	8.75	7.90	3.64	2.54
THE36B42S	TMLV080C16MP12C	21.0	CF/CM/CU48D	950	36.0	25.2	15.50	13.00	35.2	22.8	8.75	7.80	3.52	2.52
THE36B42S	TMLV100C16MP12C	21.0	CF/CM/CU48C	1050	36.0	26.2	15.50	13.00	35.2	22.6	8.75	7.90	3.64	2.54
THE36B42S	TMLV100C16MP12C	21.0	CF/CM/CU48D	950	36.0	25.2	15.50	13.00	35.2	22.8	8.75	7.80	3.52	2.52
THE36B42S	TMLV100C16MP12C	21.0	XAF/XAUC48F	1050	35.2	25.4	15.00	12.50	35.6	23.0	8.55	6.90	3.64	2.52
THE36B42S	TMLV100C16MP12C	21.0	XAFC36D	1275	35.6	26.7	14.50	12.00	35.6	23.6	8.55	6.90	3.58	2.40
THE36B42S	TMLV100C16MP12C	24.5	XAFD48F	1050	35.2	25.4	15.00	12.50	35.6	23.0	8.55	6.90	3.64	2.52
THE36B42S	TMLV100C16MP12C	21.0	XAHC36D	1200	35.2	26.5	14.00	12.00	35.0	22.8	8.20	6.65	3.40	2.34
THE36B42S	TMLV100C16MP12C	21.0	XAHC48F	1050	34.6	24.5	14.50	12.00	34.0	23.0	8.55	7.00	3.54	2.58
THE36B42S	TMLV100C16MP12C	24.5	XAHD48F	1150	35.0	25.8	14.50	12.00	34.4	23.0	8.55	6.90	3.60	2.58
THE36B42S	TMLV100C20MP12C	21.0	CF/CM/CU48C	1150	36.0	27.2	15.75	13.00	35.0	22.6	9.00	8.00	3.70	2.58
THE36B42S	TMLV100C20MP12C	21.0	CF/CM/CU48D	1150	36.0	27.2	15.75	13.00	35.0	22.6	9.00	8.00	3.70	2.58
THE36B42S	TMLV120C20MP12C	21.0	CF/CM/CU48C	1150	36.0	27.2	15.75	13.00	35.0	22.6	9.00	8.00	3.70	2.58
THE36B42S	TMLV120C20MP12C	21.0	CF/CM/CU48D	1150	36.0	27.2	15.75	13.00	35.0	22.6	9.00	8.00	3.70	2.58
THE36B42S	TMLV120C20MP12C	21.0	XAF/XAUC48F	1225	35.6	27.4	15.00	12.50	35.6	23.2	9.00	7.35	3.74	2.56
THE36B42S	TMLV120C20MP12C	21.0	XAFC36D	1225	35.6	26.5	15.00	12.50	35.6	23.4	8.55	6.95	3.58	2.42
THE36B42S	TMLV120C20MP12C	24.5	XAFD48F	1225	35.6	27.4	15.00	12.50	35.6	23.2	9.00	7.35	3.76	2.56
THE36B42S	TMLV120C20MP12C	21.0	XAHC36D	1225	35.6	27.0	14.50	12.00	35.0	22.8	8.20	6.60	3.46	2.36
THE36B42S	TMLV120C20MP12C	21.0	XAHC48F	1225	35.2	26.4	14.50	12.00	34.4	22.8	9.00	7.45	3.66	2.60
THE36B42S	TMLV120C20MP12C	24.5	XAHD48F	1150	35.0	25.8	14.50	12.50	34.2	22.8	9.00	7.45	3.64	2.60
THE36B42S	TMLX080B12MP11	17.5	CF/CM/CU48C	1000	36.0	25.8	15.25	13.00	35.0	22.8	8.75	7.55	3.58	2.54
THE36B42S	TMLX080C16MP11	21.0	CF/CM/CU48C	950	36.0	25.2	15.50	13.00	35.2	22.8	8.75	7.80	3.52	2.52
THE36B42S	TMLX080C16MP11	21.0	CF/CM/CU48D	975	36.0	25.4	15.75	13.00	35.0	22.6	8.75	7.90	3.58	2.56
THE36B42S	TMLX100C16MP11	21.0	CF/CM/CU48C	950	36.0	25.2	15.50	13.00	35.2	22.8	8.75	7.80	3.52	2.52
THE36B42S	TMLX100C16MP11	21.0	CF/CM/CU48D	975	36.0	25.4	15.75	13.00	35.0	22.6	8.75	7.90	3.58	2.56
THE36B42S	TMLX100C20MP11	21.0	CF/CM/CU48C	1000	36.0	25.6	15.75	13.00	35.0	22.6	8.75	7.90	3.62	2.56
THE36B42S	TMLX100C20MP11	21.0	CF/CM/CU48D	1000	36.0	25.6	15.75	13.00	35.0	22.6	8.75	7.90	3.62	2.56
THE36B42S	TMLX120C20MP11	21.0	CF/CM/CU48C	1000	36.0	25.6	15.75	13.00	35.0	22.6	8.75	7.90	3.62	2.56
THE36B42S	TMLX120C20MP11	21.0	CF/CM/CU48D	1000	36.0	25.6	15.75	13.00	35.0	22.6	8.75	7.90	3.62	2.56
THE36B42S	TP9C060B12MP13C	17.5	CF/CM/CU48C	1000	36.0	25.6	14.75	12.50	35.2	23.0	8.50	7.35	3.52	2.50

SYSTEM CAPACITY - With High Efficiency Motor Furnaces¹ (Continued)

UNIT MODEL	FURNACE		COIL MODEL ²	COOLING					HEATING					
	MODEL	WIDTH		RATED CFM	NET MBH		SEER	EER	NET MBH		HSPF Region IV	HSPF Region V	COP	
					TOTAL	SENS.			47°F OD	17°F OD			47°F OD	17°F OD
THE36B42S	TP9C060B12MP13C	17.5	XAF/XAUB36D	1000	34.6	24.4	14.00	12.00	35.6	23.6	8.20	6.75	3.38	2.32
THE36B42S	TP9C060B12MP13C	21.0	XAF/XAUC48F	1000	34.8	24.5	14.00	12.00	35.4	23.2	8.55	6.95	3.54	2.46
THE36B42S	TP9C060B12MP13C	21.0	XAFC36D	1000	34.6	24.4	14.00	12.00	35.6	23.4	8.20	6.75	3.38	2.34
THE36B42S	TP9C080B12MP13C	17.5	CF/CM/CU48C	1050	36.0	26.2	15.25	12.75	35.2	22.8	8.75	7.55	3.60	2.52
THE36B42S	TP9C080B12MP13C	17.5	XAF/XAUB36D	1100	34.8	25.2	14.00	12.00	35.6	23.6	8.20	6.50	3.44	2.36
THE36B42S	TP9C080B12MP13C	21.0	XAF/XAUC48F	1075	35.0	25.4	14.50	12.00	35.6	23.2	8.55	6.95	3.60	2.50
THE36B42S	TP9C080B12MP13C	21.0	XAFC36D	1100	34.8	25.2	14.50	12.00	35.6	23.4	8.20	6.55	3.46	2.36
THE36B42S	TP9C080B12MP13C	21.0	XAHC48F	1075	34.6	24.7	14.00	12.00	34.0	23.2	8.20	6.70	3.52	2.56
THE36B42S	TP9C080C16MP13C	21.0	CF/CM/CU48C	1025	36.0	26.0	15.25	13.00	35.0	22.8	8.75	7.85	3.58	2.54
THE36B42S	TP9C080C16MP13C	21.0	CF/CM/CU48D	950	36.0	25.2	15.50	13.00	35.2	22.8	8.50	7.80	3.52	2.52
THE36B42S	TP9C080C16MP13C	21.0	XAF/XAUC48F	1125	35.4	26.1	14.50	12.00	35.6	23.2	8.55	6.90	3.64	2.52
THE36B42S	TP9C080C16MP13C	21.0	XAFC36D	1125	35.0	25.5	14.50	12.00	35.6	23.4	8.20	6.45	3.48	2.38
THE36B42S	TP9C080C16MP13C	24.5	XAFD48F	1225	35.6	27.2	14.50	12.00	35.6	23.4	8.55	6.75	3.68	2.52
THE36B42S	TP9C080C16MP13C	21.0	XAHC36D	1225	35.2	26.6	14.00	11.50	35.0	23.0	8.20	6.75	3.38	2.32
THE36B42S	TP9C080C16MP13C	21.0	XAHC48F	1125	34.8	25.2	14.00	12.00	34.0	23.0	8.20	6.70	3.56	2.56
THE36B42S	TP9C080C16MP13C	24.5	XAHD48F	1225	35.0	26.2	14.00	12.00	34.6	23.0	8.20	6.50	3.62	2.56
THE36B42S	TP9C100C16MP13C	21.0	CF/CM/CU48C	1050	36.0	26.2	15.50	13.00	35.0	22.6	8.75	7.90	3.64	2.54
THE36B42S	TP9C100C16MP13C	21.0	CF/CM/CU48D	975	36.0	25.4	15.50	13.00	35.0	22.6	8.75	7.90	3.58	2.56
THE36B42S	TP9C100C16MP13C	21.0	XAF/XAUC48F	1100	35.4	26.0	15.00	12.50	35.6	23.0	8.55	6.85	3.66	2.54
THE36B42S	TP9C100C16MP13C	21.0	XAFC36D	1100	35.0	25.4	15.00	12.50	35.6	23.2	8.55	7.05	3.50	2.40
THE36B42S	TP9C100C16MP13C	24.5	XAFD48F	1175	35.6	26.9	15.00	12.50	35.6	23.2	9.00	7.40	3.72	2.54
THE36B42S	TP9C100C16MP13C	21.0	XAHC36D	1100	34.8	25.5	14.50	12.00	34.4	22.6	8.20	6.80	3.36	2.34
THE36B42S	TP9C100C16MP13C	21.0	XAHC48F	1100	34.8	25.3	14.50	12.00	34.0	23.0	8.55	6.90	3.58	2.58
THE36B42S	TP9C100C16MP13C	24.5	XAHD48F	1175	35.0	25.9	14.50	12.00	34.4	22.8	9.00	7.55	3.64	2.60
THE36B42S	TP9C100C20MP13C	21.0	CF/CM/CU48C	1100	36.0	26.6	15.50	13.00	35.2	22.8	8.75	7.95	3.66	2.56
THE36B42S	TP9C100C20MP13C	21.0	CF/CM/CU48D	1100	36.0	26.6	15.50	13.00	35.2	22.6	8.75	7.95	3.66	2.56
THE36B42S	TP9C100C20MP13C	21.0	XAF/XAUC48F	1100	35.4	26.0	14.50	12.50	35.6	23.2	8.55	6.85	3.66	2.52
THE36B42S	TP9C100C20MP13C	21.0	XAFC36D	1225	35.4	26.3	14.50	12.00	35.6	23.4	8.55	7.00	3.56	2.40
THE36B42S	TP9C100C20MP13C	24.5	XAFD48F	1100	35.4	26.0	14.50	12.50	35.6	23.0	8.55	6.85	3.66	2.52
THE36B42S	TP9C100C20MP13C	21.0	XAHC36D	1225	35.4	26.8	14.00	12.00	35.0	22.8	8.20	6.70	3.42	2.34
THE36B42S	TP9C100C20MP13C	21.0	XAHC48F	1225	35.0	26.2	14.00	12.00	34.6	23.0	8.20	6.55	3.64	2.58
THE36B42S	TP9C100C20MP13C	24.5	XAHD48F	1100	34.8	25.1	14.50	12.00	34.0	23.0	8.55	6.90	3.58	2.58
THE36B42S	TP9C120D20MP13C	24.5	CF/CM/CU48D	1050	36.0	26.2	15.75	13.00	35.0	22.6	8.75	7.95	3.66	2.56
THE36B42S	TP9C120D20MP13C	24.5	XAFD48F	1200	35.6	27.1	15.00	12.50	35.6	23.2	9.00	7.35	3.74	2.56
THE36B42S	TP9C120D20MP13C	24.5	XAHD48F	1200	35.2	26.3	14.50	12.00	34.4	22.8	9.00	7.45	3.66	2.60
THE36B42S	TP9C120D20MP13C	17.5	XAF/XAUB36D	1075	34.8	25.1	14.50	12.00	35.6	23.4	8.20	6.60	3.44	2.36
THE36B42S	TP9C120D20MP13C	14.5	XAFA30D	1075	34.8	24.9	14.00	12.00	35.6	23.6	8.20	6.65	3.40	2.34

SYSTEM CAPACITY - With High Efficiency Motor Furnaces¹ (Continued)

UNIT MODEL	FURNACE		COIL MODEL ²	COOLING					HEATING					
	MODEL	WIDTH		RATED CFM	NET MBH		SEER	EER	NET MBH		HSPF Region IV	HSPF Region V	COP	
					TOTAL	SENS.			47°F OD	17°F OD			47°F OD	17°F OD
THE36B42S	TPLC080B12MP13C	17.5	CF/CM/CU48C	1000	36.0	25.6	14.75	12.50	35.2	23.0	8.50	7.35	3.52	2.50
THE36B42S	TPLC080B12MP13C	17.5	XAF/XAUB36D	1000	34.6	24.4	14.00	12.00	35.6	23.6	8.20	6.75	3.36	2.32
THE36B42S	TPLC080B12MP13C	21.0	XAF/XAUC48F	1000	34.8	24.5	14.00	12.00	35.4	23.2	8.55	6.90	3.52	2.46
THE36B42S	TPLC080B12MP13C	21.0	XAFC36D	1000	34.6	24.4	14.00	12.00	35.6	23.6	8.20	6.75	3.38	2.32
THE36B42S	TPLC080C16MP13C	21.0	CF/CM/CU48C	1050	36.0	26.2	15.50	13.00	35.2	22.6	8.75	7.90	3.64	2.54
THE36B42S	TPLC080C16MP13C	21.0	CF/CM/CU48D	950	36.0	25.2	15.50	13.00	35.2	22.8	8.75	7.80	3.52	2.52
THE36B42S	TPLC080C16MP13C	21.0	XAF/XAUC48F	1050	35.2	25.4	15.00	12.50	35.6	23.0	8.55	6.90	3.64	2.52
THE36B42S	TPLC080C16MP13C	21.0	XAFC36D	1275	35.6	26.7	14.50	12.00	35.6	23.6	8.55	6.90	3.58	2.40
THE36B42S	TPLC080C16MP13C	24.5	XAFD48F	1050	35.2	25.4	15.00	12.50	35.6	23.0	8.55	6.90	3.64	2.52
THE36B42S	TPLC080C16MP13C	21.0	XAHC36D	1200	35.2	26.5	14.00	12.00	35.0	22.8	8.20	6.65	3.40	2.34
THE36B42S	TPLC080C16MP13C	21.0	XAHC48F	1050	34.6	24.5	14.50	12.00	34.0	23.0	8.55	7.00	3.54	2.58
THE36B42S	TPLC080C16MP13C	24.5	XAHD48F	1150	35.0	25.8	14.50	12.00	34.4	23.0	8.55	6.90	3.60	2.58
THE36B42S	TPLC100C16MP13C	21.0	CF/CM/CU48C	1050	36.0	26.2	15.50	13.00	35.2	22.6	8.75	7.90	3.64	2.54
THE36B42S	TPLC100C16MP13C	21.0	CF/CM/CU48D	950	36.0	25.2	15.50	13.00	35.2	22.8	8.75	7.80	3.52	2.52
THE36B42S	TPLC100C16MP13C	21.0	XAF/XAUC48F	1050	35.2	25.4	15.00	12.50	35.6	23.0	8.55	6.90	3.64	2.52
THE36B42S	TPLC100C16MP13C	21.0	XAFC36D	1275	35.6	26.7	14.50	12.00	35.6	23.6	8.55	6.90	3.58	2.40
THE36B42S	TPLC100C16MP13C	24.5	XAFD48F	1050	35.2	25.4	15.00	12.50	35.6	23.0	8.55	6.90	3.64	2.52
THE36B42S	TPLC100C16MP13C	21.0	XAHC36D	1200	35.2	26.5	14.00	12.00	35.0	22.8	8.20	6.65	3.40	2.34
THE36B42S	TPLC100C16MP13C	21.0	XAHC48F	1050	34.6	24.5	14.50	12.00	34.0	23.0	8.55	7.00	3.54	2.58
THE36B42S	TPLC100C16MP13C	24.5	XAHD48F	1150	35.0	25.8	14.50	12.00	34.4	23.0	8.55	6.90	3.60	2.58
THE36B42S	TPLC100C20MP13C	21.0	CF/CM/CU48C	1150	36.0	27.2	15.75	13.00	35.0	22.6	9.00	8.00	3.70	2.58
THE36B42S	TPLC100C20MP13C	21.0	CF/CM/CU48D	1150	36.0	27.2	15.75	13.00	35.0	22.6	9.00	8.00	3.70	2.58
THE36B42S	TPLC100C20MP13C	21.0	XAF/XAUC48F	1225	35.6	27.4	15.00	12.50	35.6	23.2	9.00	7.35	3.74	2.56
THE36B42S	TPLC100C20MP13C	21.0	XAFC36D	1225	35.6	26.5	15.00	12.50	35.6	23.4	8.55	6.95	3.58	2.42
THE36B42S	TPLC100C20MP13C	24.5	XAFD48F	1225	35.6	27.4	15.00	12.50	35.6	23.2	9.00	7.35	3.76	2.56
THE36B42S	TPLC100C20MP13C	21.0	XAHC36D	1225	35.6	27.0	14.50	12.00	35.0	22.8	8.20	6.60	3.46	2.36
THE36B42S	TPLC100C20MP13C	21.0	XAHC48F	1225	35.2	26.4	14.50	12.00	34.4	22.8	9.00	7.45	3.66	2.60
THE36B42S	TPLC100C20MP13C	24.5	XAHD48F	1150	35.0	25.8	14.50	12.50	34.2	22.8	9.00	7.45	3.64	2.60
THE36B42S	TPLC120C20MP13C	21.0	CF/CM/CU48C	1150	36.0	27.2	15.75	13.00	35.0	22.6	9.00	8.00	3.70	2.58
THE36B42S	TPLC120C20MP13C	21.0	CF/CM/CU48D	1150	36.0	27.2	15.75	13.00	35.0	22.6	9.00	8.00	3.70	2.58
THE36B42S	TPLC120C20MP13C	21.0	XAF/XAUC48F	1225	35.6	27.4	15.00	12.50	35.6	23.2	9.00	7.35	3.74	2.56
THE36B42S	TPLC120C20MP13C	21.0	XAFC36D	1225	35.6	26.5	15.00	12.50	35.6	23.4	8.55	6.95	3.58	2.42
THE36B42S	TPLC120C20MP13C	24.5	XAFD48F	1225	35.6	27.4	15.00	12.50	35.6	23.2	9.00	7.35	3.76	2.56
THE36B42S	TPLC120C20MP13C	21.0	XAHC36D	1225	35.6	27.0	14.50	12.00	35.0	22.8	8.20	6.60	3.46	2.36
THE36B42S	TPLC120C20MP13C	21.0	XAHC48F	1225	35.2	26.4	14.50	12.00	34.4	22.8	9.00	7.45	3.66	2.60
THE36B42S	TPLC120C20MP13C	24.5	XAHD48F	1150	35.0	25.8	14.50	12.50	34.2	22.8	9.00	7.45	3.64	2.60
THE36B42S	YP9C060B12MP13C	17.5	CF/CM/CU48C	1000	36.0	25.6	14.75	12.50	35.2	23.0	8.50	7.35	3.52	2.50

SYSTEM CAPACITY - With High Efficiency Motor Furnaces¹ (Continued)

UNIT MODEL	FURNACE		COIL MODEL ²	COOLING					HEATING					
	MODEL	WIDTH		RATED CFM	NET MBH		SEER	EER	NET MBH		HSPF Region IV	HSPF Region V	COP	
					TOTAL	SENS.			47°F OD	17°F OD			47°F OD	17°F OD
THE36B42S	YP9C060B12MP13C	17.5	XAF/XAUB36D	1000	34.6	24.4	14.00	12.00	35.6	23.6	8.20	6.75	3.38	2.32
THE36B42S	YP9C060B12MP13C	21.0	XAF/XAUC48F	1000	34.8	24.5	14.00	12.00	35.4	23.2	8.55	6.95	3.54	2.46
THE36B42S	YP9C060B12MP13C	21.0	XAFC36D	1000	34.6	24.4	14.00	12.00	35.6	23.4	8.20	6.75	3.38	2.34
THE36B42S	YP9C080B12MP13C	17.5	CF/CM/CU48C	1050	36.0	26.2	15.25	12.75	35.2	22.8	8.75	7.55	3.60	2.52
THE36B42S	YP9C080B12MP13C	17.5	XAF/XAUB36D	1100	34.8	25.2	14.00	12.00	35.6	23.6	8.20	6.50	3.44	2.36
THE36B42S	YP9C080B12MP13C	21.0	XAF/XAUC48F	1075	35.0	25.4	14.50	12.00	35.6	23.2	8.55	6.95	3.60	2.50
THE36B42S	YP9C080B12MP13C	21.0	XAFC36D	1100	34.8	25.2	14.50	12.00	35.6	23.4	8.20	6.55	3.46	2.36
THE36B42S	YP9C080B12MP13C	21.0	XAHC48F	1075	34.6	24.7	14.00	12.00	34.0	23.2	8.20	6.70	3.52	2.56
THE36B42S	YP9C080C16MP13C	21.0	CF/CM/CU48C	1025	36.0	26.0	15.25	13.00	35.0	22.8	8.75	7.85	3.58	2.54
THE36B42S	YP9C080C16MP13C	21.0	CF/CM/CU48D	950	36.0	25.2	15.50	13.00	35.2	22.8	8.50	7.80	3.52	2.52
THE36B42S	YP9C080C16MP13C	21.0	XAF/XAUC48F	1125	35.4	26.1	14.50	12.00	35.6	23.2	8.55	6.90	3.64	2.52
THE36B42S	YP9C080C16MP13C	21.0	XAFC36D	1125	35.0	25.5	14.50	12.00	35.6	23.4	8.20	6.45	3.48	2.38
THE36B42S	YP9C080C16MP13C	24.5	XAFD48F	1225	35.6	27.2	14.50	12.00	35.6	23.4	8.55	6.75	3.68	2.52
THE36B42S	YP9C080C16MP13C	21.0	XAHC36D	1225	35.2	26.6	14.00	11.50	35.0	23.0	8.20	6.75	3.38	2.32
THE36B42S	YP9C080C16MP13C	21.0	XAHC48F	1125	34.8	25.2	14.00	12.00	34.0	23.0	8.20	6.70	3.56	2.56
THE36B42S	YP9C080C16MP13C	24.5	XAHD48F	1225	35.0	26.2	14.00	12.00	34.6	23.0	8.20	6.50	3.62	2.56
THE36B42S	YP9C100C16MP13C	21.0	CF/CM/CU48C	1050	36.0	26.2	15.50	13.00	35.0	22.6	8.75	7.90	3.64	2.54
THE36B42S	YP9C100C16MP13C	21.0	CF/CM/CU48D	975	36.0	25.4	15.50	13.00	35.0	22.6	8.75	7.90	3.58	2.56
THE36B42S	YP9C100C16MP13C	21.0	XAF/XAUC48F	1100	35.4	26.0	15.00	12.50	35.6	23.0	8.55	6.85	3.66	2.54
THE36B42S	YP9C100C16MP13C	21.0	XAFC36D	1100	35.0	25.4	15.00	12.50	35.6	23.2	8.55	7.05	3.50	2.40
THE36B42S	YP9C100C16MP13C	24.5	XAFD48F	1175	35.6	26.9	15.00	12.50	35.6	23.2	9.00	7.40	3.72	2.54
THE36B42S	YP9C100C16MP13C	21.0	XAHC36D	1100	34.8	25.5	14.50	12.00	34.4	22.6	8.20	6.80	3.36	2.34
THE36B42S	YP9C100C16MP13C	21.0	XAHC48F	1100	34.8	25.3	14.50	12.00	34.0	23.0	8.55	6.90	3.58	2.58
THE36B42S	YP9C100C16MP13C	24.5	XAHD48F	1175	35.0	25.9	14.50	12.00	34.4	22.8	9.00	7.55	3.64	2.60
THE36B42S	YP9C100C20MP13C	21.0	CF/CM/CU48C	1100	36.0	26.6	15.50	13.00	35.2	22.8	8.75	7.95	3.66	2.56
THE36B42S	YP9C100C20MP13C	21.0	CF/CM/CU48D	1100	36.0	26.6	15.50	13.00	35.2	22.6	8.75	7.95	3.66	2.56
THE36B42S	YP9C100C20MP13C	21.0	XAF/XAUC48F	1100	35.4	26.0	14.50	12.50	35.6	23.2	8.55	6.85	3.66	2.52
THE36B42S	YP9C100C20MP13C	21.0	XAFC36D	1225	35.4	26.3	14.50	12.00	35.6	23.4	8.55	7.00	3.56	2.40
THE36B42S	YP9C100C20MP13C	24.5	XAFD48F	1100	35.4	26.0	14.50	12.50	35.6	23.0	8.55	6.85	3.66	2.52
THE36B42S	YP9C100C20MP13C	21.0	XAHC36D	1225	35.4	26.8	14.00	12.00	35.0	22.8	8.20	6.70	3.42	2.34
THE36B42S	YP9C100C20MP13C	21.0	XAHC48F	1225	35.0	26.2	14.00	12.00	34.6	23.0	8.20	6.55	3.64	2.58
THE36B42S	YP9C100C20MP13C	24.5	XAHD48F	1100	34.8	25.1	14.50	12.00	34.0	23.0	8.55	6.90	3.58	2.58
THE36B42S	YP9C120D20MP13C	24.5	CF/CM/CU48D	1050	36.0	26.2	15.75	13.00	35.0	22.6	8.75	7.95	3.66	2.56
THE36B42S	YP9C120D20MP13C	24.5	XAFD48F	1200	35.6	27.1	15.00	12.50	35.6	23.2	9.00	7.35	3.74	2.56
THE36B42S	YP9C120D20MP13C	24.5	XAHD48F	1200	35.2	26.3	14.50	12.00	34.4	22.8	9.00	7.45	3.66	2.60
THE36B42S	YPLC060A12MP13C	17.5	XAF/XAUB36D	1075	34.8	25.1	14.50	12.00	35.6	23.4	8.20	6.60	3.44	2.36
THE36B42S	YPLC060A12MP13C	14.5	XAFA30D	1075	34.8	24.9	14.00	12.00	35.6	23.6	8.20	6.65	3.40	2.34

SYSTEM CAPACITY - With High Efficiency Motor Furnaces¹ (Continued)

UNIT MODEL	FURNACE		COIL MODEL ²	COOLING					HEATING					
	MODEL	WIDTH		RATED CFM	NET MBH		SEER	EER	NET MBH		HSPF Region IV	HSPF Region V	COP	
					TOTAL	SENS.			47°F OD	17°F OD			47°F OD	17°F OD
THE36B42S	YPLC080B12MP13C	17.5	CF/CM/CU48C	1000	36.0	25.6	14.75	12.50	35.2	23.0	8.50	7.35	3.52	2.50
THE36B42S	YPLC080B12MP13C	17.5	XAF/XAUB36D	1000	34.6	24.4	14.00	12.00	35.6	23.6	8.20	6.75	3.36	2.32
THE36B42S	YPLC080B12MP13C	21.0	XAF/XAUC48F	1000	34.8	24.5	14.00	12.00	35.4	23.2	8.55	6.90	3.52	2.46
THE36B42S	YPLC080B12MP13C	21.0	XAFC36D	1000	34.6	24.4	14.00	12.00	35.6	23.6	8.20	6.75	3.38	2.32
THE36B42S	YPLC080C16MP13C	21.0	CF/CM/CU48C	1050	36.0	26.2	15.50	13.00	35.2	22.6	8.75	7.90	3.64	2.54
THE36B42S	YPLC080C16MP13C	21.0	CF/CM/CU48D	950	36.0	25.2	15.50	13.00	35.2	22.8	8.75	7.80	3.52	2.52
THE36B42S	YPLC080C16MP13C	21.0	XAF/XAUC48F	1050	35.2	25.4	15.00	12.50	35.6	23.0	8.55	6.90	3.64	2.52
THE36B42S	YPLC080C16MP13C	21.0	XAFC36D	1275	35.6	26.7	14.50	12.00	35.6	23.6	8.55	6.90	3.58	2.40
THE36B42S	YPLC080C16MP13C	24.5	XAFD48F	1050	35.2	25.4	15.00	12.50	35.6	23.0	8.55	6.90	3.64	2.52
THE36B42S	YPLC080C16MP13C	21.0	XAHC36D	1200	35.2	26.5	14.00	12.00	35.0	22.8	8.20	6.65	3.40	2.34
THE36B42S	YPLC080C16MP13C	21.0	XAHC48F	1050	34.6	24.5	14.50	12.00	34.0	23.0	8.55	7.00	3.54	2.58
THE36B42S	YPLC080C16MP13C	24.5	XAHD48F	1150	35.0	25.8	14.50	12.00	34.4	23.0	8.55	6.90	3.60	2.58
THE36B42S	YPLC100C16MP13C	21.0	CF/CM/CU48C	1050	36.0	26.2	15.50	13.00	35.2	22.6	8.75	7.90	3.64	2.54
THE36B42S	YPLC100C16MP13C	21.0	CF/CM/CU48D	950	36.0	25.2	15.50	13.00	35.2	22.8	8.75	7.80	3.52	2.52
THE36B42S	YPLC100C16MP13C	21.0	XAF/XAUC48F	1050	35.2	25.4	15.00	12.50	35.6	23.0	8.55	6.90	3.64	2.52
THE36B42S	YPLC100C16MP13C	21.0	XAFC36D	1275	35.6	26.7	14.50	12.00	35.6	23.6	8.55	6.90	3.58	2.40
THE36B42S	YPLC100C16MP13C	24.5	XAFD48F	1050	35.2	25.4	15.00	12.50	35.6	23.0	8.55	6.90	3.64	2.52
THE36B42S	YPLC100C16MP13C	21.0	XAHC36D	1200	35.2	26.5	14.00	12.00	35.0	22.8	8.20	6.65	3.40	2.34
THE36B42S	YPLC100C16MP13C	21.0	XAHC48F	1050	34.6	24.5	14.50	12.00	34.0	23.0	8.55	7.00	3.54	2.58
THE36B42S	YPLC100C16MP13C	24.5	XAHD48F	1150	35.0	25.8	14.50	12.00	34.4	23.0	8.55	6.90	3.60	2.58
THE36B42S	YPLC100C20MP13C	21.0	CF/CM/CU48C	1150	36.0	27.2	15.75	13.00	35.0	22.6	9.00	8.00	3.70	2.58
THE36B42S	YPLC100C20MP13C	21.0	CF/CM/CU48D	1150	36.0	27.2	15.75	13.00	35.0	22.6	9.00	8.00	3.70	2.58
THE36B42S	YPLC100C20MP13C	21.0	XAF/XAUC48F	1225	35.6	27.4	15.00	12.50	35.6	23.2	9.00	7.35	3.74	2.56
THE36B42S	YPLC100C20MP13C	21.0	XAFC36D	1225	35.6	26.5	15.00	12.50	35.6	23.4	8.55	6.95	3.58	2.42
THE36B42S	YPLC100C20MP13C	24.5	XAFD48F	1225	35.6	27.4	15.00	12.50	35.6	23.2	9.00	7.35	3.76	2.56
THE36B42S	YPLC100C20MP13C	21.0	XAHC36D	1225	35.6	27.0	14.50	12.00	35.0	22.8	8.20	6.60	3.46	2.36
THE36B42S	YPLC100C20MP13C	21.0	XAHC48F	1225	35.2	26.4	14.50	12.00	34.4	22.8	9.00	7.45	3.66	2.60
THE36B42S	YPLC100C20MP13C	24.5	XAHD48F	1150	35.0	25.8	14.50	12.50	34.2	22.8	9.00	7.45	3.64	2.60
THE36B42S	YPLC120C20MP13C	21.0	CF/CM/CU48C	1150	36.0	27.2	15.75	13.00	35.0	22.6	9.00	8.00	3.70	2.58
THE36B42S	YPLC120C20MP13C	21.0	CF/CM/CU48D	1150	36.0	27.2	15.75	13.00	35.0	22.6	9.00	8.00	3.70	2.58
THE36B42S	YPLC120C20MP13C	21.0	XAF/XAUC48F	1225	35.6	27.4	15.00	12.50	35.6	23.2	9.00	7.35	3.74	2.56
THE36B42S	YPLC120C20MP13C	21.0	XAFC36D	1225	35.6	26.5	15.00	12.50	35.6	23.4	8.55	6.95	3.58	2.42
THE36B42S	YPLC120C20MP13C	24.5	XAFD48F	1225	35.6	27.4	15.00	12.50	35.6	23.2	9.00	7.35	3.76	2.56
THE36B42S	YPLC120C20MP13C	21.0	XAHC36D	1225	35.6	27.0	14.50	12.00	35.0	22.8	8.20	6.60	3.46	2.36
THE36B42S	YPLC120C20MP13C	21.0	XAHC48F	1225	35.2	26.4	14.50	12.00	34.4	22.8	9.00	7.45	3.66	2.60
THE36B42S	YPLC120C20MP13C	24.5	XAHD48F	1150	35.0	25.8	14.50	12.50	34.2	22.8	9.00	7.45	3.64	2.60
THE42B33S	TL8E080C16UH11	21.0	XAF/XAUC48F	1375	39.0	29.3	14.00	11.50	39.5	25.4	8.20	6.55	3.66	2.48

SYSTEM CAPACITY - With High Efficiency Motor Furnaces¹ (Continued)

UNIT MODEL	FURNACE		COIL MODEL ²	COOLING					HEATING					
	MODEL	WIDTH		RATED CFM	NET MBH		SEER	EER	NET MBH		HSPF Region IV	HSPF Region V	COP	
					TOTAL	SENS.			47°F OD	17°F OD			47°F OD	17°F OD
THE42B33S	TL8E080C16UH11	24.5	XAF/XAUD60G	1275	40.0	28.9	14.00	11.00	40.5	25.6	8.20	6.75	3.56	2.46
THE42B33S	TL8E080C16UH11	24.5	XAFD48F	1400	39.5	29.9	14.00	11.50	39.5	25.4	8.20	6.45	3.68	2.48
THE42B33S	TL8E080C16UH11	24.5	XAHD48F	1250	38.0	27.4	14.00	11.50	37.6	24.4	8.20	6.85	3.48	2.44
THE42B33S	TL8E100C20UH11	21.0	XAF/XAUC48F	1225	39.0	28.4	14.50	12.00	38.5	24.8	8.20	6.50	3.68	2.50
THE42B33S	TL8E100C20UH11	24.5	XAF/XAUD60G	1425	40.5	30.1	14.00	11.50	40.5	25.6	8.20	6.55	3.64	2.48
THE42B33S	TL8E100C20UH11	24.5	XAFD48F	1250	39.0	28.6	15.00	12.00	38.5	24.8	8.55	7.05	3.70	2.50
THE42B33S	TL8E100C20UH11	21.0	XAHC48F	1375	38.5	28.6	14.00	11.50	37.6	24.6	8.20	6.80	3.56	2.46
THE42B33S	TL8E100C20UH11	24.5	XAHD48F	1400	38.5	28.8	14.00	11.50	37.6	24.6	8.20	6.70	3.58	2.46
THE42B33S	TL9E080C16UH11	21.0	XAF/XAUC48F	1400	39.0	29.4	14.00	11.50	39.5	25.6	8.20	6.60	3.64	2.46
THE42B33S	TL9E080C16UH11	24.5	XAFD48F	1400	39.0	29.4	14.00	11.50	39.5	25.6	8.20	6.60	3.64	2.46
THE42B33S	TL9E100C20UH11	21.0	XAF/XAUC48F	1175	39.0	28.1	14.50	12.00	38.5	24.8	8.20	6.55	3.64	2.48
THE42B33S	TL9E100C20UH11	24.5	XAF/XAUD60G	1200	39.5	28.0	14.00	11.50	40.0	25.4	8.20	6.75	3.54	2.46
THE42B33S	TL9E100C20UH11	24.5	XAFD48F	1200	39.0	28.3	14.50	12.00	38.5	24.8	8.20	6.45	3.66	2.50
THE42B33S	TL9E100C20UH11	21.0	XAHC48F	1375	38.5	28.6	14.00	11.50	37.6	24.6	8.20	6.75	3.54	2.44
THE42B33S	TL9E100C20UH11	24.5	XAHD48F	1400	38.5	28.8	14.00	11.50	37.6	24.6	8.20	6.70	3.56	2.46
THE42B33S	TM8E080C16MP11	21.0	XAF/XAUC48F	1250	39.0	28.6	14.00	11.50	39.0	25.0	8.20	6.55	3.64	2.48
THE42B33S	TM8E080C16MP11	24.5	XAF/XAUD60G	1275	40.0	28.9	14.00	11.00	40.0	25.6	8.20	6.75	3.56	2.46
THE42B33S	TM8E080C16MP11	24.5	XAFD48F	1275	39.0	28.7	14.00	11.50	39.0	25.0	8.20	6.45	3.66	2.48
THE42B33S	TM8E080C16MP11	24.5	XAHD48F	1250	38.0	27.4	14.00	11.50	37.6	24.4	8.20	6.85	3.50	2.44
THE42B33S	TM8E080C20MP11	21.0	XAF/XAUC48F	1225	39.0	28.4	14.50	12.00	38.5	24.8	8.20	6.50	3.68	2.50
THE42B33S	TM8E080C20MP11	24.5	XAF/XAUD60G	1250	40.0	28.8	14.00	11.50	40.0	25.4	8.20	6.65	3.58	2.48
THE42B33S	TM8E080C20MP11	24.5	XAFD48F	1225	39.0	28.4	14.50	12.00	38.5	24.8	8.20	6.50	3.68	2.50
THE42B33S	TM8E080C20MP11	21.0	XAHC48F	1400	38.5	28.8	14.00	11.50	38.0	24.8	8.20	6.75	3.54	2.44
THE42B33S	TM8E080C20MP11	24.5	XAHD48F	1450	39.0	29.6	14.00	11.50	38.0	24.6	8.20	6.60	3.60	2.46
THE42B33S	TM8E100C16MP11	21.0	XAF/XAUC48F	1275	39.0	28.7	14.00	11.50	39.0	25.2	8.20	6.55	3.66	2.48
THE42B33S	TM8E100C16MP11	24.5	XAF/XAUD60G	1300	40.0	29.0	14.00	11.00	40.5	25.6	8.20	6.75	3.56	2.46
THE42B33S	TM8E100C16MP11	24.5	XAFD48F	1300	39.0	28.9	14.00	11.50	39.0	25.2	8.20	6.45	3.68	2.50
THE42B33S	TM8E100C16MP11	24.5	XAHD48F	1275	38.0	27.5	14.00	11.50	37.6	24.6	8.20	6.85	3.50	2.44
THE42B33S	TM8E100C20MP11	21.0	XAF/XAUC48F	1225	39.0	28.4	14.50	12.00	38.5	24.8	8.20	6.50	3.68	2.50
THE42B33S	TM8E100C20MP11	24.5	XAF/XAUD60G	1250	40.0	28.8	14.00	11.50	40.0	25.4	8.20	6.65	3.58	2.48
THE42B33S	TM8E100C20MP11	24.5	XAFD48F	1225	39.0	28.4	14.50	12.00	38.5	24.8	8.20	6.50	3.68	2.50
THE42B33S	TM8E100C20MP11	21.0	XAHC48F	1400	38.5	28.8	14.00	11.50	38.0	24.8	8.20	6.75	3.56	2.46
THE42B33S	TM8E100C20MP11	24.5	XAHD48F	1425	38.5	28.9	14.00	11.50	38.0	24.6	8.20	6.70	3.58	2.46
THE42B33S	TM8E120C16MP11	21.0	XAF/XAUC48F	1275	39.0	28.7	14.00	11.50	39.0	25.0	8.20	6.55	3.66	2.48
THE42B33S	TM8E120C16MP11	24.5	XAF/XAUD60G	1300	40.0	29.0	14.00	11.00	40.5	25.6	8.20	6.75	3.56	2.46
THE42B33S	TM8E120C16MP11	24.5	XAFD48F	1300	39.0	28.9	14.00	11.50	39.0	25.0	8.20	6.45	3.68	2.50
THE42B33S	TM8E120C16MP11	24.5	XAHD48F	1300	38.5	28.2	14.00	11.50	37.6	24.6	8.20	6.75	3.52	2.46

SYSTEM CAPACITY - With High Efficiency Motor Furnaces¹ (Continued)

UNIT MODEL	FURNACE		COIL MODEL ²	COOLING					HEATING					
	MODEL	WIDTH		RATED CFM	NET MBH		SEER	EER	NET MBH		HSPF Region IV	HSPF Region V	COP	
					TOTAL	SENS.			47°F OD	17°F OD			47°F OD	17°F OD
THE42B33S	TM8E120C20MP11	21.0	XAF/XAUC48F	1250	39.0	28.6	14.50	12.00	39.0	25.0	8.20	6.50	3.68	2.50
THE42B33S	TM8E120C20MP11	24.5	XAF/XAUD60G	1450	40.5	30.2	14.00	11.00	40.5	25.8	8.20	6.55	3.64	2.48
THE42B33S	TM8E120C20MP11	24.5	XAFD48F	1275	39.0	28.7	14.50	12.00	39.0	25.0	8.55	7.05	3.70	2.50
THE42B33S	TM8E120C20MP11	21.0	XAHC48F	1225	38.0	27.2	14.00	11.50	37.0	24.4	8.20	6.85	3.50	2.46
THE42B33S	TM8E120C20MP11	24.5	XAHD48F	1500	39.0	29.9	14.00	11.50	38.0	24.8	8.20	6.60	3.60	2.46
THE42B33S	TM8E120C20MP11	21.0	XAHD60G	1275	39.5	28.7	14.00	11.00	39.0	24.8	8.20	6.75	3.54	2.42
THE42B33S	TM8E130D20MP11	24.5	XAF/XAUD60G	1275	40.0	28.9	14.00	11.50	40.0	25.6	8.20	6.70	3.58	2.48
THE42B33S	TM8E130D20MP11	24.5	XAFD48F	1425	39.5	30.1	14.50	12.00	39.0	25.2	8.55	7.00	3.74	2.52
THE42B33S	TM8E130D20MP11	24.5	XAHD48F	1400	38.5	28.8	14.00	11.50	37.6	24.6	8.20	6.70	3.58	2.46
THE42B33S	TM8V080C16MP12C	21.0	CF/CM/CU48C	1150	40.0	29.2	14.75	12.20	40.0	25.4	8.20	7.30	3.32	2.60
THE42B33S	TM8V080C16MP12C	21.0	CF/CM/CU48D	1150	40.0	29.2	15.00	12.20	40.0	25.4	8.20	7.30	3.32	2.62
THE42B33S	TM8V080C16MP12C	21.0	XAF/XAUC48F	1375	39.0	29.3	14.00	11.50	39.5	25.4	8.20	6.45	3.68	2.48
THE42B33S	TM8V080C16MP12C	24.5	XAF/XAUD60G	1200	39.5	28.0	14.00	11.00	40.0	25.6	8.20	6.80	3.54	2.44
THE42B33S	TM8V080C16MP12C	24.5	XAFD48F	1425	39.5	30.1	14.00	11.50	39.5	25.4	8.20	6.50	3.70	2.48
THE42B33S	TM8V080C16MP12C	24.5	XAHD48F	1275	38.0	27.5	14.00	11.50	37.6	24.6	8.20	6.85	3.50	2.44
THE42B33S	TM8V100C16MP12C	21.0	CF/CM/CU48C	1150	40.0	29.2	14.75	12.20	40.0	25.4	8.20	7.30	3.32	2.60
THE42B33S	TM8V100C16MP12C	21.0	CF/CM/CU48D	1150	40.0	29.2	15.00	12.20	40.0	25.4	8.20	7.30	3.32	2.62
THE42B33S	TM8V100C16MP12C	21.0	XAF/XAUC48F	1375	39.0	29.3	14.00	11.50	39.5	25.4	8.20	6.45	3.68	2.48
THE42B33S	TM8V100C16MP12C	24.5	XAF/XAUD60G	1200	39.5	28.0	14.00	11.00	40.0	25.6	8.20	6.80	3.54	2.44
THE42B33S	TM8V100C16MP12C	24.5	XAFD48F	1150	38.5	27.5	14.50	12.00	38.5	24.8	8.20	6.55	3.62	2.48
THE42B33S	TM8V100C16MP12C	24.5	XAHD48F	1275	38.0	27.5	14.00	11.50	37.6	24.6	8.20	6.85	3.50	2.44
THE42B33S	TM8V100C20MP12C	21.0	CF/CM/CU48C	1150	40.0	29.2	15.00	12.25	40.0	25.4	8.20	7.25	3.34	2.62
THE42B33S	TM8V100C20MP12C	21.0	CF/CM/CU48D	1150	40.5	29.6	15.00	12.25	40.0	25.2	8.20	7.30	3.34	2.64
THE42B33S	TM8V100C20MP12C	21.0	XAF/XAUC48F	1300	39.0	28.9	14.50	12.00	39.0	25.0	8.55	7.05	3.70	2.50
THE42B33S	TM8V100C20MP12C	24.5	XAF/XAUD60G	1375	40.0	29.4	14.00	11.50	40.5	25.6	8.20	6.55	3.62	2.48
THE42B33S	TM8V100C20MP12C	24.5	XAFD48F	1400	39.5	29.9	14.50	12.00	39.0	25.2	8.55	7.00	3.74	2.52
THE42B33S	TM8V100C20MP12C	21.0	XAHC48F	1350	38.5	28.5	14.00	11.50	37.6	24.6	8.20	6.75	3.54	2.46
THE42B33S	TM8V100C20MP12C	24.5	XAHD48F	1425	38.5	28.9	14.00	11.50	37.6	24.6	8.20	6.60	3.60	2.48
THE42B33S	TM8V100C20MP12C	21.0	XAHD60G	1325	39.5	29.0	14.00	11.00	39.5	25.0	8.20	6.70	3.58	2.44
THE42B33S	TM8V120C20MP12C	21.0	CF/CM/CU48C	1150	40.0	29.2	15.00	12.25	40.0	25.4	8.20	7.25	3.34	2.62
THE42B33S	TM8V120C20MP12C	21.0	CF/CM/CU48D	1150	40.5	29.6	15.00	12.25	40.0	25.2	8.20	7.30	3.34	2.64
THE42B33S	TM8V120C20MP12C	21.0	XAF/XAUC48F	1300	39.0	28.9	14.50	12.00	39.0	25.0	8.55	7.05	3.70	2.50
THE42B33S	TM8V120C20MP12C	24.5	XAF/XAUD60G	1375	40.0	29.4	14.00	11.50	40.5	25.6	8.20	6.55	3.62	2.48
THE42B33S	TM8V120C20MP12C	24.5	XAFD48F	1325	39.5	29.5	14.50	12.00	39.0	25.0	8.55	7.00	3.72	2.52
THE42B33S	TM8V120C20MP12C	21.0	XAHC48F	1350	38.5	28.5	14.00	11.50	37.6	24.6	8.20	6.75	3.54	2.46
THE42B33S	TM8V120C20MP12C	24.5	XAHD48F	1375	38.5	28.6	14.00	11.50	37.6	24.6	8.20	6.70	3.58	2.48
THE42B33S	TM8V120C20MP12C	21.0	XAHD60G	1325	39.5	29.0	14.00	11.00	39.5	25.0	8.20	6.70	3.58	2.44

SYSTEM CAPACITY - With High Efficiency Motor Furnaces¹ (Continued)

UNIT MODEL	FURNACE		COIL MODEL ²	COOLING					HEATING					
	MODEL	WIDTH		RATED CFM	NET MBH		SEER	EER	NET MBH		HSPF Region IV	HSPF Region V	COP	
					TOTAL	SENS.			47°F OD	17°F OD			47°F OD	17°F OD
THE42B33S	TM8X080C16MP11	21.0	CF/CM/CU48C	1150	40.0	29.2	15.00	12.20	40.0	25.4	8.20	7.30	3.32	2.62
THE42B33S	TM8X080C16MP11	21.0	CF/CM/CU48D	1150	40.0	29.2	15.00	12.20	40.0	25.4	8.20	7.30	3.32	2.62
THE42B33S	TM8X100C16MP11	21.0	CF/CM/CU48C	1150	40.0	29.2	15.00	12.20	40.0	25.4	8.20	7.30	3.32	2.62
THE42B33S	TM8X100C16MP11	21.0	CF/CM/CU48D	1150	40.0	29.2	15.00	12.20	40.0	25.4	8.20	7.30	3.32	2.62
THE42B33S	TM8X100C20MP11	21.0	CF/CM/CU48C	1225	40.5	30.4	15.00	12.25	40.0	25.4	8.20	7.25	3.38	2.62
THE42B33S	TM8X100C20MP11	21.0	CF/CM/CU48D	1250	40.5	30.8	15.25	12.25	40.0	25.2	8.20	7.25	3.40	2.64
THE42B33S	TM8X120C20MP11	21.0	CF/CM/CU48C	1225	40.5	30.4	15.00	12.25	40.0	25.4	8.20	7.25	3.38	2.62
THE42B33S	TM8X120C20MP11	21.0	CF/CM/CU48D	1250	40.5	30.8	15.25	12.25	40.0	25.2	8.20	7.25	3.40	2.64
THE42B33S	TM8Y080C16MP11	21.0	CF/CM/CU48C	1150	40.0	29.2	15.00	12.20	40.0	25.4	8.20	7.30	3.32	2.62
THE42B33S	TM8Y080C16MP11	21.0	CF/CM/CU48D	1150	40.0	29.2	15.00	12.20	40.0	25.4	8.20	7.30	3.32	2.62
THE42B33S	TM8Y080C16MP11	21.0	XAF/XAUC48F	1150	38.5	27.5	14.50	12.00	38.5	24.8	8.20	6.55	3.64	2.48
THE42B33S	TM8Y080C16MP11	24.5	XAF/XAUD60G	1175	39.5	27.9	14.00	11.50	40.0	25.4	8.20	6.85	3.54	2.46
THE42B33S	TM8Y080C16MP11	24.5	XAFD48F	1150	38.5	27.5	14.50	12.00	38.5	24.8	8.20	6.55	3.64	2.48
THE42B33S	TM8Y080C16MP11	24.5	XAHD48F	1375	38.5	28.6	14.00	11.50	37.6	24.6	8.20	6.75	3.54	2.44
THE42B33S	TM8Y100C16MP11	21.0	CF/CM/CU48C	1150	40.0	29.2	15.00	12.20	40.0	25.4	8.20	7.30	3.32	2.62
THE42B33S	TM8Y100C16MP11	21.0	CF/CM/CU48D	1150	40.0	29.2	15.00	12.20	40.0	25.4	8.20	7.30	3.32	2.62
THE42B33S	TM8Y100C16MP11	21.0	XAF/XAUC48F	1150	38.5	27.5	14.50	12.00	38.5	24.8	8.20	6.55	3.64	2.48
THE42B33S	TM8Y100C16MP11	24.5	XAF/XAUD60G	1175	39.5	27.9	14.00	11.50	40.0	25.4	8.20	6.85	3.54	2.46
THE42B33S	TM8Y100C16MP11	24.5	XAFD48F	1150	38.5	27.5	14.50	12.00	38.5	24.8	8.20	6.55	3.64	2.48
THE42B33S	TM8Y100C16MP11	24.5	XAHD48F	1375	38.5	28.6	14.00	11.50	37.6	24.6	8.20	6.75	3.54	2.44
THE42B33S	TM8Y100C20MP11	21.0	CF/CM/CU48C	1225	40.5	30.4	15.00	12.25	40.0	25.4	8.20	7.25	3.38	2.62
THE42B33S	TM8Y100C20MP11	21.0	CF/CM/CU48D	1250	40.5	30.8	15.25	12.25	40.0	25.2	8.20	7.25	3.40	2.64
THE42B33S	TM8Y100C20MP11	21.0	XAF/XAUC48F	1200	39.0	28.3	14.50	12.00	38.5	24.8	8.20	6.45	3.66	2.50
THE42B33S	TM8Y100C20MP11	24.5	XAF/XAUD60G	1400	40.5	30.0	14.00	11.50	40.5	25.6	8.20	6.60	3.62	2.48
THE42B33S	TM8Y100C20MP11	24.5	XAFD48F	1375	39.5	29.8	14.50	12.00	39.0	25.2	8.55	7.05	3.72	2.50
THE42B33S	TM8Y100C20MP11	21.0	XAHC48F	1325	38.5	28.3	14.00	11.50	37.6	24.6	8.20	6.75	3.52	2.44
THE42B33S	TM8Y100C20MP11	24.5	XAHD48F	1375	38.5	28.6	14.00	11.50	37.6	24.6	8.20	6.70	3.56	2.46
THE42B33S	TM8Y100C20MP11	21.0	XAHD60G	1375	39.5	29.2	14.00	11.00	39.5	25.2	8.20	6.70	3.58	2.44
THE42B33S	TM8Y120C20MP11	21.0	CF/CM/CU48C	1225	40.5	30.4	15.00	12.25	40.0	25.4	8.20	7.25	3.38	2.62
THE42B33S	TM8Y120C20MP11	21.0	CF/CM/CU48D	1250	40.5	30.8	15.25	12.25	40.0	25.2	8.20	7.25	3.40	2.64
THE42B33S	TM8Y120C20MP11	21.0	XAF/XAUC48F	1200	39.0	28.3	14.50	12.00	38.5	24.8	8.20	6.45	3.66	2.50
THE42B33S	TM8Y120C20MP11	24.5	XAF/XAUD60G	1400	40.5	30.0	14.00	11.50	40.5	25.6	8.20	6.60	3.62	2.48
THE42B33S	TM8Y120C20MP11	24.5	XAFD48F	1375	39.5	29.8	14.50	12.00	39.0	25.2	8.55	7.05	3.72	2.50
THE42B33S	TM8Y120C20MP11	21.0	XAHC48F	1325	38.5	28.3	14.00	11.50	37.6	24.6	8.20	6.75	3.52	2.44
THE42B33S	TM8Y120C20MP11	24.5	XAHD48F	1375	38.5	28.6	14.00	11.50	37.6	24.6	8.20	6.70	3.56	2.46
THE42B33S	TM8Y120C20MP11	21.0	XAHD60G	1375	39.5	29.2	14.00	11.00	39.5	25.2	8.20	6.70	3.58	2.44
THE42B33S	TM9E080C16MP11	21.0	CF/CM/CU48C	1150	40.0	29.4	14.75	12.20	40.0	25.6	8.20	7.30	3.30	2.60

SYSTEM CAPACITY - With High Efficiency Motor Furnaces¹ (Continued)

UNIT MODEL	FURNACE		COIL MODEL ²	COOLING					HEATING					
	MODEL	WIDTH		RATED CFM	NET MBH		SEER	EER	NET MBH		HSPF Region IV	HSPF Region V	COP	
					TOTAL	SENS.			47°F OD	17°F OD			47°F OD	17°F OD
THE42B33S	TM9E080C16MP11	21.0	CF/CM/CU48D	1150	40.0	29.4	14.75	12.20	40.0	25.6	8.20	7.30	3.30	2.60
THE42B33S	TM9E080C16MP12	21.0	XAF/XAUC48F	1250	39.0	28.6	14.00	11.50	39.0	25.2	8.20	6.60	3.62	2.46
THE42B33S	TM9E080C16MP12	24.5	XAFD48F	1250	39.0	28.6	14.00	11.50	39.0	25.2	8.20	6.60	3.62	2.46
THE42B33S	TM9E080C20MP12	21.0	XAF/XAUC48F	1200	39.0	28.3	14.50	12.00	38.5	24.8	8.20	6.45	3.66	2.50
THE42B33S	TM9E080C20MP12	24.5	XAF/XAUD60G	1225	39.5	28.1	14.00	11.50	40.0	25.4	8.20	6.75	3.56	2.46
THE42B33S	TM9E080C20MP12	24.5	XAFD48F	1225	39.0	28.4	14.50	12.00	38.5	24.8	8.20	6.50	3.68	2.50
THE42B33S	TM9E080C20MP12	21.0	XAHC48F	1375	38.5	28.6	14.00	11.50	37.6	24.6	8.20	6.75	3.54	2.44
THE42B33S	TM9E080C20MP12	24.5	XAHD48F	1400	38.5	28.8	14.00	11.50	37.6	24.6	8.20	6.70	3.56	2.46
THE42B33S	TM9E100C16MP11	21.0	CF/CM/CU48C	1150	40.0	29.4	14.75	12.20	40.0	25.4	8.20	7.30	3.30	2.60
THE42B33S	TM9E100C16MP11	21.0	CF/CM/CU48D	1175	40.0	29.6	14.75	12.20	40.0	25.4	8.20	7.30	3.32	2.62
THE42B33S	TM9E100C16MP12	21.0	XAF/XAUC48F	1250	39.0	28.6	14.00	11.50	39.0	25.2	8.20	6.60	3.62	2.46
THE42B33S	TM9E100C16MP12	24.5	XAFD48F	1250	39.0	28.6	14.00	11.50	39.0	25.2	8.20	6.60	3.64	2.46
THE42B33S	TM9E100C20MP11	21.0	CF/CM/CU48C	1175	40.0	29.6	14.75	12.20	40.0	25.4	8.20	7.30	3.32	2.60
THE42B33S	TM9E100C20MP11	21.0	CF/CM/CU48D	1200	40.5	30.0	15.00	12.20	40.0	25.4	8.20	7.25	3.36	2.62
THE42B33S	TM9E100C20MP12	21.0	XAF/XAUC48F	1175	39.0	28.1	14.50	12.00	38.5	24.8	8.20	6.55	3.64	2.48
THE42B33S	TM9E100C20MP12	24.5	XAF/XAUD60G	1200	39.5	28.0	14.00	11.50	40.0	25.4	8.20	6.75	3.56	2.46
THE42B33S	TM9E100C20MP12	24.5	XAFD48F	1200	39.0	28.3	14.50	12.00	38.5	24.8	8.20	6.45	3.66	2.50
THE42B33S	TM9E100C20MP12	21.0	XAHC48F	1350	38.5	28.5	14.00	11.50	37.6	24.6	8.20	6.75	3.54	2.44
THE42B33S	TM9E100C20MP12	24.5	XAHD48F	1400	38.5	28.8	14.00	11.50	37.6	24.6	8.20	6.70	3.58	2.46
THE42B33S	TM9E120D20MP11	24.5	CF/CM/CU48D	1250	40.5	30.6	15.00	12.20	40.0	25.4	8.20	7.20	3.40	2.64
THE42B33S	TM9E120D20MP12	24.5	XAF/XAUD60G	1225	39.5	28.1	14.00	11.50	40.0	25.6	8.20	6.75	3.56	2.46
THE42B33S	TM9E120D20MP12	24.5	XAFD48F	1225	39.0	28.4	14.50	12.00	38.5	25.0	8.20	6.45	3.66	2.50
THE42B33S	TM9E120D20MP12	24.5	XAHD48F	1425	38.5	28.9	14.00	11.50	38.0	24.8	8.20	6.70	3.56	2.46
THE42B33S	TM9V080C16MP12C	21.0	CF/CM/CU48C	1225	40.5	30.2	14.50	11.75	40.5	25.6	8.20	7.30	3.32	2.58
THE42B33S	TM9V080C16MP12C	21.0	CF/CM/CU48D	1225	40.5	30.2	14.50	11.75	40.0	25.6	8.20	7.25	3.34	2.60
THE42B33S	TM9V080C16MP12C	21.0	XAF/XAUC48F	1300	39.0	28.9	14.00	11.50	39.0	25.2	8.20	6.60	3.64	2.46
THE42B33S	TM9V080C16MP12C	24.5	XAFD48F	1300	39.0	28.9	14.00	11.50	39.0	25.2	8.20	6.55	3.64	2.48
THE42B33S	TM9V100C16MP12C	21.0	CF/CM/CU48C	1175	40.0	29.6	15.00	12.20	40.0	25.4	8.20	7.30	3.34	2.62
THE42B33S	TM9V100C16MP12C	21.0	CF/CM/CU48D	1175	40.0	29.6	15.00	12.20	40.0	25.4	8.20	7.25	3.34	2.62
THE42B33S	TM9V100C16MP12C	21.0	XAF/XAUC48F	1175	38.5	27.6	14.50	12.00	38.5	24.8	8.20	6.55	3.64	2.48
THE42B33S	TM9V100C16MP12C	24.5	XAF/XAUD60G	1325	40.0	29.1	14.00	11.00	40.0	25.6	8.20	6.70	3.60	2.48
THE42B33S	TM9V100C16MP12C	24.5	XAFD48F	1175	38.5	27.6	14.50	12.00	38.5	24.8	8.20	6.55	3.66	2.50
THE42B33S	TM9V100C16MP12C	21.0	XAHC48F	1225	38.0	27.2	14.00	11.50	37.0	24.4	8.20	6.85	3.48	2.44
THE42B33S	TM9V100C16MP12C	24.5	XAHD48F	1325	38.5	28.3	14.00	11.50	37.6	24.6	8.20	6.80	3.54	2.46
THE42B33S	TM9V100C20MP12C	21.0	CF/CM/CU48C	1225	40.5	30.4	14.75	12.20	40.0	25.4	8.20	7.25	3.36	2.62
THE42B33S	TM9V100C20MP12C	21.0	CF/CM/CU48D	1225	40.5	30.4	15.00	12.20	40.0	25.4	8.20	7.30	3.36	2.62
THE42B33S	TM9V100C20MP12C	21.0	XAF/XAUC48F	1350	39.0	29.1	14.00	11.50	39.0	25.2	8.20	6.45	3.68	2.48

SYSTEM CAPACITY - With High Efficiency Motor Furnaces¹ (Continued)

UNIT MODEL	FURNACE		COIL MODEL ²	COOLING					HEATING					
	MODEL	WIDTH		RATED CFM	NET MBH		SEER	EER	NET MBH		HSPF Region IV	HSPF Region V	COP	
					TOTAL	SENS.			47°F OD	17°F OD			47°F OD	17°F OD
THE42B33S	TM9V100C20MP12C	24.5	XAF/XAUD60G	1225	39.5	28.1	14.00	11.00	40.0	25.6	8.20	6.75	3.56	2.46
THE42B33S	TM9V100C20MP12C	24.5	XAFD48F	1350	39.0	29.1	14.00	11.50	39.0	25.2	8.20	6.70	3.70	2.50
THE42B33S	TM9V100C20MP12C	24.5	XAHD48F	1275	38.0	27.5	14.00	11.50	37.6	24.4	8.20	6.85	3.52	2.46
THE42B33S	TM9V120D20MP12C	24.5	CF/CM/CU48D	1200	40.5	30.0	15.00	12.25	40.0	25.4	8.20	7.25	3.38	2.64
THE42B33S	TM9V120D20MP12C	24.5	XAF/XAUD60G	1300	40.0	29.0	14.00	11.50	40.0	25.4	8.20	6.60	3.60	2.48
THE42B33S	TM9V120D20MP12C	24.5	XAFD48F	1300	39.0	28.9	14.50	12.00	39.0	25.0	8.55	7.05	3.72	2.52
THE42B33S	TM9V120D20MP12C	24.5	XAHD48F	1400	38.5	28.8	14.00	11.50	37.6	24.6	8.20	6.65	3.60	2.48
THE42B33S	TM9V120D20MP12C	21.0	XAHD60G	1300	39.5	28.8	14.00	11.00	39.5	24.8	8.20	6.75	3.56	2.42
THE42B33S	TM9Y080C16MP11	21.0	CF/CM/CU48C	1150	40.0	29.4	14.75	12.20	40.0	25.6	8.20	7.30	3.30	2.60
THE42B33S	TM9Y080C16MP11	21.0	CF/CM/CU48D	1150	40.0	29.4	14.75	12.20	40.0	25.6	8.20	7.30	3.30	2.60
THE42B33S	TM9Y080C16MP11	21.0	XAF/XAUC48F	1225	38.5	27.9	14.00	11.50	39.0	25.2	8.20	6.65	3.60	2.46
THE42B33S	TM9Y080C16MP11	24.5	XAFD48F	1250	39.0	28.6	14.00	11.50	39.0	25.2	8.20	6.60	3.62	2.46
THE42B33S	TM9Y100C16MP11	21.0	CF/CM/CU48C	1150	40.0	29.4	14.75	12.20	40.0	25.4	8.20	7.30	3.30	2.60
THE42B33S	TM9Y100C16MP11	21.0	CF/CM/CU48D	1175	40.0	29.6	14.75	12.20	40.0	25.4	8.20	7.30	3.32	2.62
THE42B33S	TM9Y100C16MP11	21.0	XAF/XAUC48F	1250	39.0	28.6	14.00	11.50	39.0	25.2	8.20	6.60	3.62	2.46
THE42B33S	TM9Y100C16MP11	24.5	XAFD48F	1250	39.0	28.6	14.00	11.50	39.0	25.2	8.20	6.60	3.62	2.46
THE42B33S	TM9Y100C20MP11	21.0	CF/CM/CU48C	1175	40.0	29.6	14.75	12.20	40.0	25.4	8.20	7.30	3.32	2.60
THE42B33S	TM9Y100C20MP11	21.0	CF/CM/CU48D	1200	40.5	30.0	15.00	12.20	40.0	25.4	8.20	7.25	3.36	2.62
THE42B33S	TM9Y100C20MP11	21.0	XAF/XAUC48F	1150	38.5	27.5	14.50	12.00	38.5	25.0	8.20	6.60	3.62	2.48
THE42B33S	TM9Y100C20MP11	24.5	XAF/XAUD60G	1175	39.5	27.9	14.00	11.00	40.0	25.6	8.20	6.80	3.52	2.44
THE42B33S	TM9Y100C20MP11	24.5	XAFD48F	1150	38.5	27.5	14.50	12.00	38.5	25.0	8.20	6.60	3.62	2.48
THE42B33S	TM9Y100C20MP11	24.5	XAHD48F	1325	38.5	28.3	14.00	11.50	37.6	24.6	8.20	6.85	3.50	2.44
THE42B33S	TM9Y120D20MP11	24.5	CF/CM/CU48D	1250	40.5	30.6	15.00	12.20	40.0	25.4	8.20	7.20	3.40	2.64
THE42B33S	TM9Y120D20MP11	24.5	XAF/XAUD60G	1225	39.5	28.1	14.00	11.50	40.0	25.4	8.20	6.75	3.56	2.46
THE42B33S	TM9Y120D20MP11	24.5	XAFD48F	1225	39.0	28.4	14.50	12.00	38.5	24.8	8.20	6.50	3.68	2.50
THE42B33S	TM9Y120D20MP11	24.5	XAHD48F	1375	38.5	28.6	14.00	11.50	37.6	24.6	8.20	6.80	3.56	2.46
THE42B33S	TMLE080C16MP11	21.0	XAF/XAUC48F	1250	39.0	28.6	14.00	11.50	39.0	25.0	8.20	6.55	3.64	2.48
THE42B33S	TMLE080C16MP11	24.5	XAF/XAUD60G	1275	40.0	28.9	14.00	11.00	40.0	25.6	8.20	6.75	3.56	2.46
THE42B33S	TMLE080C16MP11	24.5	XAFD48F	1275	39.0	28.7	14.00	11.50	39.0	25.0	8.20	6.45	3.66	2.48
THE42B33S	TMLE080C16MP11	24.5	XAHD48F	1250	38.0	27.4	14.00	11.50	37.6	24.4	8.20	6.85	3.50	2.44
THE42B33S	TMLE080C20MP11	21.0	XAF/XAUC48F	1225	39.0	28.4	14.50	12.00	38.5	24.8	8.20	6.50	3.68	2.50
THE42B33S	TMLE080C20MP11	24.5	XAF/XAUD60G	1250	40.0	28.8	14.00	11.50	40.0	25.4	8.20	6.65	3.58	2.48
THE42B33S	TMLE080C20MP11	24.5	XAFD48F	1225	39.0	28.4	14.50	12.00	38.5	24.8	8.20	6.50	3.68	2.50
THE42B33S	TMLE080C20MP11	21.0	XAHC48F	1400	38.5	28.8	14.00	11.50	38.0	24.8	8.20	6.75	3.54	2.44
THE42B33S	TMLE080C20MP11	24.5	XAHD48F	1450	39.0	29.6	14.00	11.50	38.0	24.6	8.20	6.60	3.60	2.46
THE42B33S	TMLE100C16MP11	21.0	XAF/XAUC48F	1275	39.0	28.7	14.00	11.50	39.0	25.2	8.20	6.55	3.66	2.48
THE42B33S	TMLE100C16MP11	24.5	XAF/XAUD60G	1300	40.0	29.0	14.00	11.00	40.5	25.6	8.20	6.75	3.56	2.46

SYSTEM CAPACITY - With High Efficiency Motor Furnaces¹ (Continued)

UNIT MODEL	FURNACE		COIL MODEL ²	COOLING					HEATING					
	MODEL	WIDTH		RATED CFM	NET MBH		SEER	EER	NET MBH		HSPF Region IV	HSPF Region V	COP	
					TOTAL	SENS.			47°F OD	17°F OD			47°F OD	17°F OD
THE42B33S	TMLE100C16MP11	24.5	XAFD48F	1300	39.0	28.9	14.00	11.50	39.0	25.2	8.20	6.45	3.68	2.50
THE42B33S	TMLE100C16MP11	24.5	XAHD48F	1275	38.0	27.5	14.00	11.50	37.6	24.6	8.20	6.85	3.50	2.44
THE42B33S	TMLE100C20MP11	21.0	XAF/XAUC48F	1225	39.0	28.4	14.50	12.00	38.5	24.8	8.20	6.50	3.68	2.50
THE42B33S	TMLE100C20MP11	24.5	XAF/XAUD60G	1250	40.0	28.8	14.00	11.50	40.0	25.4	8.20	6.65	3.58	2.48
THE42B33S	TMLE100C20MP11	24.5	XAFD48F	1225	39.0	28.4	14.50	12.00	38.5	24.8	8.20	6.50	3.68	2.50
THE42B33S	TMLE100C20MP11	21.0	XAHC48F	1400	38.5	28.8	14.00	11.50	38.0	24.8	8.20	6.75	3.56	2.46
THE42B33S	TMLE100C20MP11	24.5	XAHD48F	1425	38.5	28.9	14.00	11.50	38.0	24.6	8.20	6.70	3.58	2.46
THE42B33S	TMLE120C16MP11	21.0	XAF/XAUC48F	1275	39.0	28.7	14.00	11.50	39.0	25.0	8.20	6.55	3.66	2.48
THE42B33S	TMLE120C16MP11	24.5	XAF/XAUD60G	1300	40.0	29.0	14.00	11.00	40.5	25.6	8.20	6.75	3.56	2.46
THE42B33S	TMLE120C16MP11	24.5	XAFD48F	1300	39.0	28.9	14.00	11.50	39.0	25.0	8.20	6.45	3.68	2.50
THE42B33S	TMLE120C16MP11	24.5	XAHD48F	1300	38.5	28.2	14.00	11.50	37.6	24.6	8.20	6.75	3.52	2.46
THE42B33S	TMLE120C20MP11	21.0	XAF/XAUC48F	1250	39.0	28.6	14.50	12.00	39.0	25.0	8.20	6.50	3.68	2.50
THE42B33S	TMLE120C20MP11	24.5	XAF/XAUD60G	1450	40.5	30.2	14.00	11.00	40.5	25.8	8.20	6.55	3.64	2.48
THE42B33S	TMLE120C20MP11	24.5	XAFD48F	1275	39.0	28.7	14.50	12.00	39.0	25.0	8.55	7.05	3.70	2.50
THE42B33S	TMLE120C20MP11	21.0	XAHC48F	1225	38.0	27.2	14.00	11.50	37.0	24.4	8.20	6.85	3.50	2.46
THE42B33S	TMLE120C20MP11	24.5	XAHD48F	1500	39.0	29.9	14.00	11.50	38.0	24.8	8.20	6.60	3.60	2.46
THE42B33S	TMLE120C20MP11	21.0	XAHD60G	1275	39.5	28.7	14.00	11.00	39.0	24.8	8.20	6.75	3.54	2.42
THE42B33S	TMLE130D20MP11	24.5	XAF/XAUD60G	1275	40.0	28.9	14.00	11.50	40.0	25.6	8.20	6.70	3.58	2.48
THE42B33S	TMLE130D20MP11	24.5	XAFD48F	1425	39.5	30.1	14.50	12.00	39.0	25.2	8.55	7.00	3.74	2.52
THE42B33S	TMLE130D20MP11	24.5	XAHD48F	1400	38.5	28.8	14.00	11.50	37.6	24.6	8.20	6.70	3.58	2.46
THE42B33S	TMLV080C16MP12C	21.0	CF/CM/CU48C	1150	40.0	29.2	14.75	12.20	40.0	25.4	8.20	7.30	3.32	2.60
THE42B33S	TMLV080C16MP12C	21.0	CF/CM/CU48D	1150	40.0	29.2	15.00	12.20	40.0	25.4	8.20	7.30	3.32	2.62
THE42B33S	TMLV100C16MP12C	21.0	CF/CM/CU48C	1150	40.0	29.2	14.75	12.20	40.0	25.4	8.20	7.30	3.32	2.60
THE42B33S	TMLV100C16MP12C	21.0	CF/CM/CU48D	1150	40.0	29.2	15.00	12.20	40.0	25.4	8.20	7.30	3.32	2.62
THE42B33S	TMLV100C16MP12C	21.0	XAF/XAUC48F	1375	39.0	29.3	14.00	11.50	39.5	25.4	8.20	6.45	3.68	2.48
THE42B33S	TMLV100C16MP12C	24.5	XAF/XAUD60G	1200	39.5	28.0	14.00	11.00	40.0	25.6	8.20	6.80	3.54	2.44
THE42B33S	TMLV100C16MP12C	24.5	XAFD48F	1150	38.5	27.5	14.50	12.00	38.5	24.8	8.20	6.55	3.62	2.48
THE42B33S	TMLV100C16MP12C	24.5	XAHD48F	1275	38.0	27.5	14.00	11.50	37.6	24.6	8.20	6.85	3.50	2.44
THE42B33S	TMLV100C20MP12C	21.0	CF/CM/CU48C	1150	40.0	29.2	15.00	12.25	40.0	25.4	8.20	7.25	3.34	2.62
THE42B33S	TMLV100C20MP12C	21.0	CF/CM/CU48D	1150	40.5	29.6	15.00	12.25	40.0	25.2	8.20	7.30	3.34	2.64
THE42B33S	TMLV120C20MP12C	21.0	CF/CM/CU48C	1150	40.0	29.2	15.00	12.25	40.0	25.4	8.20	7.25	3.34	2.62
THE42B33S	TMLV120C20MP12C	21.0	CF/CM/CU48D	1150	40.5	29.6	15.00	12.25	40.0	25.2	8.20	7.30	3.34	2.64
THE42B33S	TMLV120C20MP12C	21.0	XAF/XAUC48F	1300	39.0	28.9	14.50	12.00	39.0	25.0	8.55	7.05	3.70	2.50
THE42B33S	TMLV120C20MP12C	24.5	XAF/XAUD60G	1375	40.0	29.4	14.00	11.50	40.5	25.6	8.20	6.55	3.62	2.48
THE42B33S	TMLV120C20MP12C	24.5	XAFD48F	1325	39.5	29.5	14.50	12.00	39.0	25.0	8.55	7.00	3.72	2.52
THE42B33S	TMLV120C20MP12C	21.0	XAHC48F	1350	38.5	28.5	14.00	11.50	37.6	24.6	8.20	6.75	3.54	2.46
THE42B33S	TMLV120C20MP12C	24.5	XAHD48F	1375	38.5	28.6	14.00	11.50	37.6	24.6	8.20	6.70	3.58	2.48

SYSTEM CAPACITY - With High Efficiency Motor Furnaces¹ (Continued)

UNIT MODEL	FURNACE		COIL MODEL ²	COOLING					HEATING					
	MODEL	WIDTH		RATED CFM	NET MBH		SEER	EER	NET MBH		HSPF Region IV	HSPF Region V	COP	
					TOTAL	SENS.			47°F OD	17°F OD			47°F OD	17°F OD
THE42B33S	TMLV120C20MP12C	21.0	XAHD60G	1325	39.5	29.0	14.00	11.00	39.5	25.0	8.20	6.70	3.58	2.44
THE42B33S	TMLX080C16MP11	21.0	CF/CM/CU48C	1150	40.0	29.2	15.00	12.20	40.0	25.4	8.20	7.30	3.32	2.62
THE42B33S	TMLX080C16MP11	21.0	CF/CM/CU48D	1150	40.0	29.2	15.00	12.20	40.0	25.4	8.20	7.30	3.32	2.62
THE42B33S	TMLX100C16MP11	21.0	CF/CM/CU48C	1150	40.0	29.2	15.00	12.20	40.0	25.4	8.20	7.30	3.32	2.62
THE42B33S	TMLX100C16MP11	21.0	CF/CM/CU48D	1150	40.0	29.2	15.00	12.20	40.0	25.4	8.20	7.30	3.32	2.62
THE42B33S	TMLX100C20MP11	21.0	CF/CM/CU48C	1225	40.5	30.4	15.00	12.25	40.0	25.4	8.20	7.25	3.38	2.62
THE42B33S	TMLX100C20MP11	21.0	CF/CM/CU48D	1250	40.5	30.8	15.25	12.25	40.0	25.2	8.20	7.25	3.40	2.64
THE42B33S	TMLX120C20MP11	21.0	CF/CM/CU48C	1225	40.5	30.4	15.00	12.25	40.0	25.4	8.20	7.25	3.38	2.62
THE42B33S	TMLX120C20MP11	21.0	CF/CM/CU48D	1250	40.5	30.8	15.25	12.25	40.0	25.2	8.20	7.25	3.40	2.64
THE42B33S	TP9C080C16MP13C	21.0	CF/CM/CU48C	1225	40.5	30.2	14.50	11.75	40.5	25.6	8.20	7.30	3.32	2.58
THE42B33S	TP9C080C16MP13C	21.0	CF/CM/CU48D	1225	40.5	30.2	14.50	11.75	40.0	25.6	8.20	7.25	3.34	2.60
THE42B33S	TP9C080C16MP13C	21.0	XAF/XAUC48F	1300	39.0	28.9	14.00	11.50	39.0	25.2	8.20	6.60	3.64	2.46
THE42B33S	TP9C080C16MP13C	24.5	XAFD48F	1300	39.0	28.9	14.00	11.50	39.0	25.2	8.20	6.55	3.64	2.48
THE42B33S	TP9C100C16MP13C	21.0	CF/CM/CU48C	1175	40.0	29.6	15.00	12.20	40.0	25.4	8.20	7.30	3.34	2.62
THE42B33S	TP9C100C16MP13C	21.0	CF/CM/CU48D	1175	40.0	29.6	15.00	12.20	40.0	25.4	8.20	7.25	3.34	2.62
THE42B33S	TP9C100C16MP13C	21.0	XAF/XAUC48F	1175	38.5	27.6	14.50	12.00	38.5	24.8	8.20	6.55	3.64	2.48
THE42B33S	TP9C100C16MP13C	24.5	XAF/XAUD60G	1325	40.0	29.1	14.00	11.00	40.0	25.6	8.20	6.70	3.60	2.48
THE42B33S	TP9C100C16MP13C	24.5	XAFD48F	1175	38.5	27.6	14.50	12.00	38.5	24.8	8.20	6.55	3.66	2.50
THE42B33S	TP9C100C16MP13C	21.0	XAHC48F	1225	38.0	27.2	14.00	11.50	37.0	24.4	8.20	6.85	3.48	2.44
THE42B33S	TP9C100C16MP13C	24.5	XAHD48F	1325	38.5	28.3	14.00	11.50	37.6	24.6	8.20	6.80	3.54	2.46
THE42B33S	TP9C100C20MP13C	21.0	CF/CM/CU48C	1225	40.5	30.4	14.75	12.20	40.0	25.4	8.20	7.25	3.36	2.62
THE42B33S	TP9C100C20MP13C	21.0	CF/CM/CU48D	1225	40.5	30.4	15.00	12.20	40.0	25.4	8.20	7.30	3.36	2.62
THE42B33S	TP9C100C20MP13C	21.0	XAF/XAUC48F	1350	39.0	29.1	14.00	11.50	39.0	25.2	8.20	6.45	3.68	2.48
THE42B33S	TP9C100C20MP13C	24.5	XAF/XAUD60G	1225	39.5	28.1	14.00	11.00	40.0	25.6	8.20	6.75	3.56	2.46
THE42B33S	TP9C100C20MP13C	24.5	XAFD48F	1350	39.0	29.1	14.00	11.50	39.0	25.2	8.20	6.70	3.70	2.50
THE42B33S	TP9C100C20MP13C	24.5	XAHD48F	1275	38.0	27.5	14.00	11.50	37.6	24.4	8.20	6.85	3.52	2.46
THE42B33S	TP9C120D20MP13C	24.5	XAF/XAUD60G	1300	40.0	29.0	14.00	11.50	40.0	25.4	8.20	6.60	3.60	2.48
THE42B33S	TP9C120D20MP13C	24.5	XAFD48F	1300	39.0	28.9	14.50	12.00	39.0	25.0	8.55	7.05	3.72	2.52
THE42B33S	TP9C120D20MP13C	24.5	XAHD48F	1400	38.5	28.8	14.00	11.50	37.6	24.6	8.20	6.65	3.60	2.48
THE42B33S	TP9C120D20MP13C	21.0	XAHD60G	1300	39.5	28.8	14.00	11.00	39.5	24.8	8.20	6.75	3.56	2.42
THE42B33S	TPLC080C16MP13C	21.0	CF/CM/CU48C	1150	40.0	29.2	14.75	12.20	40.0	25.4	8.20	7.30	3.32	2.60
THE42B33S	TPLC080C16MP13C	21.0	CF/CM/CU48D	1150	40.0	29.2	15.00	12.20	40.0	25.4	8.20	7.30	3.32	2.62
THE42B33S	TPLC080C16MP13C	21.0	XAF/XAUC48F	1375	39.0	29.3	14.00	11.50	39.5	25.4	8.20	6.45	3.68	2.48
THE42B33S	TPLC080C16MP13C	24.5	XAF/XAUD60G	1200	39.5	28.0	14.00	11.00	40.0	25.6	8.20	6.80	3.54	2.44
THE42B33S	TPLC080C16MP13C	24.5	XAFD48F	1150	38.5	27.5	14.50	12.00	38.5	24.8	8.20	6.55	3.62	2.48
THE42B33S	TPLC080C16MP13C	24.5	XAHD48F	1275	38.0	27.5	14.00	11.50	37.6	24.6	8.20	6.85	3.50	2.44
THE42B33S	TPLC100C16MP13C	21.0	CF/CM/CU48C	1150	40.0	29.2	14.75	12.20	40.0	25.4	8.20	7.30	3.32	2.60

SYSTEM CAPACITY - With High Efficiency Motor Furnaces¹ (Continued)

UNIT MODEL	FURNACE		COIL MODEL ²	COOLING					HEATING					
	MODEL	WIDTH		RATED CFM	NET MBH		SEER	EER	NET MBH		HSPF Region IV	HSPF Region V	COP	
					TOTAL	SENS.			47°F OD	17°F OD			47°F OD	17°F OD
THE42B33S	TPLC100C16MP13C	21.0	CF/CM/CU48D	1150	40.0	29.2	15.00	12.20	40.0	25.4	8.20	7.30	3.32	2.62
THE42B33S	TPLC100C16MP13C	21.0	XAF/XAUC48F	1375	39.0	29.3	14.00	11.50	39.5	25.4	8.20	6.45	3.68	2.48
THE42B33S	TPLC100C16MP13C	24.5	XAF/XAUD60G	1200	39.5	28.0	14.00	11.00	40.0	25.6	8.20	6.80	3.54	2.44
THE42B33S	TPLC100C16MP13C	24.5	XAFD48F	1150	38.5	27.5	14.50	12.00	38.5	24.8	8.20	6.55	3.62	2.48
THE42B33S	TPLC100C16MP13C	24.5	XAHD48F	1275	38.0	27.5	14.00	11.50	37.6	24.6	8.20	6.85	3.50	2.44
THE42B33S	TPLC100C20MP13C	21.0	CF/CM/CU48C	1150	40.0	29.2	15.00	12.25	40.0	25.4	8.20	7.25	3.34	2.62
THE42B33S	TPLC100C20MP13C	21.0	CF/CM/CU48D	1150	40.5	29.6	15.00	12.25	40.0	25.2	8.20	7.30	3.34	2.64
THE42B33S	TPLC100C20MP13C	21.0	XAF/XAUC48F	1300	39.0	28.9	14.50	12.00	39.0	25.0	8.55	7.05	3.70	2.50
THE42B33S	TPLC100C20MP13C	24.5	XAF/XAUD60G	1375	40.0	29.4	14.00	11.50	40.5	25.6	8.20	6.55	3.62	2.48
THE42B33S	TPLC100C20MP13C	24.5	XAFD48F	1325	39.5	29.5	14.50	12.00	39.0	25.0	8.55	7.00	3.72	2.52
THE42B33S	TPLC100C20MP13C	21.0	XAHC48F	1350	38.5	28.5	14.00	11.50	37.6	24.6	8.20	6.75	3.54	2.46
THE42B33S	TPLC100C20MP13C	24.5	XAHD48F	1375	38.5	28.6	14.00	11.50	37.6	24.6	8.20	6.70	3.58	2.48
THE42B33S	TPLC100C20MP13C	21.0	XAHD60G	1325	39.5	29.0	14.00	11.00	39.5	25.0	8.20	6.70	3.58	2.44
THE42B33S	TPLC120C20MP13C	21.0	CF/CM/CU48C	1150	40.0	29.2	15.00	12.25	40.0	25.4	8.20	7.25	3.34	2.62
THE42B33S	TPLC120C20MP13C	21.0	CF/CM/CU48D	1150	40.5	29.6	15.00	12.25	40.0	25.2	8.20	7.30	3.34	2.64
THE42B33S	TPLC120C20MP13C	21.0	XAF/XAUC48F	1300	39.0	28.9	14.50	12.00	39.0	25.0	8.55	7.05	3.70	2.50
THE42B33S	TPLC120C20MP13C	24.5	XAF/XAUD60G	1375	40.0	29.4	14.00	11.50	40.5	25.6	8.20	6.55	3.62	2.48
THE42B33S	TPLC120C20MP13C	24.5	XAFD48F	1325	39.5	29.5	14.50	12.00	39.0	25.0	8.55	7.00	3.72	2.52
THE42B33S	TPLC120C20MP13C	21.0	XAHC48F	1350	38.5	28.5	14.00	11.50	37.6	24.6	8.20	6.75	3.54	2.46
THE42B33S	TPLC120C20MP13C	24.5	XAHD48F	1375	38.5	28.6	14.00	11.50	37.6	24.6	8.20	6.70	3.58	2.48
THE42B33S	TPLC120C20MP13C	21.0	XAHD60G	1325	39.5	29.0	14.00	11.00	39.5	25.0	8.20	6.70	3.58	2.44
THE42B33S	YP9C080C16MP13C	21.0	CF/CM/CU48C	1225	40.5	30.2	14.50	11.75	40.5	25.6	8.20	7.30	3.32	2.58
THE42B33S	YP9C080C16MP13C	21.0	CF/CM/CU48D	1225	40.5	30.2	14.50	11.75	40.0	25.6	8.20	7.25	3.34	2.60
THE42B33S	YP9C080C16MP13C	21.0	XAF/XAUC48F	1300	39.0	28.9	14.00	11.50	39.0	25.2	8.20	6.60	3.64	2.46
THE42B33S	YP9C080C16MP13C	24.5	XAFD48F	1300	39.0	28.9	14.00	11.50	39.0	25.2	8.20	6.55	3.64	2.48
THE42B33S	YP9C100C16MP13C	21.0	CF/CM/CU48C	1175	40.0	29.6	15.00	12.20	40.0	25.4	8.20	7.30	3.34	2.62
THE42B33S	YP9C100C16MP13C	21.0	CF/CM/CU48D	1175	40.0	29.6	15.00	12.20	40.0	25.4	8.20	7.25	3.34	2.62
THE42B33S	YP9C100C16MP13C	21.0	XAF/XAUC48F	1175	38.5	27.6	14.50	12.00	38.5	24.8	8.20	6.55	3.64	2.48
THE42B33S	YP9C100C16MP13C	24.5	XAF/XAUD60G	1325	40.0	29.1	14.00	11.00	40.0	25.6	8.20	6.70	3.60	2.48
THE42B33S	YP9C100C16MP13C	24.5	XAFD48F	1175	38.5	27.6	14.50	12.00	38.5	24.8	8.20	6.55	3.66	2.50
THE42B33S	YP9C100C16MP13C	21.0	XAHC48F	1225	38.0	27.2	14.00	11.50	37.0	24.4	8.20	6.85	3.48	2.44
THE42B33S	YP9C100C16MP13C	24.5	XAHD48F	1325	38.5	28.3	14.00	11.50	37.6	24.6	8.20	6.80	3.54	2.46
THE42B33S	YP9C100C20MP13C	21.0	CF/CM/CU48C	1225	40.5	30.4	14.75	12.20	40.0	25.4	8.20	7.25	3.36	2.62
THE42B33S	YP9C100C20MP13C	21.0	CF/CM/CU48D	1225	40.5	30.4	15.00	12.20	40.0	25.4	8.20	7.30	3.36	2.62
THE42B33S	YP9C100C20MP13C	21.0	XAF/XAUC48F	1350	39.0	29.1	14.00	11.50	39.0	25.2	8.20	6.45	3.68	2.48
THE42B33S	YP9C100C20MP13C	24.5	XAF/XAUD60G	1225	39.5	28.1	14.00	11.00	40.0	25.6	8.20	6.75	3.56	2.46
THE42B33S	YP9C100C20MP13C	24.5	XAFD48F	1350	39.0	29.1	14.00	11.50	39.0	25.2	8.20	6.70	3.70	2.50

SYSTEM CAPACITY - With High Efficiency Motor Furnaces¹ (Continued)

UNIT MODEL	FURNACE		COIL MODEL ²	COOLING					HEATING					
	MODEL	WIDTH		RATED CFM	NET MBH		SEER	EER	NET MBH		HSPF Region IV	HSPF Region V	COP	
					TOTAL	SENS.			47°F OD	17°F OD			47°F OD	17°F OD
THE42B33S	YP9C100C20MP13C	24.5	XAHD48F	1275	38.0	27.5	14.00	11.50	37.6	24.4	8.20	6.85	3.52	2.46
THE42B33S	YP9C120D20MP13C	24.5	XAF/XAUD60G	1300	40.0	29.0	14.00	11.50	40.0	25.4	8.20	6.60	3.60	2.48
THE42B33S	YP9C120D20MP13C	24.5	XAFD48F	1300	39.0	28.9	14.50	12.00	39.0	25.0	8.55	7.05	3.72	2.52
THE42B33S	YP9C120D20MP13C	24.5	XAHD48F	1400	38.5	28.8	14.00	11.50	37.6	24.6	8.20	6.65	3.60	2.48
THE42B33S	YP9C120D20MP13C	21.0	XAHD60G	1300	39.5	28.8	14.00	11.00	39.5	24.8	8.20	6.75	3.56	2.42
THE42B33S	YPLC080C16MP13C	21.0	CF/CM/CU48C	1150	40.0	29.2	14.75	12.20	40.0	25.4	8.20	7.30	3.32	2.60
THE42B33S	YPLC080C16MP13C	21.0	CF/CM/CU48D	1150	40.0	29.2	15.00	12.20	40.0	25.4	8.20	7.30	3.32	2.62
THE42B33S	YPLC080C16MP13C	21.0	XAF/XAUC48F	1375	39.0	29.3	14.00	11.50	39.5	25.4	8.20	6.45	3.68	2.48
THE42B33S	YPLC080C16MP13C	24.5	XAF/XAUD60G	1200	39.5	28.0	14.00	11.00	40.0	25.6	8.20	6.80	3.54	2.44
THE42B33S	YPLC080C16MP13C	24.5	XAFD48F	1150	38.5	27.5	14.50	12.00	38.5	24.8	8.20	6.55	3.62	2.48
THE42B33S	YPLC080C16MP13C	24.5	XAHD48F	1275	38.0	27.5	14.00	11.50	37.6	24.6	8.20	6.85	3.50	2.44
THE42B33S	YPLC100C16MP13C	21.0	CF/CM/CU48C	1150	40.0	29.2	14.75	12.20	40.0	25.4	8.20	7.30	3.32	2.60
THE42B33S	YPLC100C16MP13C	21.0	CF/CM/CU48D	1150	40.0	29.2	15.00	12.20	40.0	25.4	8.20	7.30	3.32	2.62
THE42B33S	YPLC100C16MP13C	21.0	XAF/XAUC48F	1375	39.0	29.3	14.00	11.50	39.5	25.4	8.20	6.45	3.68	2.48
THE42B33S	YPLC100C16MP13C	24.5	XAF/XAUD60G	1200	39.5	28.0	14.00	11.00	40.0	25.6	8.20	6.80	3.54	2.44
THE42B33S	YPLC100C16MP13C	24.5	XAFD48F	1150	38.5	27.5	14.50	12.00	38.5	24.8	8.20	6.55	3.62	2.48
THE42B33S	YPLC100C16MP13C	24.5	XAHD48F	1275	38.0	27.5	14.00	11.50	37.6	24.6	8.20	6.85	3.50	2.44
THE42B33S	YPLC100C20MP13C	21.0	CF/CM/CU48C	1150	40.0	29.2	15.00	12.25	40.0	25.4	8.20	7.25	3.34	2.62
THE42B33S	YPLC100C20MP13C	21.0	CF/CM/CU48D	1150	40.5	29.6	15.00	12.25	40.0	25.2	8.20	7.30	3.34	2.64
THE42B33S	YPLC100C20MP13C	21.0	XAF/XAUC48F	1300	39.0	28.9	14.50	12.00	39.0	25.0	8.55	7.05	3.70	2.50
THE42B33S	YPLC100C20MP13C	24.5	XAF/XAUD60G	1375	40.0	29.4	14.00	11.50	40.5	25.6	8.20	6.55	3.62	2.48
THE42B33S	YPLC100C20MP13C	24.5	XAFD48F	1325	39.5	29.5	14.50	12.00	39.0	25.0	8.55	7.00	3.72	2.52
THE42B33S	YPLC100C20MP13C	21.0	XAHC48F	1350	38.5	28.5	14.00	11.50	37.6	24.6	8.20	6.75	3.54	2.46
THE42B33S	YPLC100C20MP13C	24.5	XAHD48F	1375	38.5	28.6	14.00	11.50	37.6	24.6	8.20	6.70	3.58	2.48
THE42B33S	YPLC100C20MP13C	21.0	XAHD60G	1325	39.5	29.0	14.00	11.00	39.5	25.0	8.20	6.70	3.58	2.44
THE42B33S	YPLC120C20MP13C	21.0	CF/CM/CU48C	1150	40.0	29.2	15.00	12.25	40.0	25.4	8.20	7.25	3.34	2.62
THE42B33S	YPLC120C20MP13C	21.0	CF/CM/CU48D	1150	40.5	29.6	15.00	12.25	40.0	25.2	8.20	7.30	3.34	2.64
THE42B33S	YPLC120C20MP13C	21.0	XAF/XAUC48F	1300	39.0	28.9	14.50	12.00	39.0	25.0	8.55	7.05	3.70	2.50
THE42B33S	YPLC120C20MP13C	24.5	XAF/XAUD60G	1375	40.0	29.4	14.00	11.50	40.5	25.6	8.20	6.55	3.62	2.48
THE42B33S	YPLC120C20MP13C	24.5	XAFD48F	1325	39.5	29.5	14.50	12.00	39.0	25.0	8.55	7.00	3.72	2.52
THE42B33S	YPLC120C20MP13C	21.0	XAHC48F	1350	38.5	28.5	14.00	11.50	37.6	24.6	8.20	6.75	3.54	2.46
THE42B33S	YPLC120C20MP13C	24.5	XAHD48F	1375	38.5	28.6	14.00	11.50	37.6	24.6	8.20	6.70	3.58	2.48
THE42B33S	YPLC120C20MP13C	21.0	XAHD60G	1325	39.5	29.0	14.00	11.00	39.5	25.0	8.20	6.70	3.58	2.44
THE42B43S	TL8E080C16UH11	21.0	XAF/XAUC48F	1375	39.0	29.3	14.00	11.50	39.5	25.4	8.20	6.55	3.66	2.48
THE42B43S	TL8E080C16UH11	24.5	XAF/XAUD60G	1275	40.0	28.9	14.00	11.00	40.5	25.6	8.20	6.75	3.56	2.46
THE42B43S	TL8E080C16UH11	24.5	XAFD48F	1400	39.5	29.9	14.00	11.50	39.5	25.4	8.20	6.45	3.68	2.48
THE42B43S	TL8E080C16UH11	24.5	XAHD48F	1250	38.0	27.4	14.00	11.50	37.6	24.4	8.20	6.85	3.48	2.44

SYSTEM CAPACITY - With High Efficiency Motor Furnaces¹ (Continued)

UNIT MODEL	FURNACE		COIL MODEL ²	COOLING					HEATING					
	MODEL	WIDTH		RATED CFM	NET MBH		SEER	EER	NET MBH		HSPF Region IV	HSPF Region V	COP	
					TOTAL	SENS.			47°F OD	17°F OD			47°F OD	17°F OD
THE42B43S	TL8E100C20UH11	21.0	XAF/XAUC48F	1225	39.0	28.4	14.50	12.00	38.5	24.8	8.20	6.50	3.68	2.50
THE42B43S	TL8E100C20UH11	24.5	XAF/XAUD60G	1425	40.5	30.1	14.00	11.50	40.5	25.6	8.20	6.55	3.64	2.48
THE42B43S	TL8E100C20UH11	24.5	XAFD48F	1250	39.0	28.6	15.00	12.00	38.5	24.8	8.55	7.05	3.70	2.50
THE42B43S	TL8E100C20UH11	21.0	XAHC48F	1375	38.5	28.6	14.00	11.50	37.6	24.6	8.20	6.80	3.56	2.46
THE42B43S	TL8E100C20UH11	24.5	XAHD48F	1400	38.5	28.8	14.00	11.50	37.6	24.6	8.20	6.70	3.58	2.46
THE42B43S	TL9E080C16UH11	21.0	XAF/XAUC48F	1400	39.0	29.4	14.00	11.50	39.5	25.6	8.20	6.60	3.64	2.46
THE42B43S	TL9E080C16UH11	24.5	XAFD48F	1400	39.0	29.4	14.00	11.50	39.5	25.6	8.20	6.60	3.64	2.46
THE42B43S	TL9E100C20UH11	21.0	XAF/XAUC48F	1175	39.0	28.1	14.50	12.00	38.5	24.8	8.20	6.55	3.64	2.48
THE42B43S	TL9E100C20UH11	24.5	XAF/XAUD60G	1200	39.5	28.0	14.00	11.50	40.0	25.4	8.20	6.75	3.54	2.46
THE42B43S	TL9E100C20UH11	24.5	XAFD48F	1200	39.0	28.3	14.50	12.00	38.5	24.8	8.20	6.45	3.66	2.50
THE42B43S	TL9E100C20UH11	21.0	XAHC48F	1375	38.5	28.6	14.00	11.50	37.6	24.6	8.20	6.75	3.54	2.44
THE42B43S	TL9E100C20UH11	24.5	XAHD48F	1400	38.5	28.8	14.00	11.50	37.6	24.6	8.20	6.70	3.56	2.46
THE42B43S	TM8E080C16MP11	21.0	XAF/XAUC48F	1250	39.0	28.6	14.00	11.50	39.0	25.0	8.20	6.55	3.64	2.48
THE42B43S	TM8E080C16MP11	24.5	XAF/XAUD60G	1275	40.0	28.9	14.00	11.00	40.0	25.6	8.20	6.75	3.56	2.46
THE42B43S	TM8E080C16MP11	24.5	XAFD48F	1275	39.0	28.7	14.00	11.50	39.0	25.0	8.20	6.45	3.66	2.48
THE42B43S	TM8E080C16MP11	24.5	XAHD48F	1250	38.0	27.4	14.00	11.50	37.6	24.4	8.20	6.85	3.50	2.44
THE42B43S	TM8E080C20MP11	21.0	XAF/XAUC48F	1225	39.0	28.4	14.50	12.00	38.5	24.8	8.20	6.50	3.68	2.50
THE42B43S	TM8E080C20MP11	24.5	XAF/XAUD60G	1250	40.0	28.8	14.00	11.50	40.0	25.4	8.20	6.65	3.58	2.48
THE42B43S	TM8E080C20MP11	24.5	XAFD48F	1225	39.0	28.4	14.50	12.00	38.5	24.8	8.20	6.50	3.68	2.50
THE42B43S	TM8E080C20MP11	21.0	XAHC48F	1400	38.5	28.8	14.00	11.50	38.0	24.8	8.20	6.75	3.54	2.44
THE42B43S	TM8E080C20MP11	24.5	XAHD48F	1450	39.0	29.6	14.00	11.50	38.0	24.6	8.20	6.60	3.60	2.46
THE42B43S	TM8E100C16MP11	21.0	XAF/XAUC48F	1275	39.0	28.7	14.00	11.50	39.0	25.2	8.20	6.55	3.66	2.48
THE42B43S	TM8E100C16MP11	24.5	XAF/XAUD60G	1300	40.0	29.0	14.00	11.00	40.5	25.6	8.20	6.75	3.56	2.46
THE42B43S	TM8E100C16MP11	24.5	XAFD48F	1300	39.0	28.9	14.00	11.50	39.0	25.2	8.20	6.45	3.68	2.50
THE42B43S	TM8E100C16MP11	24.5	XAHD48F	1275	38.0	27.5	14.00	11.50	37.6	24.6	8.20	6.85	3.50	2.44
THE42B43S	TM8E100C20MP11	21.0	XAF/XAUC48F	1225	39.0	28.4	14.50	12.00	38.5	24.8	8.20	6.50	3.68	2.50
THE42B43S	TM8E100C20MP11	24.5	XAF/XAUD60G	1250	40.0	28.8	14.00	11.50	40.0	25.4	8.20	6.65	3.58	2.48
THE42B43S	TM8E100C20MP11	24.5	XAFD48F	1225	39.0	28.4	14.50	12.00	38.5	24.8	8.20	6.50	3.68	2.50
THE42B43S	TM8E100C20MP11	21.0	XAHC48F	1400	38.5	28.8	14.00	11.50	38.0	24.8	8.20	6.75	3.56	2.46
THE42B43S	TM8E100C20MP11	24.5	XAHD48F	1425	38.5	28.9	14.00	11.50	38.0	24.6	8.20	6.70	3.58	2.46
THE42B43S	TM8E120C16MP11	21.0	XAF/XAUC48F	1275	39.0	28.7	14.00	11.50	39.0	25.0	8.20	6.55	3.66	2.48
THE42B43S	TM8E120C16MP11	24.5	XAF/XAUD60G	1300	40.0	29.0	14.00	11.00	40.5	25.6	8.20	6.75	3.56	2.46
THE42B43S	TM8E120C16MP11	24.5	XAFD48F	1300	39.0	28.9	14.00	11.50	39.0	25.0	8.20	6.45	3.68	2.50
THE42B43S	TM8E120C16MP11	24.5	XAHD48F	1300	38.5	28.2	14.00	11.50	37.6	24.6	8.20	6.75	3.52	2.46
THE42B43S	TM8E120C20MP11	21.0	XAF/XAUC48F	1250	39.0	28.6	14.50	12.00	39.0	25.0	8.20	6.50	3.68	2.50
THE42B43S	TM8E120C20MP11	24.5	XAF/XAUD60G	1450	40.5	30.2	14.00	11.00	40.5	25.8	8.20	6.55	3.64	2.48
THE42B43S	TM8E120C20MP11	24.5	XAFD48F	1275	39.0	28.7	14.50	12.00	39.0	25.0	8.55	7.05	3.70	2.50

SYSTEM CAPACITY - With High Efficiency Motor Furnaces¹ (Continued)

UNIT MODEL	FURNACE		COIL MODEL ²	COOLING					HEATING					
	MODEL	WIDTH		RATED CFM	NET MBH		SEER	EER	NET MBH		HSPF Region IV	HSPF Region V	COP	
					TOTAL	SENS.			47°F OD	17°F OD			47°F OD	17°F OD
THE42B43S	TM8E120C20MP11	21.0	XAHC48F	1225	38.0	27.2	14.00	11.50	37.0	24.4	8.20	6.85	3.50	2.46
THE42B43S	TM8E120C20MP11	24.5	XAHD48F	1500	39.0	29.9	14.00	11.50	38.0	24.8	8.20	6.60	3.60	2.46
THE42B43S	TM8E120C20MP11	21.0	XAHD60G	1275	39.5	28.7	14.00	11.00	39.0	24.8	8.20	6.75	3.54	2.42
THE42B43S	TM8E130D20MP11	24.5	XAF/XAUD60G	1275	40.0	28.9	14.00	11.50	40.0	25.6	8.20	6.70	3.58	2.48
THE42B43S	TM8E130D20MP11	24.5	XAFD48F	1425	39.5	30.1	14.50	12.00	39.0	25.2	8.55	7.00	3.74	2.52
THE42B43S	TM8E130D20MP11	24.5	XAHD48F	1400	38.5	28.8	14.00	11.50	37.6	24.6	8.20	6.70	3.58	2.46
THE42B43S	TM8V080C16MP12C	21.0	CF/CM/CU48C	1150	40.0	29.2	14.75	12.20	40.0	25.4	8.20	7.30	3.32	2.60
THE42B43S	TM8V080C16MP12C	21.0	CF/CM/CU48D	1150	40.0	29.2	15.00	12.20	40.0	25.4	8.20	7.30	3.32	2.62
THE42B43S	TM8V080C16MP12C	21.0	XAF/XAUC48F	1375	39.0	29.3	14.00	11.50	39.5	25.4	8.20	6.45	3.68	2.48
THE42B43S	TM8V080C16MP12C	24.5	XAF/XAUD60G	1200	39.5	28.0	14.00	11.00	40.0	25.6	8.20	6.80	3.54	2.44
THE42B43S	TM8V080C16MP12C	24.5	XAFD48F	1425	39.5	30.1	14.00	11.50	39.5	25.4	8.20	6.50	3.70	2.48
THE42B43S	TM8V080C16MP12C	24.5	XAHD48F	1275	38.0	27.5	14.00	11.50	37.6	24.6	8.20	6.85	3.50	2.44
THE42B43S	TM8V100C16MP12C	21.0	CF/CM/CU48C	1150	40.0	29.2	14.75	12.20	40.0	25.4	8.20	7.30	3.32	2.60
THE42B43S	TM8V100C16MP12C	21.0	CF/CM/CU48D	1150	40.0	29.2	15.00	12.20	40.0	25.4	8.20	7.30	3.32	2.62
THE42B43S	TM8V100C16MP12C	21.0	XAF/XAUC48F	1375	39.0	29.3	14.00	11.50	39.5	25.4	8.20	6.45	3.68	2.48
THE42B43S	TM8V100C16MP12C	24.5	XAF/XAUD60G	1200	39.5	28.0	14.00	11.00	40.0	25.6	8.20	6.80	3.54	2.44
THE42B43S	TM8V100C16MP12C	24.5	XAFD48F	1150	38.5	27.5	14.50	12.00	38.5	24.8	8.20	6.55	3.62	2.48
THE42B43S	TM8V100C16MP12C	24.5	XAHD48F	1275	38.0	27.5	14.00	11.50	37.6	24.6	8.20	6.85	3.50	2.44
THE42B43S	TM8V100C20MP12C	21.0	CF/CM/CU48C	1150	40.0	29.2	15.00	12.25	40.0	25.4	8.20	7.25	3.34	2.62
THE42B43S	TM8V100C20MP12C	21.0	CF/CM/CU48D	1150	40.5	29.6	15.00	12.25	40.0	25.2	8.20	7.30	3.34	2.64
THE42B43S	TM8V100C20MP12C	21.0	XAF/XAUC48F	1300	39.0	28.9	14.50	12.00	39.0	25.0	8.55	7.05	3.70	2.50
THE42B43S	TM8V100C20MP12C	24.5	XAF/XAUD60G	1375	40.0	29.4	14.00	11.50	40.5	25.6	8.20	6.55	3.62	2.48
THE42B43S	TM8V100C20MP12C	24.5	XAFD48F	1400	39.5	29.9	14.50	12.00	39.0	25.2	8.55	7.00	3.74	2.52
THE42B43S	TM8V100C20MP12C	21.0	XAHC48F	1350	38.5	28.5	14.00	11.50	37.6	24.6	8.20	6.75	3.54	2.46
THE42B43S	TM8V100C20MP12C	24.5	XAHD48F	1375	38.5	28.6	14.00	11.50	37.6	24.6	8.20	6.70	3.58	2.48
THE42B43S	TM8V100C20MP12C	21.0	XAHD60G	1325	39.5	29.0	14.00	11.00	39.5	25.0	8.20	6.70	3.58	2.44
THE42B43S	TM8V120C20MP12C	21.0	CF/CM/CU48C	1150	40.0	29.2	15.00	12.25	40.0	25.4	8.20	7.25	3.34	2.62
THE42B43S	TM8V120C20MP12C	21.0	CF/CM/CU48D	1150	40.5	29.6	15.00	12.25	40.0	25.2	8.20	7.30	3.34	2.64
THE42B43S	TM8V120C20MP12C	21.0	XAF/XAUC48F	1300	39.0	28.9	14.50	12.00	39.0	25.0	8.55	7.05	3.70	2.50
THE42B43S	TM8V120C20MP12C	24.5	XAF/XAUD60G	1375	40.0	29.4	14.00	11.50	40.5	25.6	8.20	6.55	3.62	2.48
THE42B43S	TM8V120C20MP12C	24.5	XAFD48F	1325	39.5	29.5	14.50	12.00	39.0	25.0	8.55	7.00	3.72	2.52
THE42B43S	TM8V120C20MP12C	21.0	XAHC48F	1350	38.5	28.5	14.00	11.50	37.6	24.6	8.20	6.75	3.54	2.46
THE42B43S	TM8V120C20MP12C	24.5	XAHD48F	1375	38.5	28.6	14.00	11.50	37.6	24.6	8.20	6.70	3.58	2.48
THE42B43S	TM8V120C20MP12C	21.0	XAHD60G	1325	39.5	29.0	14.00	11.00	39.5	25.0	8.20	6.70	3.58	2.44
THE42B43S	TM8X080C16MP11	21.0	CF/CM/CU48C	1150	40.0	29.2	15.00	12.20	40.0	25.4	8.20	7.30	3.32	2.62
THE42B43S	TM8X080C16MP11	21.0	CF/CM/CU48D	1150	40.0	29.2	15.00	12.20	40.0	25.4	8.20	7.30	3.32	2.62
THE42B43S	TM8X100C16MP11	21.0	CF/CM/CU48C	1150	40.0	29.2	15.00	12.20	40.0	25.4	8.20	7.30	3.32	2.62

SYSTEM CAPACITY - With High Efficiency Motor Furnaces¹ (Continued)

UNIT MODEL	FURNACE		COIL MODEL ²	COOLING					HEATING					
	MODEL	WIDTH		RATED CFM	NET MBH		SEER	EER	NET MBH		HSPF Region IV	HSPF Region V	COP	
					TOTAL	SENS.			47°F OD	17°F OD			47°F OD	17°F OD
THE42B43S	TM8X100C16MP11	21.0	CF/CM/CU48D	1150	40.0	29.2	15.00	12.20	40.0	25.4	8.20	7.30	3.32	2.62
THE42B43S	TM8X100C20MP11	21.0	CF/CM/CU48C	1225	40.5	30.4	15.00	12.25	40.0	25.4	8.20	7.25	3.38	2.62
THE42B43S	TM8X100C20MP11	21.0	CF/CM/CU48D	1250	40.5	30.8	15.25	12.25	40.0	25.2	8.20	7.25	3.40	2.64
THE42B43S	TM8X120C20MP11	21.0	CF/CM/CU48C	1225	40.5	30.4	15.00	12.25	40.0	25.4	8.20	7.25	3.38	2.62
THE42B43S	TM8X120C20MP11	21.0	CF/CM/CU48D	1250	40.5	30.8	15.25	12.25	40.0	25.2	8.20	7.25	3.40	2.64
THE42B43S	TM8Y080C16MP11	21.0	CF/CM/CU48C	1150	40.0	29.2	15.00	12.20	40.0	25.4	8.20	7.30	3.32	2.62
THE42B43S	TM8Y080C16MP11	21.0	CF/CM/CU48D	1150	40.0	29.2	15.00	12.20	40.0	25.4	8.20	7.30	3.32	2.62
THE42B43S	TM8Y080C16MP11	21.0	XAF/XAUC48F	1150	38.5	27.5	14.50	12.00	38.5	24.8	8.20	6.55	3.64	2.48
THE42B43S	TM8Y080C16MP11	24.5	XAF/XAUD60G	1175	39.5	27.9	14.00	11.50	40.0	25.4	8.20	6.85	3.54	2.46
THE42B43S	TM8Y080C16MP11	24.5	XAFD48F	1150	38.5	27.5	14.50	12.00	38.5	24.8	8.20	6.55	3.64	2.48
THE42B43S	TM8Y080C16MP11	24.5	XAHD48F	1375	38.5	28.6	14.00	11.50	37.6	24.6	8.20	6.75	3.54	2.44
THE42B43S	TM8Y100C16MP11	21.0	CF/CM/CU48C	1150	40.0	29.2	15.00	12.20	40.0	25.4	8.20	7.30	3.32	2.62
THE42B43S	TM8Y100C16MP11	21.0	CF/CM/CU48D	1150	40.0	29.2	15.00	12.20	40.0	25.4	8.20	7.30	3.32	2.62
THE42B43S	TM8Y100C16MP11	21.0	XAF/XAUC48F	1150	38.5	27.5	14.50	12.00	38.5	24.8	8.20	6.55	3.64	2.48
THE42B43S	TM8Y100C16MP11	24.5	XAF/XAUD60G	1175	39.5	27.9	14.00	11.50	40.0	25.4	8.20	6.85	3.54	2.46
THE42B43S	TM8Y100C16MP11	24.5	XAFD48F	1150	38.5	27.5	14.50	12.00	38.5	24.8	8.20	6.55	3.64	2.48
THE42B43S	TM8Y100C16MP11	24.5	XAHD48F	1375	38.5	28.6	14.00	11.50	37.6	24.6	8.20	6.75	3.54	2.44
THE42B43S	TM8Y100C20MP11	21.0	CF/CM/CU48C	1225	40.5	30.4	15.00	12.25	40.0	25.4	8.20	7.25	3.38	2.62
THE42B43S	TM8Y100C20MP11	21.0	CF/CM/CU48D	1250	40.5	30.8	15.25	12.25	40.0	25.2	8.20	7.25	3.40	2.64
THE42B43S	TM8Y100C20MP11	21.0	XAF/XAUC48F	1200	39.0	28.3	14.50	12.00	38.5	24.8	8.20	6.45	3.66	2.50
THE42B43S	TM8Y100C20MP11	24.5	XAF/XAUD60G	1400	40.5	30.0	14.00	11.50	40.5	25.6	8.20	6.60	3.62	2.48
THE42B43S	TM8Y100C20MP11	24.5	XAFD48F	1375	39.5	29.8	14.50	12.00	39.0	25.2	8.55	7.05	3.72	2.50
THE42B43S	TM8Y100C20MP11	21.0	XAHC48F	1325	38.5	28.3	14.00	11.50	37.6	24.6	8.20	6.75	3.52	2.44
THE42B43S	TM8Y100C20MP11	24.5	XAHD48F	1375	38.5	28.6	14.00	11.50	37.6	24.6	8.20	6.70	3.56	2.46
THE42B43S	TM8Y100C20MP11	21.0	XAHD60G	1375	39.5	29.2	14.00	11.00	39.5	25.2	8.20	6.70	3.58	2.44
THE42B43S	TM8Y120C20MP11	21.0	CF/CM/CU48C	1225	40.5	30.4	15.00	12.25	40.0	25.4	8.20	7.25	3.38	2.62
THE42B43S	TM8Y120C20MP11	21.0	CF/CM/CU48D	1250	40.5	30.8	15.25	12.25	40.0	25.2	8.20	7.25	3.40	2.64
THE42B43S	TM8Y120C20MP11	21.0	XAF/XAUC48F	1200	39.0	28.3	14.50	12.00	38.5	24.8	8.20	6.45	3.66	2.50
THE42B43S	TM8Y120C20MP11	24.5	XAF/XAUD60G	1400	40.5	30.0	14.00	11.50	40.5	25.6	8.20	6.60	3.62	2.48
THE42B43S	TM8Y120C20MP11	24.5	XAFD48F	1375	39.5	29.8	14.50	12.00	39.0	25.2	8.55	7.05	3.72	2.50
THE42B43S	TM8Y120C20MP11	21.0	XAHC48F	1325	38.5	28.3	14.00	11.50	37.6	24.6	8.20	6.75	3.52	2.44
THE42B43S	TM8Y120C20MP11	24.5	XAHD48F	1375	38.5	28.6	14.00	11.50	37.6	24.6	8.20	6.70	3.56	2.46
THE42B43S	TM8Y120C20MP11	21.0	XAHD60G	1375	39.5	29.2	14.00	11.00	39.5	25.2	8.20	6.70	3.58	2.44
THE42B43S	TM9E080C16MP11	21.0	CF/CM/CU48C	1150	40.0	29.4	14.75	12.20	40.0	25.6	8.20	7.30	3.30	2.60
THE42B43S	TM9E080C16MP11	21.0	CF/CM/CU48D	1150	40.0	29.4	14.75	12.20	40.0	25.6	8.20	7.30	3.30	2.60
THE42B43S	TM9E080C16MP12	21.0	XAF/XAUC48F	1250	39.0	28.6	14.00	11.50	39.0	25.2	8.20	6.60	3.62	2.46
THE42B43S	TM9E080C16MP12	24.5	XAFD48F	1250	39.0	28.6	14.00	11.50	39.0	25.2	8.20	6.60	3.62	2.46

SYSTEM CAPACITY - With High Efficiency Motor Furnaces¹ (Continued)

UNIT MODEL	FURNACE		COIL MODEL ²	COOLING					HEATING					
	MODEL	WIDTH		RATED CFM	NET MBH		SEER	EER	NET MBH		HSPF Region IV	HSPF Region V	COP	
					TOTAL	SENS.			47°F OD	17°F OD			47°F OD	17°F OD
THE42B43S	TM9E080C20MP12	21.0	XAF/XAUC48F	1200	39.0	28.3	14.50	12.00	38.5	24.8	8.20	6.45	3.66	2.50
THE42B43S	TM9E080C20MP12	24.5	XAF/XAUD60G	1225	39.5	28.1	14.00	11.50	40.0	25.4	8.20	6.75	3.56	2.46
THE42B43S	TM9E080C20MP12	24.5	XAFD48F	1225	39.0	28.4	14.50	12.00	38.5	24.8	8.20	6.50	3.68	2.50
THE42B43S	TM9E080C20MP12	21.0	XAHC48F	1375	38.5	28.6	14.00	11.50	37.6	24.6	8.20	6.75	3.54	2.44
THE42B43S	TM9E080C20MP12	24.5	XAHD48F	1400	38.5	28.8	14.00	11.50	37.6	24.6	8.20	6.70	3.56	2.46
THE42B43S	TM9E100C16MP11	21.0	CF/CM/CU48C	1150	40.0	29.4	14.75	12.20	40.0	25.4	8.20	7.30	3.30	2.60
THE42B43S	TM9E100C16MP11	21.0	CF/CM/CU48D	1175	40.0	29.6	14.75	12.20	40.0	25.4	8.20	7.30	3.32	2.62
THE42B43S	TM9E100C16MP12	21.0	XAF/XAUC48F	1250	39.0	28.6	14.00	11.50	39.0	25.2	8.20	6.60	3.62	2.46
THE42B43S	TM9E100C16MP12	24.5	XAFD48F	1250	39.0	28.6	14.00	11.50	39.0	25.2	8.20	6.60	3.64	2.46
THE42B43S	TM9E100C20MP11	21.0	CF/CM/CU48C	1175	40.0	29.6	14.75	12.20	40.0	25.4	8.20	7.30	3.32	2.60
THE42B43S	TM9E100C20MP11	21.0	CF/CM/CU48D	1200	40.5	30.0	15.00	12.20	40.0	25.4	8.20	7.25	3.36	2.62
THE42B43S	TM9E100C20MP12	21.0	XAF/XAUC48F	1175	39.0	28.1	14.50	12.00	38.5	24.8	8.20	6.55	3.64	2.48
THE42B43S	TM9E100C20MP12	24.5	XAF/XAUD60G	1200	39.5	28.0	14.00	11.50	40.0	25.4	8.20	6.75	3.56	2.46
THE42B43S	TM9E100C20MP12	24.5	XAFD48F	1200	39.0	28.3	14.50	12.00	38.5	24.8	8.20	6.45	3.66	2.50
THE42B43S	TM9E100C20MP12	21.0	XAHC48F	1350	38.5	28.5	14.00	11.50	37.6	24.6	8.20	6.75	3.54	2.44
THE42B43S	TM9E100C20MP12	24.5	XAHD48F	1400	38.5	28.8	14.00	11.50	37.6	24.6	8.20	6.70	3.58	2.46
THE42B43S	TM9E120D20MP11	24.5	CF/CM/CU48D	1250	40.5	30.6	15.00	12.20	40.0	25.4	8.20	7.20	3.40	2.64
THE42B43S	TM9E120D20MP12	24.5	XAF/XAUD60G	1225	39.5	28.1	14.00	11.50	40.0	25.6	8.20	6.75	3.56	2.46
THE42B43S	TM9E120D20MP12	24.5	XAFD48F	1225	39.0	28.4	14.50	12.00	38.5	25.0	8.20	6.45	3.66	2.50
THE42B43S	TM9E120D20MP12	24.5	XAHD48F	1425	38.5	28.9	14.00	11.50	38.0	24.8	8.20	6.70	3.56	2.46
THE42B43S	TM9V080C16MP12C	21.0	CF/CM/CU48C	1225	40.5	30.2	14.50	11.75	40.5	25.6	8.20	7.30	3.32	2.58
THE42B43S	TM9V080C16MP12C	21.0	CF/CM/CU48D	1225	40.5	30.2	14.50	11.75	40.0	25.6	8.20	7.25	3.34	2.60
THE42B43S	TM9V080C16MP12C	21.0	XAF/XAUC48F	1300	39.0	28.9	14.00	11.50	39.0	25.2	8.20	6.60	3.64	2.46
THE42B43S	TM9V080C16MP12C	24.5	XAFD48F	1300	39.0	28.9	14.00	11.50	39.0	25.2	8.20	6.55	3.64	2.48
THE42B43S	TM9V100C16MP12C	21.0	CF/CM/CU48C	1175	40.0	29.6	15.00	12.20	40.0	25.4	8.20	7.30	3.34	2.62
THE42B43S	TM9V100C16MP12C	21.0	CF/CM/CU48D	1175	40.0	29.6	15.00	12.20	40.0	25.4	8.20	7.25	3.34	2.62
THE42B43S	TM9V100C16MP12C	21.0	XAF/XAUC48F	1175	38.5	27.6	14.50	12.00	38.5	24.8	8.20	6.55	3.64	2.48
THE42B43S	TM9V100C16MP12C	24.5	XAF/XAUD60G	1325	40.0	29.1	14.00	11.00	40.0	25.6	8.20	6.70	3.60	2.48
THE42B43S	TM9V100C16MP12C	24.5	XAFD48F	1175	38.5	27.6	14.50	12.00	38.5	24.8	8.20	6.55	3.66	2.50
THE42B43S	TM9V100C16MP12C	21.0	XAHC48F	1225	38.0	27.2	14.00	11.50	37.0	24.4	8.20	6.85	3.48	2.44
THE42B43S	TM9V100C16MP12C	24.5	XAHD48F	1325	38.5	28.3	14.00	11.50	37.6	24.6	8.20	6.80	3.54	2.46
THE42B43S	TM9V100C20MP12C	21.0	CF/CM/CU48C	1225	40.5	30.4	14.75	12.20	40.0	25.4	8.20	7.25	3.36	2.62
THE42B43S	TM9V100C20MP12C	21.0	CF/CM/CU48D	1225	40.5	30.4	15.00	12.20	40.0	25.4	8.20	7.30	3.36	2.62
THE42B43S	TM9V100C20MP12C	21.0	XAF/XAUC48F	1350	39.0	29.1	14.00	11.50	39.0	25.2	8.20	6.45	3.68	2.48
THE42B43S	TM9V100C20MP12C	24.5	XAF/XAUD60G	1225	39.5	28.1	14.00	11.00	40.0	25.6	8.20	6.75	3.56	2.46
THE42B43S	TM9V100C20MP12C	24.5	XAFD48F	1350	39.0	29.1	14.00	11.50	39.0	25.2	8.20	6.70	3.70	2.50
THE42B43S	TM9V100C20MP12C	24.5	XAHD48F	1275	38.0	27.5	14.00	11.50	37.6	24.4	8.20	6.85	3.52	2.46

SYSTEM CAPACITY - With High Efficiency Motor Furnaces¹ (Continued)

UNIT MODEL	FURNACE		COIL MODEL ²	COOLING					HEATING					
	MODEL	WIDTH		RATED CFM	NET MBH		SEER	EER	NET MBH		HSPF Region IV	HSPF Region V	COP	
					TOTAL	SENS.			47°F OD	17°F OD			47°F OD	17°F OD
THE42B43S	TM9V120D20MP12C	24.5	CF/CM/CU48D	1200	40.5	30.0	15.00	12.25	40.0	25.4	8.20	7.25	3.38	2.64
THE42B43S	TM9V120D20MP12C	24.5	XAF/XAUD60G	1300	40.0	29.0	14.00	11.50	40.0	25.4	8.20	6.60	3.60	2.48
THE42B43S	TM9V120D20MP12C	24.5	XAFD48F	1300	39.0	28.9	14.50	12.00	39.0	25.0	8.55	7.05	3.72	2.52
THE42B43S	TM9V120D20MP12C	24.5	XAHD48F	1400	38.5	28.8	14.00	11.50	37.6	24.6	8.20	6.65	3.60	2.48
THE42B43S	TM9V120D20MP12C	21.0	XAHD60G	1300	39.5	28.8	14.00	11.00	39.5	24.8	8.20	6.75	3.56	2.42
THE42B43S	TM9Y080C16MP11	21.0	CF/CM/CU48C	1150	40.0	29.4	14.75	12.20	40.0	25.6	8.20	7.30	3.30	2.60
THE42B43S	TM9Y080C16MP11	21.0	CF/CM/CU48D	1150	40.0	29.4	14.75	12.20	40.0	25.6	8.20	7.30	3.30	2.60
THE42B43S	TM9Y080C16MP11	21.0	XAF/XAUC48F	1225	38.5	27.9	14.00	11.50	39.0	25.2	8.20	6.65	3.60	2.46
THE42B43S	TM9Y080C16MP11	24.5	XAFD48F	1250	39.0	28.6	14.00	11.50	39.0	25.2	8.20	6.60	3.62	2.46
THE42B43S	TM9Y100C16MP11	21.0	CF/CM/CU48C	1150	40.0	29.4	14.75	12.20	40.0	25.4	8.20	7.30	3.30	2.60
THE42B43S	TM9Y100C16MP11	21.0	CF/CM/CU48D	1175	40.0	29.6	14.75	12.20	40.0	25.4	8.20	7.30	3.32	2.62
THE42B43S	TM9Y100C16MP11	21.0	XAF/XAUC48F	1250	39.0	28.6	14.00	11.50	39.0	25.2	8.20	6.60	3.62	2.46
THE42B43S	TM9Y100C16MP11	24.5	XAFD48F	1250	39.0	28.6	14.00	11.50	39.0	25.2	8.20	6.60	3.62	2.46
THE42B43S	TM9Y100C20MP11	21.0	CF/CM/CU48C	1175	40.0	29.6	14.75	12.20	40.0	25.4	8.20	7.30	3.32	2.60
THE42B43S	TM9Y100C20MP11	21.0	CF/CM/CU48D	1200	40.5	30.0	15.00	12.20	40.0	25.4	8.20	7.25	3.36	2.62
THE42B43S	TM9Y100C20MP11	21.0	XAF/XAUC48F	1150	38.5	27.5	14.50	12.00	38.5	25.0	8.20	6.60	3.62	2.48
THE42B43S	TM9Y100C20MP11	24.5	XAF/XAUD60G	1175	39.5	27.9	14.00	11.00	40.0	25.6	8.20	6.80	3.52	2.44
THE42B43S	TM9Y100C20MP11	24.5	XAFD48F	1150	38.5	27.5	14.50	12.00	38.5	25.0	8.20	6.60	3.62	2.48
THE42B43S	TM9Y100C20MP11	24.5	XAHD48F	1325	38.5	28.3	14.00	11.50	37.6	24.6	8.20	6.85	3.50	2.44
THE42B43S	TM9Y120D20MP11	24.5	CF/CM/CU48D	1250	40.5	30.6	15.00	12.20	40.0	25.4	8.20	7.20	3.40	2.64
THE42B43S	TM9Y120D20MP11	24.5	XAF/XAUD60G	1225	39.5	28.1	14.00	11.50	40.0	25.4	8.20	6.75	3.56	2.46
THE42B43S	TM9Y120D20MP11	24.5	XAFD48F	1225	39.0	28.4	14.50	12.00	38.5	24.8	8.20	6.50	3.68	2.50
THE42B43S	TM9Y120D20MP11	24.5	XAHD48F	1375	38.5	28.6	14.00	11.50	37.6	24.6	8.20	6.80	3.56	2.46
THE42B43S	TMLE080C16MP11	21.0	XAF/XAUC48F	1250	39.0	28.6	14.00	11.50	39.0	25.0	8.20	6.55	3.64	2.48
THE42B43S	TMLE080C16MP11	24.5	XAF/XAUD60G	1275	40.0	28.9	14.00	11.00	40.0	25.6	8.20	6.75	3.56	2.46
THE42B43S	TMLE080C16MP11	24.5	XAFD48F	1275	39.0	28.7	14.00	11.50	39.0	25.0	8.20	6.45	3.66	2.48
THE42B43S	TMLE080C16MP11	24.5	XAHD48F	1250	38.0	27.4	14.00	11.50	37.6	24.4	8.20	6.85	3.50	2.44
THE42B43S	TMLE080C20MP11	21.0	XAF/XAUC48F	1225	39.0	28.4	14.50	12.00	38.5	24.8	8.20	6.50	3.68	2.50
THE42B43S	TMLE080C20MP11	24.5	XAF/XAUD60G	1250	40.0	28.8	14.00	11.50	40.0	25.4	8.20	6.65	3.58	2.48
THE42B43S	TMLE080C20MP11	24.5	XAFD48F	1225	39.0	28.4	14.50	12.00	38.5	24.8	8.20	6.50	3.68	2.50
THE42B43S	TMLE080C20MP11	21.0	XAHC48F	1400	38.5	28.8	14.00	11.50	38.0	24.8	8.20	6.75	3.54	2.44
THE42B43S	TMLE080C20MP11	24.5	XAHD48F	1450	39.0	29.6	14.00	11.50	38.0	24.6	8.20	6.60	3.60	2.46
THE42B43S	TMLE100C16MP11	21.0	XAF/XAUC48F	1275	39.0	28.7	14.00	11.50	39.0	25.2	8.20	6.55	3.66	2.48
THE42B43S	TMLE100C16MP11	24.5	XAF/XAUD60G	1300	40.0	29.0	14.00	11.00	40.5	25.6	8.20	6.75	3.56	2.46
THE42B43S	TMLE100C16MP11	24.5	XAFD48F	1300	39.0	28.9	14.00	11.50	39.0	25.2	8.20	6.45	3.68	2.50
THE42B43S	TMLE100C16MP11	24.5	XAHD48F	1275	38.0	27.5	14.00	11.50	37.6	24.6	8.20	6.85	3.50	2.44
THE42B43S	TMLE100C20MP11	21.0	XAF/XAUC48F	1225	39.0	28.4	14.50	12.00	38.5	24.8	8.20	6.50	3.68	2.50

SYSTEM CAPACITY - With High Efficiency Motor Furnaces¹ (Continued)

UNIT MODEL	FURNACE		COIL MODEL ²	COOLING					HEATING					
	MODEL	WIDTH		RATED CFM	NET MBH		SEER	EER	NET MBH		HSPF Region IV	HSPF Region V	COP	
					TOTAL	SENS.			47°F OD	17°F OD			47°F OD	17°F OD
THE42B43S	TMLE100C20MP11	24.5	XAF/XAUD60G	1250	40.0	28.8	14.00	11.50	40.0	25.4	8.20	6.65	3.58	2.48
THE42B43S	TMLE100C20MP11	24.5	XAFD48F	1225	39.0	28.4	14.50	12.00	38.5	24.8	8.20	6.50	3.68	2.50
THE42B43S	TMLE100C20MP11	21.0	XAHC48F	1400	38.5	28.8	14.00	11.50	38.0	24.8	8.20	6.75	3.56	2.46
THE42B43S	TMLE100C20MP11	24.5	XAHD48F	1425	38.5	28.9	14.00	11.50	38.0	24.6	8.20	6.70	3.58	2.46
THE42B43S	TMLE120C16MP11	21.0	XAF/XAUC48F	1275	39.0	28.7	14.00	11.50	39.0	25.0	8.20	6.55	3.66	2.48
THE42B43S	TMLE120C16MP11	24.5	XAF/XAUD60G	1300	40.0	29.0	14.00	11.00	40.5	25.6	8.20	6.75	3.56	2.46
THE42B43S	TMLE120C16MP11	24.5	XAFD48F	1300	39.0	28.9	14.00	11.50	39.0	25.0	8.20	6.45	3.68	2.50
THE42B43S	TMLE120C16MP11	24.5	XAHD48F	1300	38.5	28.2	14.00	11.50	37.6	24.6	8.20	6.75	3.52	2.46
THE42B43S	TMLE120C20MP11	21.0	XAF/XAUC48F	1250	39.0	28.6	14.50	12.00	39.0	25.0	8.20	6.50	3.68	2.50
THE42B43S	TMLE120C20MP11	24.5	XAF/XAUD60G	1450	40.5	30.2	14.00	11.00	40.5	25.8	8.20	6.55	3.64	2.48
THE42B43S	TMLE120C20MP11	24.5	XAFD48F	1275	39.0	28.7	14.50	12.00	39.0	25.0	8.55	7.05	3.70	2.50
THE42B43S	TMLE120C20MP11	21.0	XAHC48F	1225	38.0	27.2	14.00	11.50	37.0	24.4	8.20	6.85	3.50	2.46
THE42B43S	TMLE120C20MP11	24.5	XAHD48F	1500	39.0	29.9	14.00	11.50	38.0	24.8	8.20	6.60	3.60	2.46
THE42B43S	TMLE120C20MP11	21.0	XAHD60G	1275	39.5	28.7	14.00	11.00	39.0	24.8	8.20	6.75	3.54	2.42
THE42B43S	TMLE130D20MP11	24.5	XAF/XAUD60G	1275	40.0	28.9	14.00	11.50	40.0	25.6	8.20	6.70	3.58	2.48
THE42B43S	TMLE130D20MP11	24.5	XAFD48F	1425	39.5	30.1	14.50	12.00	39.0	25.2	8.55	7.00	3.74	2.52
THE42B43S	TMLE130D20MP11	24.5	XAHD48F	1400	38.5	28.8	14.00	11.50	37.6	24.6	8.20	6.70	3.58	2.46
THE42B43S	TMLV080C16MP12C	21.0	CF/CM/CU48C	1150	40.0	29.2	14.75	12.20	40.0	25.4	8.20	7.30	3.32	2.60
THE42B43S	TMLV080C16MP12C	21.0	CF/CM/CU48D	1150	40.0	29.2	15.00	12.20	40.0	25.4	8.20	7.30	3.32	2.62
THE42B43S	TMLV100C16MP12C	21.0	CF/CM/CU48C	1150	40.0	29.2	14.75	12.20	40.0	25.4	8.20	7.30	3.32	2.60
THE42B43S	TMLV100C16MP12C	21.0	CF/CM/CU48D	1150	40.0	29.2	15.00	12.20	40.0	25.4	8.20	7.30	3.32	2.62
THE42B43S	TMLV100C16MP12C	21.0	XAF/XAUC48F	1375	39.0	29.3	14.00	11.50	39.5	25.4	8.20	6.45	3.68	2.48
THE42B43S	TMLV100C16MP12C	24.5	XAF/XAUD60G	1200	39.5	28.0	14.00	11.00	40.0	25.6	8.20	6.80	3.54	2.44
THE42B43S	TMLV100C16MP12C	24.5	XAFD48F	1150	38.5	27.5	14.50	12.00	38.5	24.8	8.20	6.55	3.62	2.48
THE42B43S	TMLV100C16MP12C	24.5	XAHD48F	1275	38.0	27.5	14.00	11.50	37.6	24.6	8.20	6.85	3.50	2.44
THE42B43S	TMLV100C20MP12C	21.0	CF/CM/CU48C	1150	40.0	29.2	15.00	12.25	40.0	25.4	8.20	7.25	3.34	2.62
THE42B43S	TMLV100C20MP12C	21.0	CF/CM/CU48D	1150	40.5	29.6	15.00	12.25	40.0	25.2	8.20	7.30	3.34	2.64
THE42B43S	TMLV120C20MP12C	21.0	CF/CM/CU48C	1150	40.0	29.2	15.00	12.25	40.0	25.4	8.20	7.25	3.34	2.62
THE42B43S	TMLV120C20MP12C	21.0	CF/CM/CU48D	1150	40.5	29.6	15.00	12.25	40.0	25.2	8.20	7.30	3.34	2.64
THE42B43S	TMLV120C20MP12C	21.0	XAF/XAUC48F	1300	39.0	28.9	14.50	12.00	39.0	25.0	8.55	7.05	3.70	2.50
THE42B43S	TMLV120C20MP12C	24.5	XAF/XAUD60G	1375	40.0	29.4	14.00	11.50	40.5	25.6	8.20	6.55	3.62	2.48
THE42B43S	TMLV120C20MP12C	24.5	XAFD48F	1325	39.5	29.5	14.50	12.00	39.0	25.0	8.55	7.00	3.72	2.52
THE42B43S	TMLV120C20MP12C	21.0	XAHC48F	1350	38.5	28.5	14.00	11.50	37.6	24.6	8.20	6.75	3.54	2.46
THE42B43S	TMLV120C20MP12C	24.5	XAHD48F	1375	38.5	28.6	14.00	11.50	37.6	24.6	8.20	6.70	3.58	2.48
THE42B43S	TMLV120C20MP12C	21.0	XAHD60G	1325	39.5	29.0	14.00	11.00	39.5	25.0	8.20	6.70	3.58	2.44
THE42B43S	TMLX080C16MP11	21.0	CF/CM/CU48C	1150	40.0	29.2	15.00	12.20	40.0	25.4	8.20	7.30	3.32	2.62
THE42B43S	TMLX080C16MP11	21.0	CF/CM/CU48D	1150	40.0	29.2	15.00	12.20	40.0	25.4	8.20	7.30	3.32	2.62

SYSTEM CAPACITY - With High Efficiency Motor Furnaces¹ (Continued)

UNIT MODEL	FURNACE		COIL MODEL ²	COOLING					HEATING					
	MODEL	WIDTH		RATED CFM	NET MBH		SEER	EER	NET MBH		HSPF Region IV	HSPF Region V	COP	
					TOTAL	SENS.			47°F OD	17°F OD			47°F OD	17°F OD
THE42B43S	TMLX100C16MP11	21.0	CF/CM/CU48C	1150	40.0	29.2	15.00	12.20	40.0	25.4	8.20	7.30	3.32	2.62
THE42B43S	TMLX100C16MP11	21.0	CF/CM/CU48D	1150	40.0	29.2	15.00	12.20	40.0	25.4	8.20	7.30	3.32	2.62
THE42B43S	TMLX100C20MP11	21.0	CF/CM/CU48C	1225	40.5	30.4	15.00	12.25	40.0	25.4	8.20	7.25	3.38	2.62
THE42B43S	TMLX100C20MP11	21.0	CF/CM/CU48D	1250	40.5	30.8	15.25	12.25	40.0	25.2	8.20	7.25	3.40	2.64
THE42B43S	TMLX120C20MP11	21.0	CF/CM/CU48C	1225	40.5	30.4	15.00	12.25	40.0	25.4	8.20	7.25	3.38	2.62
THE42B43S	TMLX120C20MP11	21.0	CF/CM/CU48D	1250	40.5	30.8	15.25	12.25	40.0	25.2	8.20	7.25	3.40	2.64
THE42B43S	TP9C080C16MP13C	21.0	CF/CM/CU48C	1225	40.5	30.2	14.50	11.75	40.5	25.6	8.20	7.30	3.32	2.58
THE42B43S	TP9C080C16MP13C	21.0	CF/CM/CU48D	1225	40.5	30.2	14.50	11.75	40.0	25.6	8.20	7.25	3.34	2.60
THE42B43S	TP9C080C16MP13C	21.0	XAF/XAUC48F	1300	39.0	28.9	14.00	11.50	39.0	25.2	8.20	6.60	3.64	2.46
THE42B43S	TP9C080C16MP13C	24.5	XAFD48F	1300	39.0	28.9	14.00	11.50	39.0	25.2	8.20	6.55	3.64	2.48
THE42B43S	TP9C100C16MP13C	21.0	CF/CM/CU48C	1175	40.0	29.6	15.00	12.20	40.0	25.4	8.20	7.30	3.34	2.62
THE42B43S	TP9C100C16MP13C	21.0	CF/CM/CU48D	1175	40.0	29.6	15.00	12.20	40.0	25.4	8.20	7.25	3.34	2.62
THE42B43S	TP9C100C16MP13C	21.0	XAF/XAUC48F	1175	38.5	27.6	14.50	12.00	38.5	24.8	8.20	6.55	3.64	2.48
THE42B43S	TP9C100C16MP13C	24.5	XAF/XAUD60G	1325	40.0	29.1	14.00	11.00	40.0	25.6	8.20	6.70	3.60	2.48
THE42B43S	TP9C100C16MP13C	24.5	XAFD48F	1175	38.5	27.6	14.50	12.00	38.5	24.8	8.20	6.55	3.66	2.50
THE42B43S	TP9C100C16MP13C	21.0	XAHC48F	1225	38.0	27.2	14.00	11.50	37.0	24.4	8.20	6.85	3.48	2.44
THE42B43S	TP9C100C16MP13C	24.5	XAHD48F	1325	38.5	28.3	14.00	11.50	37.6	24.6	8.20	6.80	3.54	2.46
THE42B43S	TP9C100C20MP13C	21.0	CF/CM/CU48C	1225	40.5	30.4	14.75	12.20	40.0	25.4	8.20	7.25	3.36	2.62
THE42B43S	TP9C100C20MP13C	21.0	CF/CM/CU48D	1225	40.5	30.4	15.00	12.20	40.0	25.4	8.20	7.30	3.36	2.62
THE42B43S	TP9C100C20MP13C	21.0	XAF/XAUC48F	1350	39.0	29.1	14.00	11.50	39.0	25.2	8.20	6.45	3.68	2.48
THE42B43S	TP9C100C20MP13C	24.5	XAF/XAUD60G	1225	39.5	28.1	14.00	11.00	40.0	25.6	8.20	6.75	3.56	2.46
THE42B43S	TP9C100C20MP13C	24.5	XAFD48F	1350	39.0	29.1	14.00	11.50	39.0	25.2	8.20	6.70	3.70	2.50
THE42B43S	TP9C100C20MP13C	24.5	XAHD48F	1275	38.0	27.5	14.00	11.50	37.6	24.4	8.20	6.85	3.52	2.46
THE42B43S	TP9C120D20MP13C	24.5	XAF/XAUD60G	1300	40.0	29.0	14.00	11.50	40.0	25.4	8.20	6.60	3.60	2.48
THE42B43S	TP9C120D20MP13C	24.5	XAFD48F	1300	39.0	28.9	14.50	12.00	39.0	25.0	8.55	7.05	3.72	2.52
THE42B43S	TP9C120D20MP13C	24.5	XAHD48F	1400	38.5	28.8	14.00	11.50	37.6	24.6	8.20	6.65	3.60	2.48
THE42B43S	TP9C120D20MP13C	21.0	XAHD60G	1300	39.5	28.8	14.00	11.00	39.5	24.8	8.20	6.75	3.56	2.42
THE42B43S	TPLC080C16MP13C	21.0	CF/CM/CU48C	1150	40.0	29.2	14.75	12.20	40.0	25.4	8.20	7.30	3.32	2.60
THE42B43S	TPLC080C16MP13C	21.0	CF/CM/CU48D	1150	40.0	29.2	15.00	12.20	40.0	25.4	8.20	7.30	3.32	2.62
THE42B43S	TPLC080C16MP13C	21.0	XAF/XAUC48F	1375	39.0	29.3	14.00	11.50	39.5	25.4	8.20	6.45	3.68	2.48
THE42B43S	TPLC080C16MP13C	24.5	XAF/XAUD60G	1200	39.5	28.0	14.00	11.00	40.0	25.6	8.20	6.80	3.54	2.44
THE42B43S	TPLC080C16MP13C	24.5	XAFD48F	1150	38.5	27.5	14.50	12.00	38.5	24.8	8.20	6.55	3.62	2.48
THE42B43S	TPLC080C16MP13C	24.5	XAHD48F	1275	38.0	27.5	14.00	11.50	37.6	24.6	8.20	6.85	3.50	2.44
THE42B43S	TPLC100C16MP13C	21.0	CF/CM/CU48C	1150	40.0	29.2	14.75	12.20	40.0	25.4	8.20	7.30	3.32	2.60
THE42B43S	TPLC100C16MP13C	21.0	CF/CM/CU48D	1150	40.0	29.2	15.00	12.20	40.0	25.4	8.20	7.30	3.32	2.62
THE42B43S	TPLC100C16MP13C	21.0	XAF/XAUC48F	1375	39.0	29.3	14.00	11.50	39.5	25.4	8.20	6.45	3.68	2.48
THE42B43S	TPLC100C16MP13C	24.5	XAF/XAUD60G	1200	39.5	28.0	14.00	11.00	40.0	25.6	8.20	6.80	3.54	2.44

SYSTEM CAPACITY - With High Efficiency Motor Furnaces¹ (Continued)

UNIT MODEL	FURNACE		COIL MODEL ²	COOLING					HEATING					
	MODEL	WIDTH		RATED CFM	NET MBH		SEER	EER	NET MBH		HSPF Region IV	HSPF Region V	COP	
					TOTAL	SENS.			47°F OD	17°F OD			47°F OD	17°F OD
THE42B43S	TPLC100C16MP13C	24.5	XAFD48F	1150	38.5	27.5	14.50	12.00	38.5	24.8	8.20	6.55	3.62	2.48
THE42B43S	TPLC100C16MP13C	24.5	XAHD48F	1275	38.0	27.5	14.00	11.50	37.6	24.6	8.20	6.85	3.50	2.44
THE42B43S	TPLC100C20MP13C	21.0	CF/CM/CU48C	1150	40.0	29.2	15.00	12.25	40.0	25.4	8.20	7.25	3.34	2.62
THE42B43S	TPLC100C20MP13C	21.0	CF/CM/CU48D	1150	40.5	29.6	15.00	12.25	40.0	25.2	8.20	7.30	3.34	2.64
THE42B43S	TPLC100C20MP13C	21.0	XAF/XAUC48F	1300	39.0	28.9	14.50	12.00	39.0	25.0	8.55	7.05	3.70	2.50
THE42B43S	TPLC100C20MP13C	24.5	XAF/XAUD60G	1375	40.0	29.4	14.00	11.50	40.5	25.6	8.20	6.55	3.62	2.48
THE42B43S	TPLC100C20MP13C	24.5	XAFD48F	1325	39.5	29.5	14.50	12.00	39.0	25.0	8.55	7.00	3.72	2.52
THE42B43S	TPLC100C20MP13C	21.0	XAHC48F	1350	38.5	28.5	14.00	11.50	37.6	24.6	8.20	6.75	3.54	2.46
THE42B43S	TPLC100C20MP13C	24.5	XAHD48F	1375	38.5	28.6	14.00	11.50	37.6	24.6	8.20	6.70	3.58	2.48
THE42B43S	TPLC100C20MP13C	21.0	XAHD60G	1325	39.5	29.0	14.00	11.00	39.5	25.0	8.20	6.70	3.58	2.44
THE42B43S	TPLC120C20MP13C	21.0	CF/CM/CU48C	1150	40.0	29.2	15.00	12.25	40.0	25.4	8.20	7.25	3.34	2.62
THE42B43S	TPLC120C20MP13C	21.0	CF/CM/CU48D	1150	40.5	29.6	15.00	12.25	40.0	25.2	8.20	7.30	3.34	2.64
THE42B43S	TPLC120C20MP13C	21.0	XAF/XAUC48F	1300	39.0	28.9	14.50	12.00	39.0	25.0	8.55	7.05	3.70	2.50
THE42B43S	TPLC120C20MP13C	24.5	XAF/XAUD60G	1375	40.0	29.4	14.00	11.50	40.5	25.6	8.20	6.55	3.62	2.48
THE42B43S	TPLC120C20MP13C	24.5	XAFD48F	1325	39.5	29.5	14.50	12.00	39.0	25.0	8.55	7.00	3.72	2.52
THE42B43S	TPLC120C20MP13C	21.0	XAHC48F	1350	38.5	28.5	14.00	11.50	37.6	24.6	8.20	6.75	3.54	2.46
THE42B43S	TPLC120C20MP13C	24.5	XAHD48F	1375	38.5	28.6	14.00	11.50	37.6	24.6	8.20	6.70	3.58	2.48
THE42B43S	TPLC120C20MP13C	21.0	XAHD60G	1325	39.5	29.0	14.00	11.00	39.5	25.0	8.20	6.70	3.58	2.44
THE42B43S	YP9C080C16MP13C	21.0	CF/CM/CU48C	1225	40.5	30.2	14.50	11.75	40.5	25.6	8.20	7.30	3.32	2.58
THE42B43S	YP9C080C16MP13C	21.0	CF/CM/CU48D	1225	40.5	30.2	14.50	11.75	40.0	25.6	8.20	7.25	3.34	2.60
THE42B43S	YP9C080C16MP13C	21.0	XAF/XAUC48F	1300	39.0	28.9	14.00	11.50	39.0	25.2	8.20	6.60	3.64	2.46
THE42B43S	YP9C080C16MP13C	24.5	XAFD48F	1300	39.0	28.9	14.00	11.50	39.0	25.2	8.20	6.55	3.64	2.48
THE42B43S	YP9C100C16MP13C	21.0	CF/CM/CU48C	1175	40.0	29.6	15.00	12.20	40.0	25.4	8.20	7.30	3.34	2.62
THE42B43S	YP9C100C16MP13C	21.0	CF/CM/CU48D	1175	40.0	29.6	15.00	12.20	40.0	25.4	8.20	7.25	3.34	2.62
THE42B43S	YP9C100C16MP13C	21.0	XAF/XAUC48F	1175	38.5	27.6	14.50	12.00	38.5	24.8	8.20	6.55	3.64	2.48
THE42B43S	YP9C100C16MP13C	24.5	XAF/XAUD60G	1325	40.0	29.1	14.00	11.00	40.0	25.6	8.20	6.70	3.60	2.48
THE42B43S	YP9C100C16MP13C	24.5	XAFD48F	1175	38.5	27.6	14.50	12.00	38.5	24.8	8.20	6.55	3.66	2.50
THE42B43S	YP9C100C16MP13C	21.0	XAHC48F	1225	38.0	27.2	14.00	11.50	37.0	24.4	8.20	6.85	3.48	2.44
THE42B43S	YP9C100C16MP13C	24.5	XAHD48F	1325	38.5	28.3	14.00	11.50	37.6	24.6	8.20	6.80	3.54	2.46
THE42B43S	YP9C100C20MP13C	21.0	CF/CM/CU48C	1225	40.5	30.4	14.75	12.20	40.0	25.4	8.20	7.25	3.36	2.62
THE42B43S	YP9C100C20MP13C	21.0	CF/CM/CU48D	1225	40.5	30.4	15.00	12.20	40.0	25.4	8.20	7.30	3.36	2.62
THE42B43S	YP9C100C20MP13C	21.0	XAF/XAUC48F	1350	39.0	29.1	14.00	11.50	39.0	25.2	8.20	6.45	3.68	2.48
THE42B43S	YP9C100C20MP13C	24.5	XAF/XAUD60G	1225	39.5	28.1	14.00	11.00	40.0	25.6	8.20	6.75	3.56	2.46
THE42B43S	YP9C100C20MP13C	24.5	XAFD48F	1350	39.0	29.1	14.00	11.50	39.0	25.2	8.20	6.70	3.70	2.50
THE42B43S	YP9C100C20MP13C	24.5	XAHD48F	1275	38.0	27.5	14.00	11.50	37.6	24.4	8.20	6.85	3.52	2.46
THE42B43S	YP9C120D20MP13C	24.5	XAF/XAUD60G	1300	40.0	29.0	14.00	11.50	40.0	25.4	8.20	6.60	3.60	2.48
THE42B43S	YP9C120D20MP13C	24.5	XAFD48F	1300	39.0	28.9	14.50	12.00	39.0	25.0	8.55	7.05	3.72	2.52

SYSTEM CAPACITY - With High Efficiency Motor Furnaces¹ (Continued)

UNIT MODEL	FURNACE		COIL MODEL ²	COOLING					HEATING					
	MODEL	WIDTH		RATED CFM	NET MBH		SEER	EER	NET MBH		HSPF Region IV	HSPF Region V	COP	
					TOTAL	SENS.			47°F OD	17°F OD			47°F OD	17°F OD
THE42B43S	YP9C120D20MP13C	24.5	XAHD48F	1400	38.5	28.8	14.00	11.50	37.6	24.6	8.20	6.65	3.60	2.48
THE42B43S	YP9C120D20MP13C	21.0	XAHD60G	1300	39.5	28.8	14.00	11.00	39.5	24.8	8.20	6.75	3.56	2.42
THE42B43S	YPLC080C16MP13C	21.0	CF/CM/CU48C	1150	40.0	29.2	14.75	12.20	40.0	25.4	8.20	7.30	3.32	2.60
THE42B43S	YPLC080C16MP13C	21.0	CF/CM/CU48D	1150	40.0	29.2	15.00	12.20	40.0	25.4	8.20	7.30	3.32	2.62
THE42B43S	YPLC080C16MP13C	21.0	XAF/XAUC48F	1375	39.0	29.3	14.00	11.50	39.5	25.4	8.20	6.45	3.68	2.48
THE42B43S	YPLC080C16MP13C	24.5	XAF/XAUD60G	1200	39.5	28.0	14.00	11.00	40.0	25.6	8.20	6.80	3.54	2.44
THE42B43S	YPLC080C16MP13C	24.5	XAFD48F	1150	38.5	27.5	14.50	12.00	38.5	24.8	8.20	6.55	3.62	2.48
THE42B43S	YPLC080C16MP13C	24.5	XAHD48F	1275	38.0	27.5	14.00	11.50	37.6	24.6	8.20	6.85	3.50	2.44
THE42B43S	YPLC100C16MP13C	21.0	CF/CM/CU48C	1150	40.0	29.2	14.75	12.20	40.0	25.4	8.20	7.30	3.32	2.60
THE42B43S	YPLC100C16MP13C	21.0	CF/CM/CU48D	1150	40.0	29.2	15.00	12.20	40.0	25.4	8.20	7.30	3.32	2.62
THE42B43S	YPLC100C16MP13C	21.0	XAF/XAUC48F	1375	39.0	29.3	14.00	11.50	39.5	25.4	8.20	6.45	3.68	2.48
THE42B43S	YPLC100C16MP13C	24.5	XAF/XAUD60G	1200	39.5	28.0	14.00	11.00	40.0	25.6	8.20	6.80	3.54	2.44
THE42B43S	YPLC100C16MP13C	24.5	XAFD48F	1150	38.5	27.5	14.50	12.00	38.5	24.8	8.20	6.55	3.62	2.48
THE42B43S	YPLC100C16MP13C	24.5	XAHD48F	1275	38.0	27.5	14.00	11.50	37.6	24.6	8.20	6.85	3.50	2.44
THE42B43S	YPLC100C20MP13C	21.0	CF/CM/CU48C	1150	40.0	29.2	15.00	12.25	40.0	25.4	8.20	7.25	3.34	2.62
THE42B43S	YPLC100C20MP13C	21.0	CF/CM/CU48D	1150	40.5	29.6	15.00	12.25	40.0	25.2	8.20	7.30	3.34	2.64
THE42B43S	YPLC100C20MP13C	21.0	XAF/XAUC48F	1300	39.0	28.9	14.50	12.00	39.0	25.0	8.55	7.05	3.70	2.50
THE42B43S	YPLC100C20MP13C	24.5	XAF/XAUD60G	1375	40.0	29.4	14.00	11.50	40.5	25.6	8.20	6.55	3.62	2.48
THE42B43S	YPLC100C20MP13C	24.5	XAFD48F	1325	39.5	29.5	14.50	12.00	39.0	25.0	8.55	7.00	3.72	2.52
THE42B43S	YPLC100C20MP13C	21.0	XAHC48F	1350	38.5	28.5	14.00	11.50	37.6	24.6	8.20	6.75	3.54	2.46
THE42B43S	YPLC100C20MP13C	24.5	XAHD48F	1375	38.5	28.6	14.00	11.50	37.6	24.6	8.20	6.70	3.58	2.48
THE42B43S	YPLC100C20MP13C	21.0	XAHD60G	1325	39.5	29.0	14.00	11.00	39.5	25.0	8.20	6.70	3.58	2.44
THE42B43S	YPLC120C20MP13C	21.0	CF/CM/CU48C	1150	40.0	29.2	15.00	12.25	40.0	25.4	8.20	7.25	3.34	2.62
THE42B43S	YPLC120C20MP13C	21.0	CF/CM/CU48D	1150	40.5	29.6	15.00	12.25	40.0	25.2	8.20	7.30	3.34	2.64
THE42B43S	YPLC120C20MP13C	21.0	XAF/XAUC48F	1300	39.0	28.9	14.50	12.00	39.0	25.0	8.55	7.05	3.70	2.50
THE42B43S	YPLC120C20MP13C	24.5	XAF/XAUD60G	1375	40.0	29.4	14.00	11.50	40.5	25.6	8.20	6.55	3.62	2.48
THE42B43S	YPLC120C20MP13C	24.5	XAFD48F	1325	39.5	29.5	14.50	12.00	39.0	25.0	8.55	7.00	3.72	2.52
THE42B43S	YPLC120C20MP13C	21.0	XAHC48F	1350	38.5	28.5	14.00	11.50	37.6	24.6	8.20	6.75	3.54	2.46
THE42B43S	YPLC120C20MP13C	24.5	XAHD48F	1375	38.5	28.6	14.00	11.50	37.6	24.6	8.20	6.70	3.58	2.48
THE42B43S	YPLC120C20MP13C	21.0	XAHD60G	1325	39.5	29.0	14.00	11.00	39.5	25.0	8.20	6.70	3.58	2.44
THE48B31S	TL8E080C16UH11	24.5	XAF/XAUD60G	1550	45.5	33.1	14.00	11.50	47.5	32.0	9.00	7.50	3.74	2.70
THE48B31S	TL8E100C20UH11	24.5	XAF/XAUD60G	1400	45.5	32.4	14.50	12.00	46.5	31.6	9.00	7.35	3.78	2.78
THE48B31S	TL8E100C20UH11	21.0	XAHD60G	1575	45.5	33.7	14.00	11.50	47.0	31.8	9.00	7.45	3.76	2.72
THE48B31S	TL9E080C16UH11	24.5	XAF/XAUD60G	1400	45.0	31.9	14.00	11.50	47.0	32.0	9.00	7.35	3.70	2.72
THE48B31S	TL9E100C20UH11	24.5	XAF/XAUD60G	1400	45.5	32.4	14.00	12.00	46.5	31.6	9.00	7.40	3.76	2.76
THE48B31S	TL9E100C20UH11	21.0	XAHD60G	1575	45.5	33.7	14.00	11.50	47.0	31.8	9.00	7.50	3.74	2.72
THE48B31S	TM8E080C16MP11	24.5	XAF/XAUD60G	1575	45.5	33.2	14.00	11.50	47.5	32.0	9.00	7.40	3.76	2.72

SYSTEM CAPACITY - With High Efficiency Motor Furnaces¹ (Continued)

UNIT MODEL	FURNACE		COIL MODEL ²	COOLING					HEATING					
	MODEL	WIDTH		RATED CFM	NET MBH		SEER	EER	NET MBH		HSPF Region IV	HSPF Region V	COP	
					TOTAL	SENS.			47°F OD	17°F OD			47°F OD	17°F OD
THE48B31S	TM8E080C20MP11	24.5	XAF/XAUD60G	1450	45.5	32.7	14.00	12.00	46.5	31.6	9.00	7.30	3.78	2.76
THE48B31S	TM8E080C20MP11	21.0	XAHD60G	1425	45.5	32.9	14.00	11.50	46.5	31.2	9.00	7.50	3.74	2.72
THE48B31S	TM8E100C16MP11	24.5	XAF/XAUD60G	1575	45.5	33.2	14.00	11.50	47.5	32.0	9.00	7.40	3.76	2.72
THE48B31S	TM8E100C20MP11	24.5	XAF/XAUD60G	1425	45.5	32.5	14.00	12.00	46.5	31.6	9.00	7.40	3.78	2.76
THE48B31S	TM8E100C20MP11	21.0	XAHD60G	1400	45.0	32.3	14.00	11.50	46.5	31.2	9.00	7.30	3.72	2.72
THE48B31S	TM8E120C16MP11	24.5	XAF/XAUD60G	1575	45.5	33.2	14.00	11.50	47.5	32.0	9.00	7.40	3.76	2.72
THE48B31S	TM8E120C20MP11	24.5	XAF/XAUD60G	1425	45.5	32.5	14.50	12.00	46.5	31.6	9.00	7.30	3.78	2.76
THE48B31S	TM8E120C20MP11	21.0	XAHD60G	1400	45.0	32.3	14.00	11.50	46.0	31.2	9.00	7.30	3.72	2.72
THE48B31S	TM8E130D20MP11	24.5	XAF/XAUD60G	1400	45.5	32.4	14.50	12.00	46.5	31.6	9.00	7.40	3.78	2.76
THE48B31S	TM8E130D20MP11	21.0	XAHD60G	1600	46.0	34.4	14.00	11.50	47.0	31.8	9.00	7.45	3.78	2.72
THE48B31S	TM8V080C16MP12C	24.5	XAF/XAUD60G	1425	45.0	32.0	14.00	11.50	47.0	31.8	9.00	7.45	3.74	2.74
THE48B31S	TM8V080C16MP12C	21.0	XAHD60G	1425	45.0	32.4	14.00	11.50	46.5	31.4	9.00	7.35	3.70	2.70
THE48B31S	TM8V100C16MP11	21.0	CF/CM/CU48C	1325	45.5	30.8	14.00	11.75	47.5	31.4	9.00	7.82	3.50	2.60
THE48B31S	TM8V100C16MP11	21.0	CF/CM/CU48D	1300	45.5	30.6	14.25	11.75	47.5	31.4	9.00	7.82	3.50	2.60
THE48B31S	TM8V100C16MP11	21.0	CF/CM/CU60C	1325	46.5	31.2	14.50	12.00	47.5	31.2	9.00	7.82	3.50	2.58
THE48B31S	TM8V100C16MP12C	24.5	XAF/XAUD60G	1425	45.0	32.0	14.00	11.50	47.0	31.8	9.00	7.45	3.74	2.74
THE48B31S	TM8V100C16MP12C	21.0	XAHD60G	1425	45.0	32.4	14.00	11.50	46.5	31.4	9.00	7.35	3.70	2.70
THE48B31S	TM8V100C20MP12C	24.5	XAF/XAUD60G	1425	45.5	32.5	14.00	12.00	46.5	31.6	9.00	7.35	3.78	2.78
THE48B31S	TM8V100C20MP12C	21.0	XAHD60G	1425	45.5	32.9	14.00	11.50	46.5	31.2	9.00	7.50	3.74	2.74
THE48B31S	TM8V120C20MP11	21.0	CF/CM/CU48C	1300	45.5	30.6	14.00	11.75	47.5	31.4	9.00	7.82	3.50	2.60
THE48B31S	TM8V120C20MP11	21.0	CF/CM/CU60C	1400	46.5	32.0	14.25	12.00	48.0	31.4	9.00	7.82	3.54	2.60
THE48B31S	TM8V120C20MP11	21.0	CF/CM/CU60D	1350	46.5	32.0	14.25	12.00	47.5	31.4	9.00	7.82	3.56	2.60
THE48B31S	TM8V120C20MP12C	24.5	XAF/XAUD60G	1425	45.5	32.5	14.00	12.00	46.5	31.6	9.00	7.35	3.78	2.78
THE48B31S	TM8V120C20MP12C	21.0	XAHD60G	1425	45.5	32.9	14.00	11.50	46.5	31.2	9.00	7.50	3.74	2.74
THE48B31S	TM8X100C16MP11	21.0	CF/CM/CU48C	1400	46.0	31.6	14.00	11.75	48.0	31.6	9.00	7.82	3.54	2.62
THE48B31S	TM8X100C16MP11	21.0	CF/CM/CU48D	1400	46.0	31.6	14.00	11.75	48.0	31.6	9.00	7.82	3.54	2.60
THE48B31S	TM8X100C16MP11	21.0	CF/CM/CU60C	1400	46.5	32.0	14.25	12.00	48.0	31.4	9.00	7.82	3.54	2.60
THE48B31S	TM8X100C16MP11	21.0	CF/CM/CU60D	1400	46.5	32.0	14.25	12.00	48.0	31.4	9.00	7.82	3.54	2.60
THE48B31S	TM8X120C20MP11	21.0	CF/CM/CU48C	1400	46.0	31.8	14.00	11.75	48.0	31.6	9.00	7.82	3.56	2.62
THE48B31S	TM8X120C20MP11	21.0	CF/CM/CU48D	1400	46.0	31.8	14.00	11.75	48.0	31.6	9.00	7.82	3.56	2.62
THE48B31S	TM8X120C20MP11	21.0	CF/CM/CU60C	1400	46.5	32.0	14.25	12.00	47.5	31.4	9.00	7.82	3.54	2.60
THE48B31S	TM8X120C20MP11	21.0	CF/CM/CU60D	1400	46.5	32.0	14.25	12.00	47.5	31.4	9.00	7.82	3.54	2.60
THE48B31S	TM8Y080C16MP11	24.5	XAF/XAUD60G	1550	45.5	33.1	14.00	11.50	47.5	32.0	9.00	7.50	3.74	2.72
THE48B31S	TM8Y100C16MP11	21.0	CF/CM/CU48C	1400	46.0	31.6	14.00	11.75	48.0	31.6	9.00	7.82	3.54	2.62
THE48B31S	TM8Y100C16MP11	21.0	CF/CM/CU48D	1400	46.0	31.6	14.00	11.75	48.0	31.6	9.00	7.82	3.54	2.60
THE48B31S	TM8Y100C16MP11	21.0	CF/CM/CU60C	1400	46.5	32.0	14.25	12.00	48.0	31.4	9.00	7.82	3.54	2.60
THE48B31S	TM8Y100C16MP11	21.0	CF/CM/CU60D	1400	46.5	32.0	14.25	12.00	48.0	31.4	9.00	7.82	3.54	2.60

SYSTEM CAPACITY - With High Efficiency Motor Furnaces¹ (Continued)

UNIT MODEL	FURNACE		COIL MODEL ²	COOLING					HEATING					
	MODEL	WIDTH		RATED CFM	NET MBH		SEER	EER	NET MBH		HSPF Region IV	HSPF Region V	COP	
					TOTAL	SENS.			47°F OD	17°F OD			47°F OD	17°F OD
THE48B31S	TM8Y100C16MP11	24.5	XAF/XAUD60G	1550	45.5	33.1	14.00	11.50	47.5	32.0	9.00	7.50	3.74	2.72
THE48B31S	TM8Y100C20MP11	24.5	XAF/XAUD60G	1550	46.0	33.6	14.00	11.50	47.0	31.8	9.00	7.40	3.80	2.74
THE48B31S	TM8Y100C20MP11	21.0	XAHD60G	1525	45.5	33.5	14.00	11.50	47.0	31.6	9.00	7.50	3.76	2.72
THE48B31S	TM8Y120C20MP11	21.0	CF/CM/CU48C	1400	46.0	31.8	14.00	11.75	48.0	31.6	9.00	7.82	3.56	2.62
THE48B31S	TM8Y120C20MP11	21.0	CF/CM/CU48D	1400	46.0	31.8	14.00	11.75	48.0	31.6	9.00	7.82	3.56	2.62
THE48B31S	TM8Y120C20MP11	21.0	CF/CM/CU60C	1400	46.5	32.0	14.25	12.00	47.5	31.4	9.00	7.82	3.54	2.60
THE48B31S	TM8Y120C20MP11	21.0	CF/CM/CU60D	1400	46.5	32.0	14.25	12.00	47.5	31.4	9.00	7.82	3.54	2.60
THE48B31S	TM8Y120C20MP11	24.5	XAF/XAUD60G	1550	46.0	33.6	14.00	11.50	47.0	31.8	9.00	7.40	3.80	2.74
THE48B31S	TM8Y120C20MP11	21.0	XAHD60G	1525	45.5	33.5	14.00	11.50	47.0	31.6	9.00	7.50	3.76	2.72
THE48B31S	TM9E080C20MP12	24.5	XAF/XAUD60G	1400	45.5	32.4	14.00	12.00	46.5	31.6	9.00	7.40	3.76	2.76
THE48B31S	TM9E080C20MP12	21.0	XAHD60G	1475	45.5	33.2	14.00	11.50	46.5	31.4	9.00	7.50	3.74	2.72
THE48B31S	TM9E100C16MP11	21.0	CF/CM/CU48C	1325	45.5	30.8	14.00	11.75	47.5	31.6	9.00	7.82	3.48	2.58
THE48B31S	TM9E100C16MP11	21.0	CF/CM/CU60C	1325	46.0	31.0	14.25	11.75	47.5	31.4	9.00	7.82	3.48	2.56
THE48B31S	TM9E100C16MP11	21.0	CF/CM/CU60D	1325	46.0	31.0	14.25	11.75	47.5	31.4	9.00	7.82	3.48	2.58
THE48B31S	TM9E100C20MP11	21.0	CF/CM/CU48C	1400	46.0	31.8	14.00	11.75	48.0	31.6	9.00	7.82	3.54	2.62
THE48B31S	TM9E100C20MP11	21.0	CF/CM/CU48D	1400	46.0	31.6	14.00	11.75	48.0	31.6	9.00	7.82	3.54	2.62
THE48B31S	TM9E100C20MP11	21.0	CF/CM/CU60C	1400	46.5	32.0	14.25	12.00	47.5	31.4	9.00	7.82	3.54	2.60
THE48B31S	TM9E100C20MP11	21.0	CF/CM/CU60D	1400	46.5	32.0	14.25	12.00	47.5	31.4	9.00	7.82	3.54	2.60
THE48B31S	TM9E100C20MP12	24.5	XAF/XAUD60G	1400	45.5	32.4	14.50	12.00	46.5	31.6	9.00	7.40	3.78	2.76
THE48B31S	TM9E100C20MP12	21.0	XAHD60G	1500	45.5	33.3	14.00	11.50	46.5	31.4	9.00	7.40	3.76	2.72
THE48B31S	TM9E120D20MP11	24.5	CF/CM/CU48D	1400	46.0	31.8	14.25	11.75	48.0	31.6	9.00	7.82	3.56	2.62
THE48B31S	TM9E120D20MP11	24.5	CF/CM/CU60D	1400	47.0	32.2	14.50	12.00	47.5	31.4	9.00	7.82	3.56	2.62
THE48B31S	TM9E120D20MP12	24.5	XAF/XAUD60G	1425	45.5	32.5	14.00	11.50	46.5	31.8	9.00	7.40	3.76	2.76
THE48B31S	TM9E120D20MP12	21.0	XAHD60G	1400	45.0	32.3	14.00	11.50	46.5	31.2	9.00	7.30	3.70	2.72
THE48B31S	TM9V100C16MP11	21.0	CF/CM/CU48C	1425	46.0	31.6	14.00	11.75	48.0	31.8	9.00	7.82	3.52	2.60
THE48B31S	TM9V100C16MP11	21.0	CF/CM/CU48D	1425	46.0	31.8	14.25	12.00	47.5	31.4	9.00	7.82	3.58	2.64
THE48B31S	TM9V100C16MP11	21.0	CF/CM/CU60C	1450	46.5	32.0	14.00	11.75	48.0	31.6	8.75	7.60	3.50	2.56
THE48B31S	TM9V100C16MP12C	24.5	XAF/XAUD60G	1425	45.0	32.0	14.00	11.50	47.0	31.8	9.00	7.40	3.76	2.76
THE48B31S	TM9V100C16MP12C	21.0	XAHD60G	1425	45.0	32.4	14.00	11.50	46.5	31.4	9.00	7.30	3.72	2.70
THE48B31S	TM9V100C20MP11	21.0	CF/CM/CU48C	1275	45.5	30.2	14.00	11.75	47.5	31.4	9.00	7.82	3.46	2.58
THE48B31S	TM9V100C20MP11	21.0	CF/CM/CU48D	1300	45.5	30.6	14.25	11.75	47.5	31.4	9.00	7.82	3.50	2.60
THE48B31S	TM9V100C20MP11	21.0	CF/CM/CU60C	1450	46.5	31.8	14.00	11.75	48.0	31.6	8.75	7.60	3.50	2.56
THE48B31S	TM9V100C20MP12C	24.5	XAF/XAUD60G	1475	45.5	32.8	14.00	11.50	47.0	31.8	9.00	7.35	3.76	2.74
THE48B31S	TM9V100C20MP12C	21.0	XAHD60G	1475	45.0	32.7	14.00	11.50	46.5	31.6	9.00	7.30	3.72	2.70
THE48B31S	TM9V120D20MP11	24.5	CF/CM/CU60D	1425	46.5	32.2	14.25	12.00	47.5	31.4	9.00	7.82	3.56	2.60
THE48B31S	TM9V120D20MP12C	24.5	XAF/XAUD60G	1400	45.5	32.4	14.50	12.00	46.5	31.6	9.00	7.35	3.78	2.78
THE48B31S	TM9V120D20MP12C	21.0	XAHD60G	1400	45.0	32.3	14.00	11.50	46.0	31.0	9.00	7.50	3.74	2.74

SYSTEM CAPACITY - With High Efficiency Motor Furnaces¹ (Continued)

UNIT MODEL	FURNACE		COIL MODEL ²	COOLING					HEATING					
	MODEL	WIDTH		RATED CFM	NET MBH		SEER	EER	NET MBH		HSPF Region IV	HSPF Region V	COP	
					TOTAL	SENS.			47°F OD	17°F OD			47°F OD	17°F OD
THE48B31S	TM9Y100C16MP11	21.0	CF/CM/CU48C	1325	45.5	30.8	14.00	11.75	47.5	31.6	9.00	7.82	3.48	2.58
THE48B31S	TM9Y100C16MP11	21.0	CF/CM/CU60C	1325	46.0	31.0	14.25	11.75	47.5	31.4	9.00	7.82	3.48	2.56
THE48B31S	TM9Y100C16MP11	21.0	CF/CM/CU60D	1325	46.0	31.0	14.25	11.75	47.5	31.4	9.00	7.82	3.48	2.58
THE48B31S	TM9Y100C16MP11	24.5	XAF/XAUD60G	1400	45.0	31.9	14.00	11.50	47.0	32.0	9.00	7.35	3.70	2.72
THE48B31S	TM9Y100C20MP11	21.0	CF/CM/CU48C	1400	46.0	31.8	14.00	11.75	48.0	31.6	9.00	7.82	3.54	2.62
THE48B31S	TM9Y100C20MP11	21.0	CF/CM/CU48D	1400	46.0	31.6	14.00	11.75	48.0	31.6	9.00	7.82	3.54	2.62
THE48B31S	TM9Y100C20MP11	21.0	CF/CM/CU60C	1400	46.5	32.0	14.25	12.00	47.5	31.4	9.00	7.82	3.54	2.60
THE48B31S	TM9Y100C20MP11	21.0	CF/CM/CU60D	1400	46.5	32.0	14.25	12.00	47.5	31.4	9.00	7.82	3.54	2.60
THE48B31S	TM9Y100C20MP11	24.5	XAF/XAUD60G	1550	45.5	33.1	14.00	11.50	47.5	32.0	9.00	7.40	3.76	2.72
THE48B31S	TM9Y120D20MP11	24.5	CF/CM/CU48D	1400	46.0	31.8	14.25	11.75	48.0	31.6	9.00	7.82	3.56	2.62
THE48B31S	TM9Y120D20MP11	24.5	CF/CM/CU60D	1400	47.0	32.2	14.50	12.00	47.5	31.4	9.00	7.82	3.56	2.62
THE48B31S	TM9Y120D20MP11	24.5	XAF/XAUD60G	1575	45.5	33.2	14.00	11.50	47.5	31.8	9.00	7.35	3.80	2.74
THE48B31S	TM9Y120D20MP11	21.0	XAHD60G	1550	45.5	33.6	14.00	11.50	47.0	31.8	9.00	7.50	3.74	2.72
THE48B31S	TMLE080C16MP11	24.5	XAF/XAUD60G	1575	45.5	33.2	14.00	11.50	47.5	32.0	9.00	7.40	3.76	2.72
THE48B31S	TMLE080C20MP11	24.5	XAF/XAUD60G	1450	45.5	32.7	14.00	12.00	46.5	31.6	9.00	7.30	3.78	2.76
THE48B31S	TMLE080C20MP11	21.0	XAHD60G	1425	45.5	32.9	14.00	11.50	46.5	31.2	9.00	7.50	3.74	2.72
THE48B31S	TMLE100C16MP11	24.5	XAF/XAUD60G	1575	45.5	33.2	14.00	11.50	47.5	32.0	9.00	7.40	3.76	2.72
THE48B31S	TMLE100C20MP11	24.5	XAF/XAUD60G	1425	45.5	32.5	14.00	12.00	46.5	31.6	9.00	7.40	3.78	2.76
THE48B31S	TMLE100C20MP11	21.0	XAHD60G	1400	45.0	32.3	14.00	11.50	46.5	31.2	9.00	7.30	3.72	2.72
THE48B31S	TMLE120C16MP11	24.5	XAF/XAUD60G	1575	45.5	33.2	14.00	11.50	47.5	32.0	9.00	7.40	3.76	2.72
THE48B31S	TMLE120C20MP11	24.5	XAF/XAUD60G	1425	45.5	32.5	14.50	12.00	46.5	31.6	9.00	7.30	3.78	2.76
THE48B31S	TMLE120C20MP11	21.0	XAHD60G	1400	45.0	32.3	14.00	11.50	46.0	31.2	9.00	7.30	3.72	2.72
THE48B31S	TMLE130D20MP11	24.5	XAF/XAUD60G	1400	45.5	32.4	14.50	12.00	46.5	31.6	9.00	7.40	3.78	2.76
THE48B31S	TMLE130D20MP11	21.0	XAHD60G	1600	46.0	34.4	14.00	11.50	47.0	31.8	9.00	7.45	3.78	2.72
THE48B31S	TMLV100C16MP11	21.0	CF/CM/CU48C	1325	45.5	30.8	14.00	11.75	47.5	31.4	9.00	7.82	3.50	2.60
THE48B31S	TMLV100C16MP11	21.0	CF/CM/CU48D	1300	45.5	30.6	14.25	11.75	47.5	31.4	9.00	7.82	3.50	2.60
THE48B31S	TMLV100C16MP11	21.0	CF/CM/CU60C	1325	46.5	31.2	14.50	12.00	47.5	31.2	9.00	7.82	3.50	2.58
THE48B31S	TMLV100C16MP12C	24.5	XAF/XAUD60G	1425	45.0	32.0	14.00	11.50	47.0	31.8	9.00	7.45	3.74	2.74
THE48B31S	TMLV100C16MP12C	21.0	XAHD60G	1425	45.0	32.4	14.00	11.50	46.5	31.4	9.00	7.35	3.70	2.70
THE48B31S	TMLV120C20MP11	21.0	CF/CM/CU48C	1300	45.5	30.6	14.00	11.75	47.5	31.4	9.00	7.82	3.50	2.60
THE48B31S	TMLV120C20MP11	21.0	CF/CM/CU60C	1400	46.5	32.0	14.25	12.00	48.0	31.4	9.00	7.82	3.54	2.60
THE48B31S	TMLV120C20MP11	21.0	CF/CM/CU60D	1350	46.5	32.0	14.25	12.00	47.5	31.4	9.00	7.82	3.56	2.60
THE48B31S	TMLV120C20MP12C	24.5	XAF/XAUD60G	1425	45.5	32.5	14.00	12.00	46.5	31.6	9.00	7.35	3.78	2.78
THE48B31S	TMLV120C20MP12C	21.0	XAHD60G	1425	45.5	32.9	14.00	11.50	46.5	31.2	9.00	7.50	3.74	2.74
THE48B31S	TMLX100C16MP11	21.0	CF/CM/CU48C	1400	46.0	31.6	14.00	11.75	48.0	31.6	9.00	7.82	3.54	2.62
THE48B31S	TMLX100C16MP11	21.0	CF/CM/CU48D	1400	46.0	31.6	14.00	11.75	48.0	31.6	9.00	7.82	3.54	2.60
THE48B31S	TMLX100C16MP11	21.0	CF/CM/CU60C	1400	46.5	32.0	14.25	12.00	48.0	31.4	9.00	7.82	3.54	2.60

SYSTEM CAPACITY - With High Efficiency Motor Furnaces¹ (Continued)

UNIT MODEL	FURNACE		COIL MODEL ²	COOLING					HEATING					
	MODEL	WIDTH		RATED CFM	NET MBH		SEER	EER	NET MBH		HSPF Region IV	HSPF Region V	COP	
					TOTAL	SENS.			47°F OD	17°F OD			47°F OD	17°F OD
THE48B31S	TMLX100C16MP11	21.0	CF/CM/CU60D	1400	46.5	32.0	14.25	12.00	48.0	31.4	9.00	7.82	3.54	2.60
THE48B31S	TMLX120C20MP11	21.0	CF/CM/CU48C	1400	46.0	31.8	14.00	11.75	48.0	31.6	9.00	7.82	3.56	2.62
THE48B31S	TMLX120C20MP11	21.0	CF/CM/CU48D	1400	46.0	31.8	14.00	11.75	48.0	31.6	9.00	7.82	3.56	2.62
THE48B31S	TMLX120C20MP11	21.0	CF/CM/CU60C	1400	46.5	32.0	14.25	12.00	47.5	31.4	9.00	7.82	3.54	2.60
THE48B31S	TMLX120C20MP11	21.0	CF/CM/CU60D	1400	46.5	32.0	14.25	12.00	47.5	31.4	9.00	7.82	3.54	2.60
THE48B31S	TP9C100C16MP11	21.0	CF/CM/CU48C	1425	46.0	31.6	14.00	11.75	48.0	31.8	9.00	7.82	3.52	2.60
THE48B31S	TP9C100C16MP11	21.0	CF/CM/CU48D	1425	46.0	31.8	14.25	12.00	47.5	31.4	9.00	7.82	3.58	2.64
THE48B31S	TP9C100C16MP11	21.0	CF/CM/CU60C	1450	46.5	32.0	14.00	11.75	48.0	31.6	8.75	7.60	3.50	2.56
THE48B31S	TP9C100C16MP13C	24.5	XAF/XAUD60G	1425	45.0	32.0	14.00	11.50	47.0	31.8	9.00	7.40	3.76	2.76
THE48B31S	TP9C100C16MP13C	21.0	XAHD60G	1425	45.0	32.4	14.00	11.50	46.5	31.4	9.00	7.30	3.72	2.70
THE48B31S	TP9C100C20MP11	21.0	CF/CM/CU48C	1275	45.5	30.2	14.00	11.75	47.5	31.4	9.00	7.82	3.46	2.58
THE48B31S	TP9C100C20MP11	21.0	CF/CM/CU48D	1300	45.5	30.6	14.25	11.75	47.5	31.4	9.00	7.82	3.50	2.60
THE48B31S	TP9C100C20MP11	21.0	CF/CM/CU60C	1450	46.5	31.8	14.00	11.75	48.0	31.6	8.75	7.60	3.50	2.56
THE48B31S	TP9C100C20MP13C	24.5	XAF/XAUD60G	1475	45.5	32.8	14.00	11.50	47.0	31.8	9.00	7.35	3.76	2.74
THE48B31S	TP9C100C20MP13C	21.0	XAHD60G	1475	45.0	32.7	14.00	11.50	46.5	31.6	9.00	7.30	3.72	2.70
THE48B31S	TP9C120D20MP11	24.5	CF/CM/CU60D	1425	46.5	32.2	14.25	12.00	47.5	31.4	9.00	7.82	3.56	2.60
THE48B31S	TP9C120D20MP13C	24.5	XAF/XAUD60G	1400	45.5	32.4	14.50	12.00	46.5	31.6	9.00	7.35	3.78	2.78
THE48B31S	TP9C120D20MP13C	21.0	XAHD60G	1400	45.0	32.3	14.00	11.50	46.0	31.0	9.00	7.50	3.74	2.74
THE48B31S	TPLC080C16MP13C	24.5	XAF/XAUD60G	1425	45.0	32.0	14.00	11.50	47.0	31.8	9.00	7.45	3.74	2.74
THE48B31S	TPLC080C16MP13C	21.0	XAHD60G	1425	45.0	32.4	14.00	11.50	46.5	31.4	9.00	7.35	3.70	2.70
THE48B31S	TPLC100C16MP11	21.0	CF/CM/CU48C	1325	45.5	30.8	14.00	11.75	47.5	31.4	9.00	7.82	3.50	2.60
THE48B31S	TPLC100C16MP11	21.0	CF/CM/CU48D	1300	45.5	30.6	14.25	11.75	47.5	31.4	9.00	7.82	3.50	2.60
THE48B31S	TPLC100C16MP11	21.0	CF/CM/CU60C	1325	46.5	31.2	14.50	12.00	47.5	31.2	9.00	7.82	3.50	2.58
THE48B31S	TPLC100C16MP13C	24.5	XAF/XAUD60G	1425	45.0	32.0	14.00	11.50	47.0	31.8	9.00	7.45	3.74	2.74
THE48B31S	TPLC100C16MP13C	21.0	XAHD60G	1425	45.0	32.4	14.00	11.50	46.5	31.4	9.00	7.35	3.70	2.70
THE48B31S	TPLC100C20MP13C	24.5	XAF/XAUD60G	1425	45.5	32.5	14.00	12.00	46.5	31.6	9.00	7.35	3.78	2.78
THE48B31S	TPLC100C20MP13C	21.0	XAHD60G	1425	45.5	32.9	14.00	11.50	46.5	31.2	9.00	7.50	3.74	2.74
THE48B31S	TPLC120C20MP11	21.0	CF/CM/CU48C	1300	45.5	30.6	14.00	11.75	47.5	31.4	9.00	7.82	3.50	2.60
THE48B31S	TPLC120C20MP11	21.0	CF/CM/CU60C	1400	46.5	32.0	14.25	12.00	48.0	31.4	9.00	7.82	3.54	2.60
THE48B31S	TPLC120C20MP11	21.0	CF/CM/CU60D	1350	46.5	32.0	14.25	12.00	47.5	31.4	9.00	7.82	3.56	2.60
THE48B31S	TPLC120C20MP13C	24.5	XAF/XAUD60G	1425	45.5	32.5	14.00	12.00	46.5	31.6	9.00	7.35	3.78	2.78
THE48B31S	TPLC120C20MP13C	21.0	XAHD60G	1425	45.5	32.9	14.00	11.50	46.5	31.2	9.00	7.50	3.74	2.74
THE48B31S	YP9C100C16MP11	21.0	CF/CM/CU48C	1425	46.0	31.6	14.00	11.75	48.0	31.8	9.00	7.82	3.52	2.60
THE48B31S	YP9C100C16MP11	21.0	CF/CM/CU48D	1425	46.0	31.8	14.25	12.00	47.5	31.4	9.00	7.82	3.58	2.64
THE48B31S	YP9C100C16MP11	21.0	CF/CM/CU60C	1450	46.5	32.0	14.00	11.75	48.0	31.6	8.75	7.60	3.50	2.56
THE48B31S	YP9C100C16MP13C	24.5	XAF/XAUD60G	1425	45.0	32.0	14.00	11.50	47.0	31.8	9.00	7.40	3.76	2.76
THE48B31S	YP9C100C16MP13C	21.0	XAHD60G	1425	45.0	32.4	14.00	11.50	46.5	31.4	9.00	7.30	3.72	2.70

SYSTEM CAPACITY - With High Efficiency Motor Furnaces¹ (Continued)

UNIT MODEL	FURNACE		COIL MODEL ²	COOLING					HEATING					
	MODEL	WIDTH		RATED CFM	NET MBH		SEER	EER	NET MBH		HSPF Region IV	HSPF Region V	COP	
					TOTAL	SENS.			47°F OD	17°F OD			47°F OD	17°F OD
THE48B31S	YP9C100C20MP11	21.0	CF/CM/CU48C	1275	45.5	30.2	14.00	11.75	47.5	31.4	9.00	7.82	3.46	2.58
THE48B31S	YP9C100C20MP11	21.0	CF/CM/CU48D	1300	45.5	30.6	14.25	11.75	47.5	31.4	9.00	7.82	3.50	2.60
THE48B31S	YP9C100C20MP11	21.0	CF/CM/CU60C	1450	46.5	31.8	14.00	11.75	48.0	31.6	8.75	7.60	3.50	2.56
THE48B31S	YP9C100C20MP13C	24.5	XAF/XAUD60G	1475	45.5	32.8	14.00	11.50	47.0	31.8	9.00	7.35	3.76	2.74
THE48B31S	YP9C100C20MP13C	21.0	XAHD60G	1475	45.0	32.7	14.00	11.50	46.5	31.6	9.00	7.30	3.72	2.70
THE48B31S	YP9C120D20MP11	24.5	CF/CM/CU60D	1425	46.5	32.2	14.25	12.00	47.5	31.4	9.00	7.82	3.56	2.60
THE48B31S	YP9C120D20MP13C	24.5	XAF/XAUD60G	1400	45.5	32.4	14.50	12.00	46.5	31.6	9.00	7.35	3.78	2.78
THE48B31S	YP9C120D20MP13C	21.0	XAHD60G	1400	45.0	32.3	14.00	11.50	46.0	31.0	9.00	7.50	3.74	2.74
THE48B31S	YPLC080C16MP13C	24.5	XAF/XAUD60G	1425	45.0	32.0	14.00	11.50	47.0	31.8	9.00	7.45	3.74	2.74
THE48B31S	YPLC080C16MP13C	21.0	XAHD60G	1425	45.0	32.4	14.00	11.50	46.5	31.4	9.00	7.35	3.70	2.70
THE48B31S	YPLC100C16MP11	21.0	CF/CM/CU48C	1325	45.5	30.8	14.00	11.75	47.5	31.4	9.00	7.82	3.50	2.60
THE48B31S	YPLC100C16MP11	21.0	CF/CM/CU48D	1300	45.5	30.6	14.25	11.75	47.5	31.4	9.00	7.82	3.50	2.60
THE48B31S	YPLC100C16MP11	21.0	CF/CM/CU60C	1325	46.5	31.2	14.50	12.00	47.5	31.2	9.00	7.82	3.50	2.58
THE48B31S	YPLC100C16MP13C	24.5	XAF/XAUD60G	1425	45.0	32.0	14.00	11.50	47.0	31.8	9.00	7.45	3.74	2.74
THE48B31S	YPLC100C16MP13C	21.0	XAHD60G	1425	45.0	32.4	14.00	11.50	46.5	31.4	9.00	7.35	3.70	2.70
THE48B31S	YPLC100C20MP13C	24.5	XAF/XAUD60G	1425	45.5	32.5	14.00	12.00	46.5	31.6	9.00	7.35	3.78	2.78
THE48B31S	YPLC100C20MP13C	21.0	XAHD60G	1425	45.5	32.9	14.00	11.50	46.5	31.2	9.00	7.50	3.74	2.74
THE48B31S	YPLC120C20MP11	21.0	CF/CM/CU48C	1300	45.5	30.6	14.00	11.75	47.5	31.4	9.00	7.82	3.50	2.60
THE48B31S	YPLC120C20MP11	21.0	CF/CM/CU60C	1400	46.5	32.0	14.25	12.00	48.0	31.4	9.00	7.82	3.54	2.60
THE48B31S	YPLC120C20MP11	21.0	CF/CM/CU60D	1350	46.5	32.0	14.25	12.00	47.5	31.4	9.00	7.82	3.56	2.60
THE48B31S	YPLC120C20MP13C	24.5	XAF/XAUD60G	1425	45.5	32.5	14.00	12.00	46.5	31.6	9.00	7.35	3.78	2.78
THE48B31S	YPLC120C20MP13C	21.0	XAHD60G	1425	45.5	32.9	14.00	11.50	46.5	31.2	9.00	7.50	3.74	2.74
THE48B41S	TL8E080C16UH11	24.5	XAF/XAUD60G	1550	45.5	33.1	14.00	11.50	47.5	32.0	9.00	7.50	3.74	2.70
THE48B41S	TL8E100C20UH11	24.5	XAF/XAUD60G	1400	45.5	32.4	14.50	12.00	46.5	31.6	9.00	7.35	3.78	2.78
THE48B41S	TL8E100C20UH11	21.0	XAHD60G	1575	45.5	33.7	14.00	11.50	47.0	31.8	9.00	7.45	3.76	2.72
THE48B41S	TL9E080C16UH11	24.5	XAF/XAUD60G	1400	45.0	31.9	14.00	11.50	47.0	32.0	9.00	7.35	3.70	2.72
THE48B41S	TL9E100C20UH11	24.5	XAF/XAUD60G	1400	45.5	32.4	14.00	12.00	46.5	31.6	9.00	7.40	3.76	2.76
THE48B41S	TL9E100C20UH11	21.0	XAHD60G	1575	45.5	33.7	14.00	11.50	47.0	31.8	9.00	7.50	3.74	2.72
THE48B41S	TM8E080C16MP11	24.5	XAF/XAUD60G	1575	45.5	33.2	14.00	11.50	47.5	32.0	9.00	7.40	3.76	2.72
THE48B41S	TM8E080C20MP11	24.5	XAF/XAUD60G	1450	45.5	32.7	14.00	12.00	46.5	31.6	9.00	7.30	3.78	2.76
THE48B41S	TM8E080C20MP11	21.0	XAHD60G	1425	45.5	32.9	14.00	11.50	46.5	31.2	9.00	7.50	3.74	2.72
THE48B41S	TM8E100C16MP11	24.5	XAF/XAUD60G	1575	45.5	33.2	14.00	11.50	47.5	32.0	9.00	7.40	3.76	2.72
THE48B41S	TM8E100C20MP11	24.5	XAF/XAUD60G	1425	45.5	32.5	14.00	12.00	46.5	31.6	9.00	7.40	3.78	2.76
THE48B41S	TM8E100C20MP11	21.0	XAHD60G	1400	45.0	32.3	14.00	11.50	46.5	31.2	9.00	7.30	3.72	2.72
THE48B41S	TM8E120C16MP11	24.5	XAF/XAUD60G	1575	45.5	33.2	14.00	11.50	47.5	32.0	9.00	7.40	3.76	2.72
THE48B41S	TM8E120C20MP11	24.5	XAF/XAUD60G	1425	45.5	32.5	14.50	12.00	46.5	31.6	9.00	7.30	3.78	2.76
THE48B41S	TM8E120C20MP11	21.0	XAHD60G	1400	45.0	32.3	14.00	11.50	46.0	31.2	9.00	7.30	3.72	2.72

SYSTEM CAPACITY - With High Efficiency Motor Furnaces¹ (Continued)

UNIT MODEL	FURNACE		COIL MODEL ²	COOLING					HEATING					
	MODEL	WIDTH		RATED CFM	NET MBH		SEER	EER	NET MBH		HSPF Region IV	HSPF Region V	COP	
					TOTAL	SENS.			47°F OD	17°F OD			47°F OD	17°F OD
THE48B41S	TM8E130D20MP11	24.5	XAF/XAUD60G	1400	45.5	32.4	14.50	12.00	46.5	31.6	9.00	7.40	3.78	2.76
THE48B41S	TM8E130D20MP11	21.0	XAHD60G	1600	46.0	34.4	14.00	11.50	47.0	31.8	9.00	7.45	3.78	2.72
THE48B41S	TM8V080C16MP12C	24.5	XAF/XAUD60G	1425	45.0	32.0	14.00	11.50	47.0	31.8	9.00	7.45	3.74	2.74
THE48B41S	TM8V080C16MP12C	21.0	XAHD60G	1425	45.0	32.4	14.00	11.50	46.5	31.4	9.00	7.35	3.70	2.70
THE48B41S	TM8V100C16MP11	21.0	CF/CM/CU48C	1325	45.5	30.8	14.00	11.75	47.5	31.4	9.00	7.82	3.50	2.60
THE48B41S	TM8V100C16MP11	21.0	CF/CM/CU48D	1300	45.5	30.6	14.25	11.75	47.5	31.4	9.00	7.82	3.50	2.60
THE48B41S	TM8V100C16MP11	21.0	CF/CM/CU60C	1325	46.5	31.2	14.50	12.00	47.5	31.2	9.00	7.82	3.50	2.58
THE48B41S	TM8V100C16MP12C	24.5	XAF/XAUD60G	1425	45.0	32.0	14.00	11.50	47.0	31.8	9.00	7.45	3.74	2.74
THE48B41S	TM8V100C16MP12C	21.0	XAHD60G	1425	45.0	32.4	14.00	11.50	46.5	31.4	9.00	7.35	3.70	2.70
THE48B41S	TM8V100C20MP12C	24.5	XAF/XAUD60G	1425	45.5	32.5	14.00	12.00	46.5	31.6	9.00	7.35	3.78	2.78
THE48B41S	TM8V100C20MP12C	21.0	XAHD60G	1425	45.5	32.9	14.00	11.50	46.5	31.2	9.00	7.50	3.74	2.74
THE48B41S	TM8V120C20MP11	21.0	CF/CM/CU48C	1300	45.5	30.6	14.00	11.75	47.5	31.4	9.00	7.82	3.50	2.60
THE48B41S	TM8V120C20MP11	21.0	CF/CM/CU60C	1400	46.5	32.0	14.25	12.00	48.0	31.4	9.00	7.82	3.54	2.60
THE48B41S	TM8V120C20MP11	21.0	CF/CM/CU60D	1350	46.5	32.0	14.25	12.00	47.5	31.4	9.00	7.82	3.56	2.60
THE48B41S	TM8V120C20MP12C	24.5	XAF/XAUD60G	1425	45.5	32.5	14.00	12.00	46.5	31.6	9.00	7.35	3.78	2.78
THE48B41S	TM8V120C20MP12C	21.0	XAHD60G	1425	45.5	32.9	14.00	11.50	46.5	31.2	9.00	7.50	3.74	2.74
THE48B41S	TM8X100C16MP11	21.0	CF/CM/CU48C	1400	46.0	31.6	14.00	11.75	48.0	31.6	9.00	7.82	3.54	2.62
THE48B41S	TM8X100C16MP11	21.0	CF/CM/CU48D	1400	46.0	31.6	14.00	11.75	48.0	31.6	9.00	7.82	3.54	2.60
THE48B41S	TM8X100C16MP11	21.0	CF/CM/CU60C	1400	46.5	32.0	14.25	12.00	48.0	31.4	9.00	7.82	3.54	2.60
THE48B41S	TM8X100C16MP11	21.0	CF/CM/CU60D	1400	46.5	32.0	14.25	12.00	48.0	31.4	9.00	7.82	3.54	2.60
THE48B41S	TM8X120C20MP11	21.0	CF/CM/CU48C	1400	46.0	31.8	14.00	11.75	48.0	31.6	9.00	7.82	3.56	2.62
THE48B41S	TM8X120C20MP11	21.0	CF/CM/CU48D	1400	46.0	31.8	14.00	11.75	48.0	31.6	9.00	7.82	3.56	2.62
THE48B41S	TM8X120C20MP11	21.0	CF/CM/CU60C	1400	46.5	32.0	14.25	12.00	47.5	31.4	9.00	7.82	3.54	2.60
THE48B41S	TM8X120C20MP11	21.0	CF/CM/CU60D	1400	46.5	32.0	14.25	12.00	47.5	31.4	9.00	7.82	3.54	2.60
THE48B41S	TM8Y080C16MP11	24.5	XAF/XAUD60G	1550	45.5	33.1	14.00	11.50	47.5	32.0	9.00	7.50	3.74	2.72
THE48B41S	TM8Y100C16MP11	21.0	CF/CM/CU48C	1400	46.0	31.6	14.00	11.75	48.0	31.6	9.00	7.82	3.54	2.62
THE48B41S	TM8Y100C16MP11	21.0	CF/CM/CU48D	1400	46.0	31.6	14.00	11.75	48.0	31.6	9.00	7.82	3.54	2.60
THE48B41S	TM8Y100C16MP11	21.0	CF/CM/CU60C	1400	46.5	32.0	14.25	12.00	48.0	31.4	9.00	7.82	3.54	2.60
THE48B41S	TM8Y100C16MP11	21.0	CF/CM/CU60D	1400	46.5	32.0	14.25	12.00	48.0	31.4	9.00	7.82	3.54	2.60
THE48B41S	TM8Y100C16MP11	24.5	XAF/XAUD60G	1550	45.5	33.1	14.00	11.50	47.5	32.0	9.00	7.50	3.74	2.72
THE48B41S	TM8Y100C20MP11	24.5	XAF/XAUD60G	1550	46.0	33.6	14.00	11.50	47.0	31.8	9.00	7.40	3.80	2.74
THE48B41S	TM8Y100C20MP11	21.0	XAHD60G	1525	45.5	33.5	14.00	11.50	47.0	31.6	9.00	7.50	3.76	2.72
THE48B41S	TM8Y120C20MP11	21.0	CF/CM/CU48C	1400	46.0	31.8	14.00	11.75	48.0	31.6	9.00	7.82	3.56	2.62
THE48B41S	TM8Y120C20MP11	21.0	CF/CM/CU48D	1400	46.0	31.8	14.00	11.75	48.0	31.6	9.00	7.82	3.56	2.62
THE48B41S	TM8Y120C20MP11	21.0	CF/CM/CU60C	1400	46.5	32.0	14.25	12.00	47.5	31.4	9.00	7.82	3.54	2.60
THE48B41S	TM8Y120C20MP11	21.0	CF/CM/CU60D	1400	46.5	32.0	14.25	12.00	47.5	31.4	9.00	7.82	3.54	2.60
THE48B41S	TM8Y120C20MP11	24.5	XAF/XAUD60G	1550	46.0	33.6	14.00	11.50	47.0	31.8	9.00	7.40	3.80	2.74

SYSTEM CAPACITY - With High Efficiency Motor Furnaces¹ (Continued)

UNIT MODEL	FURNACE		COIL MODEL ²	COOLING					HEATING					
	MODEL	WIDTH		RATED CFM	NET MBH		SEER	EER	NET MBH		HSPF Region IV	HSPF Region V	COP	
					TOTAL	SENS.			47°F OD	17°F OD			47°F OD	17°F OD
THE48B41S	TM8Y120C20MP11	21.0	XAHD60G	1525	45.5	33.5	14.00	11.50	47.0	31.6	9.00	7.50	3.76	2.72
THE48B41S	TM9E080C20MP12	24.5	XAF/XAUD60G	1400	45.5	32.4	14.00	12.00	46.5	31.6	9.00	7.40	3.76	2.76
THE48B41S	TM9E080C20MP12	21.0	XAHD60G	1475	45.5	33.2	14.00	11.50	46.5	31.4	9.00	7.50	3.74	2.72
THE48B41S	TM9E100C16MP11	21.0	CF/CM/CU48C	1325	45.5	30.8	14.00	11.75	47.5	31.6	9.00	7.82	3.48	2.58
THE48B41S	TM9E100C16MP11	21.0	CF/CM/CU60C	1325	46.0	31.0	14.25	11.75	47.5	31.4	9.00	7.82	3.48	2.56
THE48B41S	TM9E100C16MP11	21.0	CF/CM/CU60D	1325	46.0	31.0	14.25	11.75	47.5	31.4	9.00	7.82	3.48	2.58
THE48B41S	TM9E100C20MP11	21.0	CF/CM/CU48C	1400	46.0	31.8	14.00	11.75	48.0	31.6	9.00	7.82	3.54	2.62
THE48B41S	TM9E100C20MP11	21.0	CF/CM/CU48D	1400	46.0	31.6	14.00	11.75	48.0	31.6	9.00	7.82	3.54	2.62
THE48B41S	TM9E100C20MP11	21.0	CF/CM/CU60C	1400	46.5	32.0	14.25	12.00	47.5	31.4	9.00	7.82	3.54	2.60
THE48B41S	TM9E100C20MP11	21.0	CF/CM/CU60D	1400	46.5	32.0	14.25	12.00	47.5	31.4	9.00	7.82	3.54	2.60
THE48B41S	TM9E100C20MP12	24.5	XAF/XAUD60G	1400	45.5	32.4	14.50	12.00	46.5	31.6	9.00	7.40	3.78	2.76
THE48B41S	TM9E100C20MP12	21.0	XAHD60G	1500	45.5	33.3	14.00	11.50	46.5	31.4	9.00	7.40	3.76	2.72
THE48B41S	TM9E120D20MP11	24.5	CF/CM/CU48D	1400	46.0	31.8	14.25	11.75	48.0	31.6	9.00	7.82	3.56	2.62
THE48B41S	TM9E120D20MP11	24.5	CF/CM/CU60D	1400	47.0	32.2	14.50	12.00	47.5	31.4	9.00	7.82	3.56	2.62
THE48B41S	TM9E120D20MP12	24.5	XAF/XAUD60G	1425	45.5	32.5	14.00	11.50	46.5	31.8	9.00	7.40	3.76	2.76
THE48B41S	TM9E120D20MP12	21.0	XAHD60G	1400	45.0	32.3	14.00	11.50	46.5	31.2	9.00	7.30	3.70	2.72
THE48B41S	TM9V100C16MP11	21.0	CF/CM/CU48C	1425	46.0	31.6	14.00	11.75	48.0	31.8	9.00	7.82	3.52	2.60
THE48B41S	TM9V100C16MP11	21.0	CF/CM/CU48D	1425	46.0	31.8	14.25	12.00	47.5	31.4	9.00	7.82	3.58	2.64
THE48B41S	TM9V100C16MP11	21.0	CF/CM/CU60C	1450	46.5	32.0	14.00	11.75	48.0	31.6	8.75	7.60	3.50	2.56
THE48B41S	TM9V100C16MP12C	24.5	XAF/XAUD60G	1425	45.0	32.0	14.00	11.50	47.0	31.8	9.00	7.40	3.76	2.76
THE48B41S	TM9V100C16MP12C	21.0	XAHD60G	1425	45.0	32.4	14.00	11.50	46.5	31.4	9.00	7.30	3.72	2.70
THE48B41S	TM9V100C20MP11	21.0	CF/CM/CU48C	1275	45.5	30.2	14.00	11.75	47.5	31.4	9.00	7.82	3.46	2.58
THE48B41S	TM9V100C20MP11	21.0	CF/CM/CU48D	1300	45.5	30.6	14.25	11.75	47.5	31.4	9.00	7.82	3.50	2.60
THE48B41S	TM9V100C20MP11	21.0	CF/CM/CU60C	1450	46.5	31.8	14.00	11.75	48.0	31.6	8.75	7.60	3.50	2.56
THE48B41S	TM9V100C20MP12C	24.5	XAF/XAUD60G	1475	45.5	32.8	14.00	11.50	47.0	31.8	9.00	7.35	3.76	2.74
THE48B41S	TM9V100C20MP12C	21.0	XAHD60G	1475	45.0	32.7	14.00	11.50	46.5	31.6	9.00	7.30	3.72	2.70
THE48B41S	TM9V120D20MP11	24.5	CF/CM/CU60D	1425	46.5	32.2	14.25	12.00	47.5	31.4	9.00	7.82	3.56	2.60
THE48B41S	TM9V120D20MP12C	24.5	XAF/XAUD60G	1400	45.5	32.4	14.50	12.00	46.5	31.6	9.00	7.35	3.78	2.78
THE48B41S	TM9V120D20MP12C	21.0	XAHD60G	1400	45.0	32.3	14.00	11.50	46.0	31.0	9.00	7.50	3.74	2.74
THE48B41S	TM9Y100C16MP11	21.0	CF/CM/CU48C	1325	45.5	30.8	14.00	11.75	47.5	31.6	9.00	7.82	3.48	2.58
THE48B41S	TM9Y100C16MP11	21.0	CF/CM/CU60C	1325	46.0	31.0	14.25	11.75	47.5	31.4	9.00	7.82	3.48	2.56
THE48B41S	TM9Y100C16MP11	21.0	CF/CM/CU60D	1325	46.0	31.0	14.25	11.75	47.5	31.4	9.00	7.82	3.48	2.58
THE48B41S	TM9Y100C16MP11	24.5	XAF/XAUD60G	1400	45.0	31.9	14.00	11.50	47.0	32.0	9.00	7.35	3.70	2.72
THE48B41S	TM9Y100C20MP11	21.0	CF/CM/CU48C	1400	46.0	31.8	14.00	11.75	48.0	31.6	9.00	7.82	3.54	2.62
THE48B41S	TM9Y100C20MP11	21.0	CF/CM/CU48D	1400	46.0	31.6	14.00	11.75	48.0	31.6	9.00	7.82	3.54	2.62
THE48B41S	TM9Y100C20MP11	21.0	CF/CM/CU60C	1400	46.5	32.0	14.25	12.00	47.5	31.4	9.00	7.82	3.54	2.60
THE48B41S	TM9Y100C20MP11	21.0	CF/CM/CU60D	1400	46.5	32.0	14.25	12.00	47.5	31.4	9.00	7.82	3.54	2.60

SYSTEM CAPACITY - With High Efficiency Motor Furnaces¹ (Continued)

UNIT MODEL	FURNACE		COIL MODEL ²	COOLING					HEATING					
	MODEL	WIDTH		RATED CFM	NET MBH		SEER	EER	NET MBH		HSPF Region IV	HSPF Region V	COP	
					TOTAL	SENS.			47°F OD	17°F OD			47°F OD	17°F OD
THE48B41S	TM9Y100C20MP11	24.5	XAF/XAUD60G	1550	45.5	33.1	14.00	11.50	47.5	32.0	9.00	7.40	3.76	2.72
THE48B41S	TM9Y120D20MP11	24.5	CF/CM/CU48D	1400	46.0	31.8	14.25	11.75	48.0	31.6	9.00	7.82	3.56	2.62
THE48B41S	TM9Y120D20MP11	24.5	CF/CM/CU60D	1400	47.0	32.2	14.50	12.00	47.5	31.4	9.00	7.82	3.56	2.62
THE48B41S	TM9Y120D20MP11	24.5	XAF/XAUD60G	1575	45.5	33.2	14.00	11.50	47.5	31.8	9.00	7.35	3.80	2.74
THE48B41S	TM9Y120D20MP11	21.0	XAHD60G	1550	45.5	33.6	14.00	11.50	47.0	31.8	9.00	7.50	3.74	2.72
THE48B41S	TMLE080C16MP11	24.5	XAF/XAUD60G	1575	45.5	33.2	14.00	11.50	47.5	32.0	9.00	7.40	3.76	2.72
THE48B41S	TMLE080C20MP11	24.5	XAF/XAUD60G	1450	45.5	32.7	14.00	12.00	46.5	31.6	9.00	7.30	3.78	2.76
THE48B41S	TMLE080C20MP11	21.0	XAHD60G	1425	45.5	32.9	14.00	11.50	46.5	31.2	9.00	7.50	3.74	2.72
THE48B41S	TMLE100C16MP11	24.5	XAF/XAUD60G	1575	45.5	33.2	14.00	11.50	47.5	32.0	9.00	7.40	3.76	2.72
THE48B41S	TMLE100C20MP11	24.5	XAF/XAUD60G	1425	45.5	32.5	14.00	12.00	46.5	31.6	9.00	7.40	3.78	2.76
THE48B41S	TMLE100C20MP11	21.0	XAHD60G	1400	45.0	32.3	14.00	11.50	46.5	31.2	9.00	7.30	3.72	2.72
THE48B41S	TMLE120C16MP11	24.5	XAF/XAUD60G	1575	45.5	33.2	14.00	11.50	47.5	32.0	9.00	7.40	3.76	2.72
THE48B41S	TMLE120C20MP11	24.5	XAF/XAUD60G	1425	45.5	32.5	14.50	12.00	46.5	31.6	9.00	7.30	3.78	2.76
THE48B41S	TMLE120C20MP11	21.0	XAHD60G	1400	45.0	32.3	14.00	11.50	46.0	31.2	9.00	7.30	3.72	2.72
THE48B41S	TMLE130D20MP11	24.5	XAF/XAUD60G	1400	45.5	32.4	14.50	12.00	46.5	31.6	9.00	7.40	3.78	2.76
THE48B41S	TMLE130D20MP11	21.0	XAHD60G	1600	46.0	34.4	14.00	11.50	47.0	31.8	9.00	7.45	3.78	2.72
THE48B41S	TMLV100C16MP11	21.0	CF/CM/CU48C	1325	45.5	30.8	14.00	11.75	47.5	31.4	9.00	7.82	3.50	2.60
THE48B41S	TMLV100C16MP11	21.0	CF/CM/CU48D	1300	45.5	30.6	14.25	11.75	47.5	31.4	9.00	7.82	3.50	2.60
THE48B41S	TMLV100C16MP11	21.0	CF/CM/CU60C	1325	46.5	31.2	14.50	12.00	47.5	31.2	9.00	7.82	3.50	2.58
THE48B41S	TMLV100C16MP12C	24.5	XAF/XAUD60G	1425	45.0	32.0	14.00	11.50	47.0	31.8	9.00	7.45	3.74	2.74
THE48B41S	TMLV100C16MP12C	21.0	XAHD60G	1425	45.0	32.4	14.00	11.50	46.5	31.4	9.00	7.35	3.70	2.70
THE48B41S	TMLV120C20MP11	21.0	CF/CM/CU48C	1300	45.5	30.6	14.00	11.75	47.5	31.4	9.00	7.82	3.50	2.60
THE48B41S	TMLV120C20MP11	21.0	CF/CM/CU60C	1400	46.5	32.0	14.25	12.00	48.0	31.4	9.00	7.82	3.54	2.60
THE48B41S	TMLV120C20MP11	21.0	CF/CM/CU60D	1350	46.5	32.0	14.25	12.00	47.5	31.4	9.00	7.82	3.56	2.60
THE48B41S	TMLV120C20MP12C	24.5	XAF/XAUD60G	1425	45.5	32.5	14.00	12.00	46.5	31.6	9.00	7.35	3.78	2.78
THE48B41S	TMLV120C20MP12C	21.0	XAHD60G	1425	45.5	32.9	14.00	11.50	46.5	31.2	9.00	7.50	3.74	2.74
THE48B41S	TMLX100C16MP11	21.0	CF/CM/CU48C	1400	46.0	31.6	14.00	11.75	48.0	31.6	9.00	7.82	3.54	2.62
THE48B41S	TMLX100C16MP11	21.0	CF/CM/CU48D	1400	46.0	31.6	14.00	11.75	48.0	31.6	9.00	7.82	3.54	2.60
THE48B41S	TMLX100C16MP11	21.0	CF/CM/CU60C	1400	46.5	32.0	14.25	12.00	48.0	31.4	9.00	7.82	3.54	2.60
THE48B41S	TMLX100C16MP11	21.0	CF/CM/CU60D	1400	46.5	32.0	14.25	12.00	48.0	31.4	9.00	7.82	3.54	2.60
THE48B41S	TMLX120C20MP11	21.0	CF/CM/CU48C	1400	46.0	31.8	14.00	11.75	48.0	31.6	9.00	7.82	3.56	2.62
THE48B41S	TMLX120C20MP11	21.0	CF/CM/CU48D	1400	46.0	31.8	14.00	11.75	48.0	31.6	9.00	7.82	3.56	2.62
THE48B41S	TMLX120C20MP11	21.0	CF/CM/CU60C	1400	46.5	32.0	14.25	12.00	47.5	31.4	9.00	7.82	3.54	2.60
THE48B41S	TMLX120C20MP11	21.0	CF/CM/CU60D	1400	46.5	32.0	14.25	12.00	47.5	31.4	9.00	7.82	3.54	2.60
THE48B41S	TP9C100C16MP11	21.0	CF/CM/CU48C	1425	46.0	31.6	14.00	11.75	48.0	31.8	9.00	7.82	3.52	2.60
THE48B41S	TP9C100C16MP11	21.0	CF/CM/CU48D	1425	46.0	31.8	14.25	12.00	47.5	31.4	9.00	7.82	3.58	2.64
THE48B41S	TP9C100C16MP11	21.0	CF/CM/CU60C	1450	46.5	32.0	14.00	11.75	48.0	31.6	8.75	7.60	3.50	2.56

SYSTEM CAPACITY - With High Efficiency Motor Furnaces¹ (Continued)

UNIT MODEL	FURNACE		COIL MODEL ²	COOLING					HEATING					
	MODEL	WIDTH		RATED CFM	NET MBH		SEER	EER	NET MBH		HSPF Region IV	HSPF Region V	COP	
					TOTAL	SENS.			47°F OD	17°F OD			47°F OD	17°F OD
THE48B41S	TP9C100C16MP13C	24.5	XAF/XAUD60G	1425	45.0	32.0	14.00	11.50	47.0	31.8	9.00	7.40	3.76	2.76
THE48B41S	TP9C100C16MP13C	21.0	XAHD60G	1425	45.0	32.4	14.00	11.50	46.5	31.4	9.00	7.30	3.72	2.70
THE48B41S	TP9C100C20MP11	21.0	CF/CM/CU48C	1275	45.5	30.2	14.00	11.75	47.5	31.4	9.00	7.82	3.46	2.58
THE48B41S	TP9C100C20MP11	21.0	CF/CM/CU48D	1300	45.5	30.6	14.25	11.75	47.5	31.4	9.00	7.82	3.50	2.60
THE48B41S	TP9C100C20MP11	21.0	CF/CM/CU60C	1450	46.5	31.8	14.00	11.75	48.0	31.6	8.75	7.60	3.50	2.56
THE48B41S	TP9C100C20MP13C	24.5	XAF/XAUD60G	1475	45.5	32.8	14.00	11.50	47.0	31.8	9.00	7.35	3.76	2.74
THE48B41S	TP9C100C20MP13C	21.0	XAHD60G	1475	45.0	32.7	14.00	11.50	46.5	31.6	9.00	7.30	3.72	2.70
THE48B41S	TP9C120D20MP11	24.5	CF/CM/CU60D	1425	46.5	32.2	14.25	12.00	47.5	31.4	9.00	7.82	3.56	2.60
THE48B41S	TP9C120D20MP13C	24.5	XAF/XAUD60G	1400	45.5	32.4	14.50	12.00	46.5	31.6	9.00	7.35	3.78	2.78
THE48B41S	TP9C120D20MP13C	21.0	XAHD60G	1400	45.0	32.3	14.00	11.50	46.0	31.0	9.00	7.50	3.74	2.74
THE48B41S	TPLC080C16MP13C	24.5	XAF/XAUD60G	1425	45.0	32.0	14.00	11.50	47.0	31.8	9.00	7.45	3.74	2.74
THE48B41S	TPLC080C16MP13C	21.0	XAHD60G	1425	45.0	32.4	14.00	11.50	46.5	31.4	9.00	7.35	3.70	2.70
THE48B41S	TPLC100C16MP11	21.0	CF/CM/CU48C	1325	45.5	30.8	14.00	11.75	47.5	31.4	9.00	7.82	3.50	2.60
THE48B41S	TPLC100C16MP11	21.0	CF/CM/CU48D	1300	45.5	30.6	14.25	11.75	47.5	31.4	9.00	7.82	3.50	2.60
THE48B41S	TPLC100C16MP11	21.0	CF/CM/CU60C	1325	46.5	31.2	14.50	12.00	47.5	31.2	9.00	7.82	3.50	2.58
THE48B41S	TPLC100C16MP13C	24.5	XAF/XAUD60G	1425	45.0	32.0	14.00	11.50	47.0	31.8	9.00	7.45	3.74	2.74
THE48B41S	TPLC100C16MP13C	21.0	XAHD60G	1425	45.0	32.4	14.00	11.50	46.5	31.4	9.00	7.35	3.70	2.70
THE48B41S	TPLC100C20MP13C	24.5	XAF/XAUD60G	1425	45.5	32.5	14.00	12.00	46.5	31.6	9.00	7.35	3.78	2.78
THE48B41S	TPLC100C20MP13C	21.0	XAHD60G	1425	45.5	32.9	14.00	11.50	46.5	31.2	9.00	7.50	3.74	2.74
THE48B41S	TPLC120C20MP11	21.0	CF/CM/CU48C	1300	45.5	30.6	14.00	11.75	47.5	31.4	9.00	7.82	3.50	2.60
THE48B41S	TPLC120C20MP11	21.0	CF/CM/CU60C	1400	46.5	32.0	14.25	12.00	48.0	31.4	9.00	7.82	3.54	2.60
THE48B41S	TPLC120C20MP11	21.0	CF/CM/CU60D	1350	46.5	32.0	14.25	12.00	47.5	31.4	9.00	7.82	3.56	2.60
THE48B41S	TPLC120C20MP13C	24.5	XAF/XAUD60G	1425	45.5	32.5	14.00	12.00	46.5	31.6	9.00	7.35	3.78	2.78
THE48B41S	TPLC120C20MP13C	21.0	XAHD60G	1425	45.5	32.9	14.00	11.50	46.5	31.2	9.00	7.50	3.74	2.74
THE48B41S	YP9C100C16MP11	21.0	CF/CM/CU48C	1425	46.0	31.6	14.00	11.75	48.0	31.8	9.00	7.82	3.52	2.60
THE48B41S	YP9C100C16MP11	21.0	CF/CM/CU48D	1425	46.0	31.8	14.25	12.00	47.5	31.4	9.00	7.82	3.58	2.64
THE48B41S	YP9C100C16MP11	21.0	CF/CM/CU60C	1450	46.5	32.0	14.00	11.75	48.0	31.6	8.75	7.60	3.50	2.56
THE48B41S	YP9C100C16MP13C	24.5	XAF/XAUD60G	1425	45.0	32.0	14.00	11.50	47.0	31.8	9.00	7.40	3.76	2.76
THE48B41S	YP9C100C16MP13C	21.0	XAHD60G	1425	45.0	32.4	14.00	11.50	46.5	31.4	9.00	7.30	3.72	2.70
THE48B41S	YP9C100C20MP11	21.0	CF/CM/CU48C	1275	45.5	30.2	14.00	11.75	47.5	31.4	9.00	7.82	3.46	2.58
THE48B41S	YP9C100C20MP11	21.0	CF/CM/CU48D	1300	45.5	30.6	14.25	11.75	47.5	31.4	9.00	7.82	3.50	2.60
THE48B41S	YP9C100C20MP11	21.0	CF/CM/CU60C	1450	46.5	31.8	14.00	11.75	48.0	31.6	8.75	7.60	3.50	2.56
THE48B41S	YP9C100C20MP13C	24.5	XAF/XAUD60G	1475	45.5	32.8	14.00	11.50	47.0	31.8	9.00	7.35	3.76	2.74
THE48B41S	YP9C100C20MP13C	21.0	XAHD60G	1475	45.0	32.7	14.00	11.50	46.5	31.6	9.00	7.30	3.72	2.70
THE48B41S	YP9C120D20MP11	24.5	CF/CM/CU60D	1425	46.5	32.2	14.25	12.00	47.5	31.4	9.00	7.82	3.56	2.60
THE48B41S	YP9C120D20MP13C	24.5	XAF/XAUD60G	1400	45.5	32.4	14.50	12.00	46.5	31.6	9.00	7.35	3.78	2.78
THE48B41S	YP9C120D20MP13C	21.0	XAHD60G	1400	45.0	32.3	14.00	11.50	46.0	31.0	9.00	7.50	3.74	2.74

SYSTEM CAPACITY - With High Efficiency Motor Furnaces¹ (Continued)

UNIT MODEL	FURNACE		COIL MODEL ²	COOLING					HEATING					
	MODEL	WIDTH		RATED CFM	NET MBH		SEER	EER	NET MBH		HSPF Region IV	HSPF Region V	COP	
					TOTAL	SENS.			47°F OD	17°F OD			47°F OD	17°F OD
THE48B41S	YPLC080C16MP13C	24.5	XAF/XAUD60G	1425	45.0	32.0	14.00	11.50	47.0	31.8	9.00	7.45	3.74	2.74
THE48B41S	YPLC080C16MP13C	21.0	XAHD60G	1425	45.0	32.4	14.00	11.50	46.5	31.4	9.00	7.35	3.70	2.70
THE48B41S	YPLC100C16MP11	21.0	CF/CM/CU48C	1325	45.5	30.8	14.00	11.75	47.5	31.4	9.00	7.82	3.50	2.60
THE48B41S	YPLC100C16MP11	21.0	CF/CM/CU48D	1300	45.5	30.6	14.25	11.75	47.5	31.4	9.00	7.82	3.50	2.60
THE48B41S	YPLC100C16MP11	21.0	CF/CM/CU60C	1325	46.5	31.2	14.50	12.00	47.5	31.2	9.00	7.82	3.50	2.58
THE48B41S	YPLC100C16MP13C	24.5	XAF/XAUD60G	1425	45.0	32.0	14.00	11.50	47.0	31.8	9.00	7.45	3.74	2.74
THE48B41S	YPLC100C16MP13C	21.0	XAHD60G	1425	45.0	32.4	14.00	11.50	46.5	31.4	9.00	7.35	3.70	2.70
THE48B41S	YPLC100C20MP13C	24.5	XAF/XAUD60G	1425	45.5	32.5	14.00	12.00	46.5	31.6	9.00	7.35	3.78	2.78
THE48B41S	YPLC100C20MP13C	21.0	XAHD60G	1425	45.5	32.9	14.00	11.50	46.5	31.2	9.00	7.50	3.74	2.74
THE48B41S	YPLC120C20MP11	21.0	CF/CM/CU48C	1300	45.5	30.6	14.00	11.75	47.5	31.4	9.00	7.82	3.50	2.60
THE48B41S	YPLC120C20MP11	21.0	CF/CM/CU60C	1400	46.5	32.0	14.25	12.00	48.0	31.4	9.00	7.82	3.54	2.60
THE48B41S	YPLC120C20MP11	21.0	CF/CM/CU60D	1350	46.5	32.0	14.25	12.00	47.5	31.4	9.00	7.82	3.56	2.60
THE48B41S	YPLC120C20MP13C	24.5	XAF/XAUD60G	1425	45.5	32.5	14.00	12.00	46.5	31.6	9.00	7.35	3.78	2.78
THE48B41S	YPLC120C20MP13C	21.0	XAHD60G	1425	45.5	32.9	14.00	11.50	46.5	31.2	9.00	7.50	3.74	2.74
THE60B31S	TM8V100C20MP11	21.0	CF/CM64D	1425	54.5	36.0	14.00	12.00	56.5	37.4	9.25	8.04	3.72	2.76
THE60B31S	TM8V120C20MP11	21.0	CF/CM64D	1425	54.5	36.0	14.00	12.00	56.5	37.4	9.25	8.04	3.72	2.76
THE60B31S	TM8X080C16MP11	21.0	CF/CM64D	1400	54.0	35.8	14.00	12.00	56.5	37.4	9.25	8.04	3.70	2.74
THE60B31S	TM8X100C16MP11	21.0	CF/CM64D	1400	54.0	35.8	14.00	12.00	56.5	37.4	9.25	8.04	3.70	2.74
THE60B31S	TM8X100C20MP11	21.0	CF/CM64D	1450	54.5	36.4	14.25	12.00	56.5	37.4	9.25	8.04	3.78	2.78
THE60B31S	TM8X120C20MP11	21.0	CF/CM64D	1450	54.5	36.4	14.25	12.00	56.5	37.4	9.25	8.04	3.78	2.78
THE60B31S	TM8Y080C16MP11	21.0	CF/CM64D	1400	54.0	35.8	14.00	12.00	56.5	37.4	9.25	8.04	3.70	2.74
THE60B31S	TM8Y100C16MP11	21.0	CF/CM64D	1400	54.0	35.8	14.00	12.00	56.5	37.4	9.25	8.04	3.70	2.74
THE60B31S	TM8Y100C20MP11	21.0	CF/CM64D	1450	54.5	36.4	14.25	12.00	56.5	37.4	9.25	8.04	3.78	2.78
THE60B31S	TM8Y120C20MP11	21.0	CF/CM64D	1450	54.5	36.4	14.25	12.00	56.5	37.4	9.25	8.04	3.78	2.78
THE60B31S	TM9E100C20MP11	21.0	CF/CM64D	1400	54.0	35.8	14.00	12.00	56.5	37.4	9.00	7.82	3.72	2.76
THE60B31S	TM9E120D20MP11	24.5	CF/CM64D	1400	54.5	35.8	14.25	12.00	56.5	37.2	9.25	8.04	3.74	2.76
THE60B31S	TM9V120D20MP11	24.5	CF/CM64D	1525	54.5	37.0	14.00	12.00	57.0	37.6	9.00	7.82	3.80	2.78
THE60B31S	TM9Y100C20MP11	21.0	CF/CM64D	1400	54.0	35.8	14.00	12.00	56.5	37.4	9.00	7.82	3.72	2.76
THE60B31S	TM9Y120D20MP11	24.5	CF/CM64D	1400	54.5	35.8	14.25	12.00	56.5	37.2	9.25	8.04	3.74	2.76
THE60B31S	TMLV100C20MP11	21.0	CF/CM64D	1425	54.5	36.0	14.00	12.00	56.5	37.4	9.25	8.04	3.72	2.76
THE60B31S	TMLV120C20MP11	21.0	CF/CM64D	1425	54.5	36.0	14.00	12.00	56.5	37.4	9.25	8.04	3.72	2.76
THE60B31S	TMLX080C16MP11	21.0	CF/CM64D	1400	54.0	35.8	14.00	12.00	56.5	37.4	9.25	8.04	3.70	2.74
THE60B31S	TMLX100C16MP11	21.0	CF/CM64D	1400	54.0	35.8	14.00	12.00	56.5	37.4	9.25	8.04	3.70	2.74
THE60B31S	TMLX100C20MP11	21.0	CF/CM64D	1450	54.5	36.4	14.25	12.00	56.5	37.4	9.25	8.04	3.78	2.78
THE60B31S	TMLX120C20MP11	21.0	CF/CM64D	1450	54.5	36.4	14.25	12.00	56.5	37.4	9.25	8.04	3.78	2.78
THE60B31S	TP9C120D20MP12C	24.5	CF/CM64D	1525	54.5	37.0	14.00	12.00	57.0	37.6	9.00	7.82	3.80	2.78
THE60B31S	TPLC100C20MP12C	21.0	CF/CM64D	1425	54.5	36.0	14.00	12.00	56.5	37.4	9.25	8.04	3.72	2.76

SYSTEM CAPACITY - With High Efficiency Motor Furnaces¹ (Continued)

UNIT MODEL	FURNACE		COIL MODEL ²	COOLING					HEATING					
	MODEL	WIDTH		RATED CFM	NET MBH		SEER	EER	NET MBH		HSPF Region IV	HSPF Region V	COP	
					TOTAL	SENS.			47°F OD	17°F OD			47°F OD	17°F OD
THE60B31S	TPLC120C20MP12C	21.0	CF/CM64D	1425	54.5	36.0	14.00	12.00	56.5	37.4	9.25	8.04	3.72	2.76
THE60B31S	YP9C120D20MP12C	24.5	CF/CM64D	1525	54.5	37.0	14.00	12.00	57.0	37.6	9.00	7.82	3.80	2.78
THE60B31S	YPLC100C20MP12C	21.0	CF/CM64D	1425	54.5	36.0	14.00	12.00	56.5	37.4	9.25	8.04	3.72	2.76
THE60B31S	YPLC120C20MP12C	21.0	CF/CM64D	1425	54.5	36.0	14.00	12.00	56.5	37.4	9.25	8.04	3.72	2.76
THE60B41S	TM8V100C20MP11	21.0	CF/CM64D	1425	54.5	36.0	14.00	12.00	56.5	37.4	9.25	8.04	3.72	2.76
THE60B41S	TM8V120C20MP11	21.0	CF/CM64D	1425	54.5	36.0	14.00	12.00	56.5	37.4	9.25	8.04	3.72	2.76
THE60B41S	TM8X080C16MP11	21.0	CF/CM64D	1400	54.0	35.8	14.00	12.00	56.5	37.4	9.25	8.04	3.70	2.74
THE60B41S	TM8X100C16MP11	21.0	CF/CM64D	1400	54.0	35.8	14.00	12.00	56.5	37.4	9.25	8.04	3.70	2.74
THE60B41S	TM8X100C20MP11	21.0	CF/CM64D	1450	54.5	36.4	14.25	12.00	56.5	37.4	9.25	8.04	3.78	2.78
THE60B41S	TM8X120C20MP11	21.0	CF/CM64D	1450	54.5	36.4	14.25	12.00	56.5	37.4	9.25	8.04	3.78	2.78
THE60B41S	TM8Y080C16MP11	21.0	CF/CM64D	1400	54.0	35.8	14.00	12.00	56.5	37.4	9.25	8.04	3.70	2.74
THE60B41S	TM8Y100C16MP11	21.0	CF/CM64D	1400	54.0	35.8	14.00	12.00	56.5	37.4	9.25	8.04	3.70	2.74
THE60B41S	TM8Y100C20MP11	21.0	CF/CM64D	1450	54.5	36.4	14.25	12.00	56.5	37.4	9.25	8.04	3.78	2.78
THE60B41S	TM8Y120C20MP11	21.0	CF/CM64D	1450	54.5	36.4	14.25	12.00	56.5	37.4	9.25	8.04	3.78	2.78
THE60B41S	TM9E100C20MP11	21.0	CF/CM64D	1400	54.0	35.8	14.00	12.00	56.5	37.4	9.00	7.82	3.72	2.76
THE60B41S	TM9E120D20MP11	24.5	CF/CM64D	1400	54.5	35.8	14.25	12.00	56.5	37.2	9.25	8.04	3.74	2.76
THE60B41S	TM9V120D20MP11	24.5	CF/CM64D	1525	54.5	37.0	14.00	12.00	57.0	37.6	9.00	7.82	3.80	2.78
THE60B41S	TM9Y100C20MP11	21.0	CF/CM64D	1400	54.0	35.8	14.00	12.00	56.5	37.4	9.00	7.82	3.72	2.76
THE60B41S	TM9Y120D20MP11	24.5	CF/CM64D	1400	54.5	35.8	14.25	12.00	56.5	37.2	9.25	8.04	3.74	2.76
THE60B41S	TMLV100C20MP11	21.0	CF/CM64D	1425	54.5	36.0	14.00	12.00	56.5	37.4	9.25	8.04	3.72	2.76
THE60B41S	TMLV120C20MP11	21.0	CF/CM64D	1425	54.5	36.0	14.00	12.00	56.5	37.4	9.25	8.04	3.72	2.76
THE60B41S	TMLX080C16MP11	21.0	CF/CM64D	1400	54.0	35.8	14.00	12.00	56.5	37.4	9.25	8.04	3.70	2.74
THE60B41S	TMLX100C16MP11	21.0	CF/CM64D	1400	54.0	35.8	14.00	12.00	56.5	37.4	9.25	8.04	3.70	2.74
THE60B41S	TMLX100C20MP11	21.0	CF/CM64D	1450	54.5	36.4	14.25	12.00	56.5	37.4	9.25	8.04	3.78	2.78
THE60B41S	TMLX120C20MP11	21.0	CF/CM64D	1450	54.5	36.4	14.25	12.00	56.5	37.4	9.25	8.04	3.78	2.78
THE60B41S	TP9C120D20MP12C	24.5	CF/CM64D	1525	54.5	37.0	14.00	12.00	57.0	37.6	9.00	7.82	3.80	2.78
THE60B41S	TPLC100C20MP12C	21.0	CF/CM64D	1425	54.5	36.0	14.00	12.00	56.5	37.4	9.25	8.04	3.72	2.76
THE60B41S	TPLC120C20MP12C	21.0	CF/CM64D	1425	54.5	36.0	14.00	12.00	56.5	37.4	9.25	8.04	3.72	2.76
THE60B41S	YP9C120D20MP12C	24.5	CF/CM64D	1525	54.5	37.0	14.00	12.00	57.0	37.6	9.00	7.82	3.80	2.78
THE60B41S	YPLC100C20MP12C	21.0	CF/CM64D	1425	54.5	36.0	14.00	12.00	56.5	37.4	9.25	8.04	3.72	2.76
THE60B41S	YPLC120C20MP12C	21.0	CF/CM64D	1425	54.5	36.0	14.00	12.00	56.5	37.4	9.25	8.04	3.72	2.76

1. High Efficiency Motor Furnaces have B.O.D. (Blower on Delay) standard.

2. CM coils available with a factory installed horizontal drain pan. See price pages for specific model number.

For rated condition information, see the footnotes below the System Capacity - Single Piece and Modular Air Handlers table.

PSC furnaces use coil only ratings.

APPLICATION AND ACCESSORIES

Refer to Price Manual for specific model numbers.

Standard Application Limits*		
Maximum Lineset Equivalent Length		80 Ft
Outdoor Ambient Temperature Limits		
Cooling Operation	Maximum DB	125°F
	Minimum DB	55°F
Heating Operation	Maximum DB	75°F
	Minimum DB	-20°F

* For applications such as Low Ambient, reduced linesets, and/or long linesets, see the accessories listed below.

Standard Low Ambient Control Kit S1-2LA06700424: Allows the use of air conditioning at low outdoor ambient temperatures down to +20°F (-7°C). For use with all R-410A single stage AC and HP models.

Advanced Low Ambient Control Kit S1-2LA04701024: Contains the necessary components and controls to allow cooling operation down to -20°F (-29°C). For use with some R-410A single stage AC and HP models. This accessory can only be applied to models that contain a PSC outdoor fan motor.

High Ambient Outdoor Fan Motor S1-FHM**HT:** Class F 70°C motor to allow cooling operation up to 160°F air entering the outdoor unit. For use with all R-410A single stage AC and HP models.

Compressor Crankcase Heater Kit (S1-025***):** A wrap-around electrical resistance heater that warms the compressor sump, reducing the chance of liquid slugging on startup. Required on all long lineset and low ambient applications. See Price Pages or Source1 SmartSearch for the correct part for

each application.

Anchor Bracket Kit S1-1HK0401: Firmly anchors unit to pad or support structure. When properly installed, approved for ground-mounted or roof-mounted applications.

Indoor TXV Kit S1-1TVM*:** Thermal expansion valves precisely meter refrigerant for optimum performance over a wide range of conditions. See System Charge Table, Price Pages, or Source1 Smart Search for TXV part number for each AC and HP model.

Winter Cover Kit S1-CCVRE*:** Custom fit winter cover protects AC condensing unit from debris during the off-season. Must be removed prior to unit operation. See Price Pages or Source1 SmartSearch for the correct cover for each application.

Cold Weather Charging Tent S1-CHGTENT01: Provides warm environment to accurately service AC and HP systems in ambient conditions 55°F (13°C) or colder.

Touch-up Paint S1-5130153**:** Color matched aerosol paint for touching up unit chassis and panels. See Price Pages or Source1 SmartSearch for the correct color for each application.

Compressor Sound Blanket S1-01007xxx000: A field installed dense foam cover that provides 2dBA sound level reduction. See Price Pages or Source1 SmartSearch for the correct blanket for each application.

Thermostat: Compatible thermostat controls are available through accessory sourcing. For optimum performance, these outdoor units are fully compatible with our York Hx™ Touch-screen Thermostats available through Source1. For more information, see the thermostat section of the Product Equipment Catalog.

SOUND POWER RATINGS - COOLING

Cooling	Octave Band Sound Power Level (db re. 1-pW)									
	Model Number	63	125	250	500	1000	2000	4000	8000	dBA
	THE30B(3,4)1S	68.0	70.6	68.3	70.0	68.9	65.5	64.7	61.1	76
	THE36B(3,4)2S	68.4	70.2	68.8	68.9	69.0	65.0	63.3	60.2	73
	THE42B(3,4)3S	69.3	72.9	65.6	68.9	72.1	62.9	57.6	53.1	74
	THE48B(3,4)1S	58.0	70.7	64.1	68.3	66.1	61.7	57.9	56.0	78
	THE60B(3,4)1S	69.1	71.6	68.9	71.3	70.2	65.5	61.5	58.4	78
Heating		Octave Band Sound Power Level (db re. 1-pW)								
Model Number	63	125	250	500	1000	2000	4000	8000	dBA	
	THE30B(3,4)1S	70.3	74.6	70.5	71.9	68.9	66.0	60.4	58.7	76
	THE36B(3,4)2S	69.3	70.0	70.8	71.3	70.8	67.1	62.5	61.3	75
	THE42B(3,4)3S	69.2	68.4	65.9	70.8	69.3	64.6	62.1	57.9	73
	THE48B(3,4)1S	61.2	69.6	65.8	68.1	65.5	60.3	55.2	52.4	78
	THE60B(3,4)1S	72.6	73.4	70.8	71.9	69.0	67.2	65.4	65.5	78

Rated in accordance with ARI Standard 270.

MECHANICAL SPECIFICATIONS

MANUFACTURE AND CERTIFICATIONS

- Units shall be manufactured in an ISO 9001 certified facility.
- Units shall be certified by CSA to UL 1995 / CSA 22.2 and performance certified to ANSI/AHRI Standard 210/240.
- Units shall be sound tested according to ANSI/AHRI Standard 270.
- Certified matched system ratings will be available for download from the AHRI online directory at www.ahridirectory.org.
- Unit packaging shall be marked, "Assembled in the USA"

UNIT APPLICATION

- Units shall be approved for cooling operation between 55°F and 125°F without modification.
- Units shall be approved for heating operation between -20°F and 75°F without modification.
- Units shall be approved for linesets up to 80 ft equivalent length without modification.
- Units shall be approved for installation within 6 inches of a flat vertical wall without modification, according to the instructions in the technical literature.
- Units shall be certified to the 5th Edition (2014) of the Florida Building Code for a combined allowable lateral and uplift wind force of 200 psf and 100 psf, respectively, for both ground-mounted and rooftop-mounted applications up to 200 ft above grade with approved mounting kit

UNIT ACCESS

- Units shall have a removable fan guard that can be removed independently of the top for interior access through the top of the unit without damaging the coil.
- Units shall have two removable stamped steel coil guards for exterior coil access.
- Units shall have a separate compartment for electrical controls that can be accessed without disturbing the unit airflow.
- Units shall have a blockoff panel that can be removed to provide interior unit access through the side of the unit.
- Units shall have a removable blockoff panel and a swing away removable electrical panel that provides sufficient interior unit access for removing the compressor through the side of the unit.

UNIT CONSTRUCTION

- Units shall be shipped completely wired, piped and assembled. Wiring pigtails shall be provided for field control wiring connections. Service valves shall be provided for field refrigerant line connections.
- Units shall be factory leak checked, run tested, and shipped with a holding charge of R-410A refrigerant.

- Unit cabinet components shall be G90 equivalent steel finished with powder-coat paint rated at a minimum of 1,000 hours under ASTM B117 testing.
- Unit base pan shall be stamped G90 equivalent steel finished with powder-coat paint rated at a minimum of 500 hours under ASTM B117 testing.
- Units shall have a single corner post opposite the electrical control box and two independently removable steel coil guard panels to optimize cabinet strength and serviceability.
- Units shall have L-shaped stamped sheet metal coil guards with extruded slots for maximum panel durability and stiffness.
- Units shall have a factory installed filter-drier for faster installation and improved system reliability.
- Unit base valves shall be mounted diagonally on the unit base pan with service ports that provide sufficient clearance for low-loss hose fittings.
- Units shall provide a service port mounted in the base pan such that panels can be removed without moving the service port.
- Units shall be constructed with a high pressure switch and a low pressure switch for system protection.
- Units shall be constructed with all badging and labels applied at the factory.

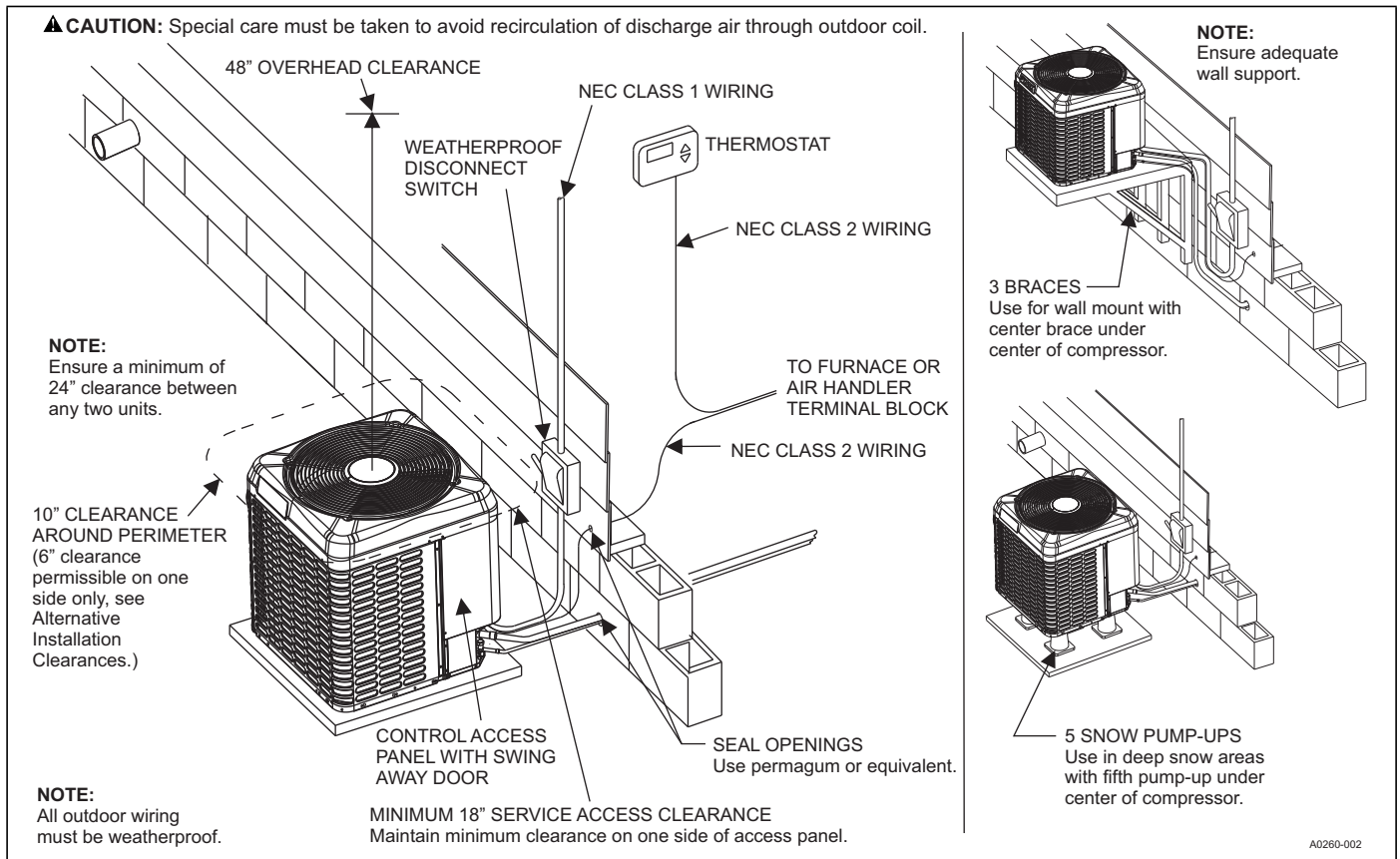
UNIT COMPONENTS

- Compressor shall be hermetic with internal electrical overload protection and internal overpressure protection.
- Compressor shall be mounted on rubber vibration isolators that do not require the removal of transportation clips or brackets.
- Units shall be constructed with internally sprung reciprocating compressors for low vibration. (Applies to select models).
- Units shall be constructed with scroll compressors.
- Outdoor fan shall be direct drive with vertical air discharge for low sound levels.
- Outdoor fan motor shall be totally enclosed with permanently lubricated ball bearings motors approved for vertical shaft applications.
- Outdoor coil shall be air cooled and constructed of enhanced aluminum fins mechanically bonded to internally enhanced Ø 7mm copper tubing.

UNIT WARRANTIES

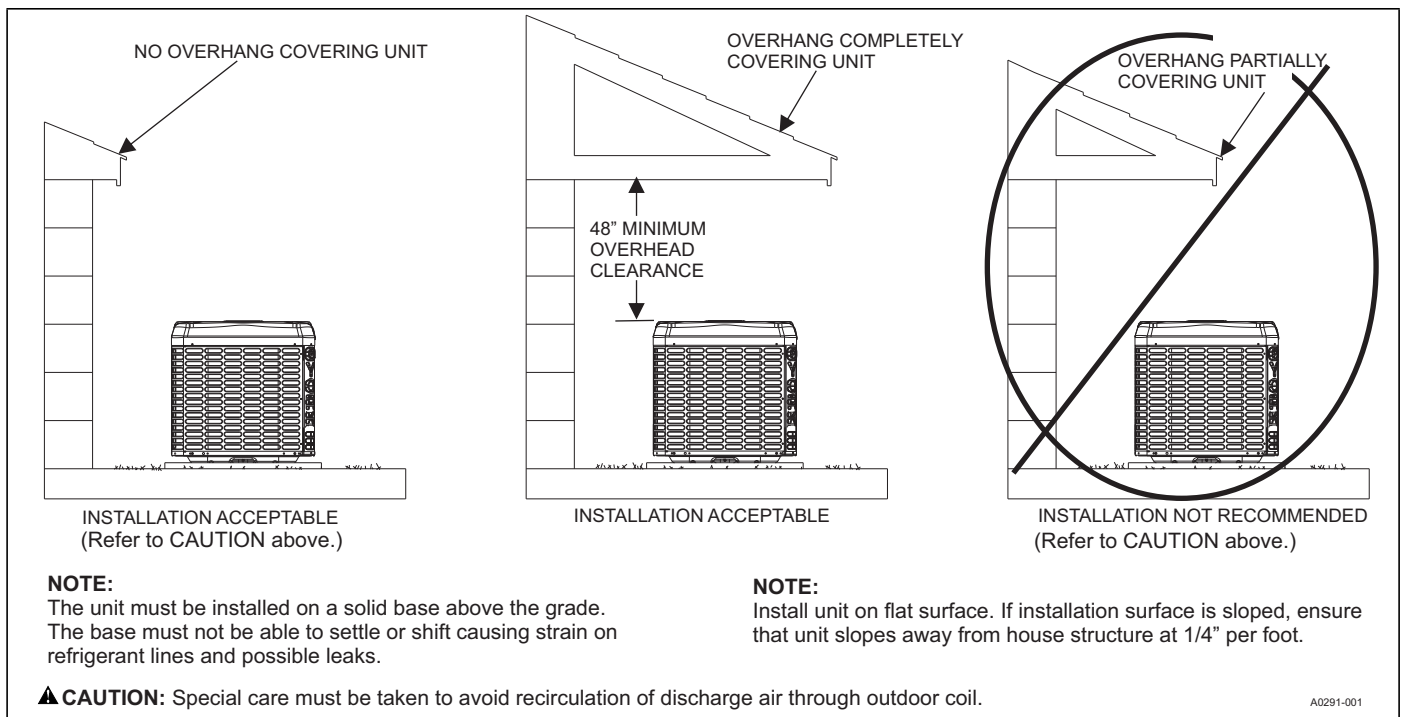
- Unit manufacturer shall provide a 5-Year compressor warranty without a requirement for unit registration.
- Unit manufacturer shall provide a 5-Year parts warranty without a requirement for unit registration.

TYPICAL INSTALLATION

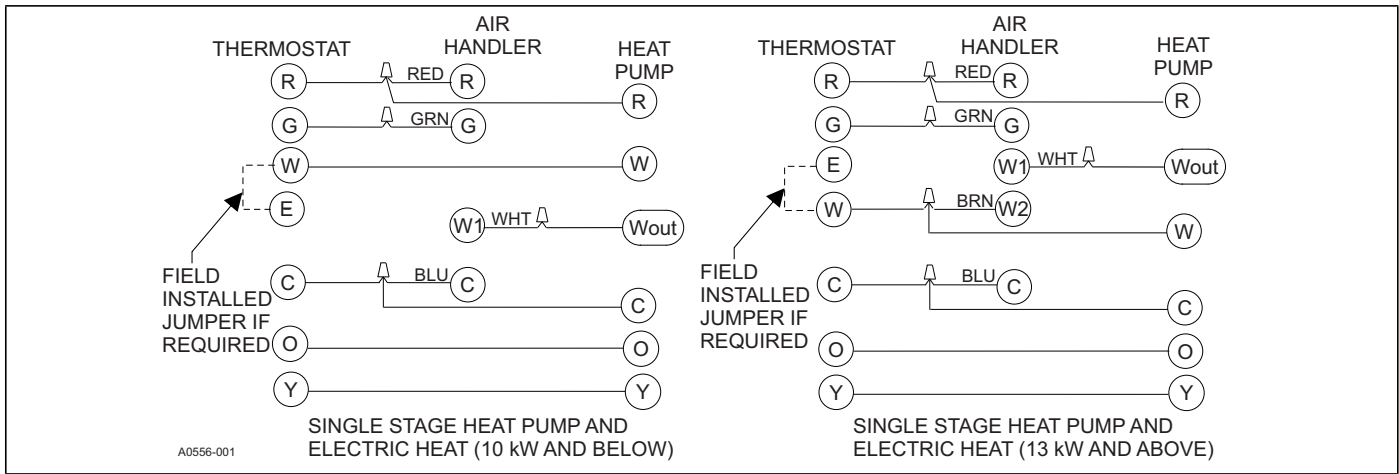


▲ CAUTION

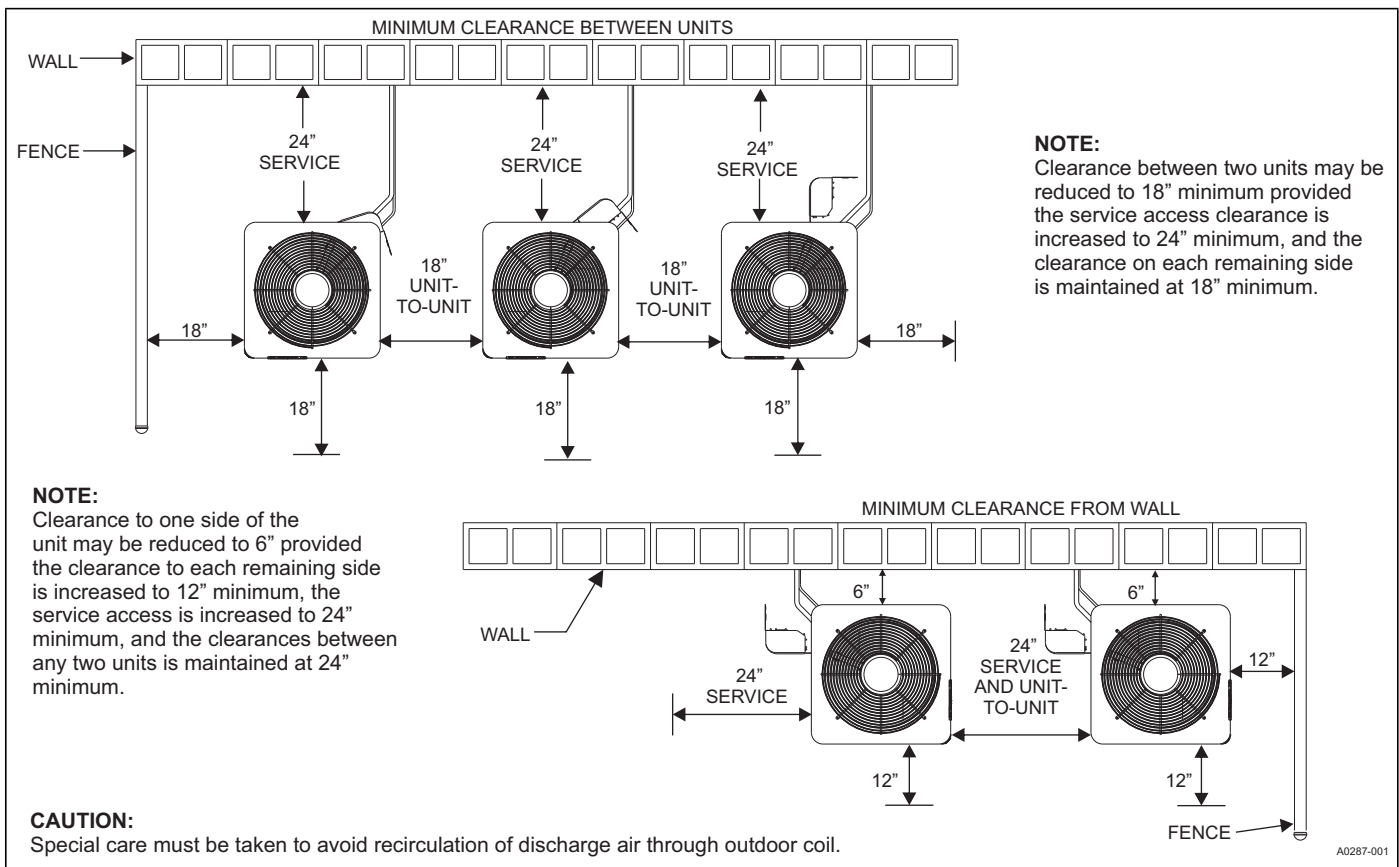
Care must be taken to prevent ice from damaging the unit. Damage may occur from ice falling onto unit from a sloped roof or from a vertical drip line due to a partial overhang.



TYPICAL FIELD WIRING



ALTERNATIVE INSTALLATION CLEARANCES



PERFORMANCE DATA - 2.5 TON

CONDENSER-ONLY DATA (OUTDOOR UNIT)																
MODEL	SATURATED SUCTION AT COMPRESSOR		Outdoor Ambient Temperature													
			65 °F		75 °F		85 °F		95 °F		105 °F		115 °F		125 °F	
	T (°F)	P (PSIG)	MBH	KW	MBH	KW	MBH	KW	MBH	KW	MBH	KW	MBH	KW	MBH	KW
THE30B(3,4)1S	35	107	26.6	1.45	24.8	1.62	23.0	1.79	21.2	1.95	19.4	2.12	17.6	2.29	15.8	2.46
	40	119	30.0	1.43	28.0	1.61	26.0	1.80	23.9	1.98	21.9	2.16	19.9	2.35	17.9	2.53
	45	130	33.4	1.41	31.1	1.61	28.9	1.81	26.7	2.01	24.5	2.20	22.2	2.40	20.0	2.60
	50	143	36.7	1.39	34.3	1.60	31.9	1.82	29.4	2.03	27.0	2.25	24.5	2.46	22.1	2.67
	55	156	40.1	1.37	37.5	1.60	34.8	1.83	32.2	2.06	29.5	2.29	26.9	2.52	24.2	2.74

Notes:

1. For Outdoor Unit (Condenser) performance only. Data does not include the effects of air handler power or heat.
2. Performance based on 15°F subcooling and 15°F superheat at the Outdoor Unit base valves.
 - a. Increase capacity by 1% for each 2°F increase in subcooling.
 - b. Decrease capacity by 1% for each 2°F decrease in subcooling.
3. Maximum recommended condensing temperature is 140°F.

COOLING PERFORMANCE DATA																
AIR CONDITIONER MODEL NO.		THE30B(3,4)1S														
AIR TEMP. ENTERING OUTDOOR UNIT (°F)	IDCFM	800					1000					1200				
	ID DB (°F)	80	80	75	80	80	80	80	75	80	80	80	80	75	80	80
	ID WB (°F)	57	62	62	67	72	57	62	62	67	72	57	62	62	67	72
65	T.C.	27.2	29.1	29.5	31.1	32.4	28.4	29.5	29.7	31.3	32.2	29.7	29.9	29.9	31.4	32.1
	S.C.	27.0	24.3	21.0	19.8	15.4	28.2	26.0	22.4	21.0	15.9	29.5	27.8	23.7	22.2	16.5
	KW	1.75	1.76	1.77	1.77	1.77	1.83	1.84	1.84	1.84	1.85	1.90	1.91	1.91	1.92	1.92
75	T.C.	26.9	28.3	28.8	31.6	34.0	28.5	29.2	29.4	32.1	34.0	30.0	30.0	29.9	32.6	34.0
	S.C.	26.6	24.3	20.9	20.7	16.3	28.2	26.9	23.0	22.7	17.3	29.8	29.5	25.0	24.6	18.2
	KW	1.91	1.93	1.93	1.93	1.92	1.98	2.00	2.00	2.00	2.00	2.06	2.07	2.07	2.08	2.08
85	T.C.	25.7	27.0	27.2	30.1	32.9	27.2	27.8	27.8	30.6	33.1	28.7	28.6	28.4	31.0	33.4
	S.C.	25.5	23.5	20.0	20.1	15.9	27.0	25.9	22.1	22.1	17.1	28.6	28.4	24.2	24.1	18.2
	KW	2.12	2.14	2.13	2.13	2.12	2.19	2.21	2.21	2.21	2.20	2.26	2.27	2.28	2.28	2.27
95	T.C.	24.5	25.7	25.6	28.6	31.7	26.0	26.5	26.3	29.0	32.3	27.4	27.2	26.9	29.4	32.8
	S.C.	24.3	22.7	19.1	19.5	15.5	25.8	25.0	21.2	21.5	16.9	27.3	27.2	23.3	23.5	18.2
	KW	2.34	2.35	2.34	2.34	2.33	2.40	2.42	2.41	2.41	2.40	2.47	2.48	2.49	2.48	2.47
105	T.C.	23.2	24.1	24.0	26.8	29.7	24.5	24.9	24.5	27.2	30.1	25.8	25.7	25.1	27.5	30.6
	S.C.	23.0	21.9	18.2	18.8	14.8	24.4	23.8	20.3	20.8	16.1	25.7	25.7	22.3	22.8	17.4
	KW	2.65	2.66	2.65	2.65	2.63	2.71	2.72	2.72	2.72	2.70	2.77	2.78	2.79	2.79	2.77
115	T.C.	21.9	22.6	22.4	25.1	27.7	23.1	23.4	22.9	25.4	28.1	24.3	24.2	23.3	25.7	28.4
	S.C.	21.7	21.0	17.4	18.0	14.1	23.0	22.6	19.4	20.1	15.4	24.2	24.2	21.4	22.2	16.7
	KW	2.95	2.95	2.95	2.95	2.93	3.01	3.02	3.02	3.01	2.99	3.07	3.08	3.09	3.08	3.06
125	T.C.	20.6	21.1	20.8	23.4	25.8	21.7	21.9	21.2	23.7	26.1	22.8	22.7	21.6	23.9	26.3
	S.C.	20.4	20.2	16.5	17.3	13.4	21.6	21.5	18.5	19.4	14.7	22.7	22.7	20.5	21.5	15.9
	KW	3.24	3.25	3.25	3.24	3.22	3.31	3.31	3.32	3.31	3.29	3.37	3.37	3.38	3.38	3.35

NOTE: ALL CAPACITIES INCLUDE INDOOR FAN HEAT. KW VALUES ARE FOR THE SYSTEM (OUTDOOR + INDOOR).

Green shaded cells are ACCA (TVA) conditions.

Blue shaded cells are AHRJ conditions.

Multipliers for determining the performance with other indoor sections.

NOTE: For dry bulb temperatures different than those listed (between 73-87 °F), sensible capacity increases by 1060 BTUH per 1000 CFM per degree above the listed temperature and decreases by 1060 BTUH per 1000 CFM per degree below the listed temperature.

COIL MULTIPLIERS - 2.5 TON

Air Handler	Coil	T.C.	S.C.	KW
—	XAF/XAUB30C	1.01	1.02	1.00
—	XAFC30C	1.01	1.02	1.00
—	XAHB30C	1.00	1.02	1.00
—	XAHC30C	1.00	1.02	1.00
—	CF/CM/CU36B	1.00	1.00	1.00
—	CF/CM/CU36C	1.00	1.00	1.00
—	CF/CM/CU36D	1.00	1.00	1.00
—	CF/CM/CU42C	1.01	1.01	1.02
—	CF/CM/CU42D	1.01	1.01	1.02
—	CF/CM36A	0.99	0.99	1.00
AE30BX21	—	0.98	0.99	1.00
AE36BX21	—	1.02	1.02	0.93
AE36CX21	—	1.02	1.03	0.91
AE42CX21	—	1.03	1.04	0.92
AP30BX21	—	0.99	0.99	1.00
AP36BX21	—	1.00	1.00	1.00
AVC30BX21	—	0.98	0.99	1.00
AVC36BX21	—	1.02	1.03	0.92
AVC36CX21	—	1.03	1.03	0.91
AVC42CX21	—	1.02	1.03	0.91
ME12BN21	CF/CM36B	1.01	1.02	0.96
ME12BN21	CF42B	1.04	1.04	0.96
ME12BN21	XAF/XAUB30C	1.03	1.05	0.93
ME12BN21	XAF/XAUB36D	1.03	1.02	0.95
ME12BN21	XAHB30C	1.03	1.05	0.93
ME12BN21	XAHB36D	1.02	1.05	0.95
ME12CN21	XAFC30C	1.03	1.03	0.91
ME12CN21	XAFC36D	1.02	1.03	0.94
ME12CN21	XAHC30C	1.02	1.05	0.92
ME12CN21	XAHC36D	1.02	1.06	0.95
ME14DN21	CF/CM36D	1.02	1.03	0.94
ME14DN21	CF/CM42D	1.03	1.04	0.96
ME16CN21	CF/CM36C	1.01	1.01	0.98
ME16CN21	CF/CM42C	1.03	1.02	0.99
ME16CN21	XAFC30C	1.03	1.04	0.92
ME16CN21	XAFC36D	1.03	1.02	0.95
ME16CN21	XAHC30C	1.02	1.05	0.92
ME16CN21	XAHC36D	1.03	1.06	0.95
MVC08BN21	CF42B	1.03	1.04	0.97
MVC12BN21	CF/CM36B	1.01	1.02	0.98
MVC12BN21	CF42B	1.04	1.04	0.98
MVC12BN21	XAF/XAUB30C	1.03	1.04	0.92
MVC12BN21	XAF/XAUB36D	1.02	1.02	0.94
MVC12BN21	XAHB30C	1.02	1.05	0.93
MVC12BN21	XAHB36D	1.02	1.05	0.96
MVC12CN21	XAFC30C	1.03	1.05	0.91
MVC12CN21	XAFC36D	1.03	1.02	0.94
MVC12CN21	XAHC30C	1.03	1.05	0.91
MVC12CN21	XAHC36D	1.03	1.06	0.94
MVC14DN21	CF/CM36D	1.02	1.03	0.95
MVC14DN21	CF/CM42D	1.03	1.04	0.96
MVC16CN21	CF/CM36C	1.03	1.03	0.95

COIL MULTIPLIERS - 2.5 TON (Continued)

MVC16CN21	CF/CM42C	1.04	1.04	0.97
MVC16CN21	XAFC30C	1.03	1.05	0.92
MVC16CN21	XAFC36D	1.03	1.03	0.94
MVC16CN21	XAHC30C	1.04	1.05	0.91
MVC16CN21	XAHC36D	1.03	1.06	0.94

FURNACE MULTIPLIERS - 2.5 TON

Furnaces	Coil	T.C.	S.C.	KW
TL8E060A12UH11	XAF/XAUB30C	1.02	1.03	0.95
TL8E060A12UH11	XAF/XAUB36D	1.02	1.01	0.98
TL8E060A12UH11	XAFA30D	1.00	1.03	0.96
TL8E060A12UH11	XAHB30C	1.02	1.04	0.96
TL8E060A12UH11	XAHB36D	1.00	1.04	0.97
TL8E080C16UH11	XAFC30C	1.03	1.03	0.93
TL8E080C16UH11	XAFC36D	1.01	1.02	0.95
TL8E080C16UH11	XAHC30C	1.01	1.04	0.93
TL8E080C16UH11	XAHC36D	1.02	1.05	0.96
TL8E100C20UH11	XAFC30C	1.03	1.04	0.92
TL8E100C20UH11	XAFC36D	1.03	1.02	0.94
TL8E100C20UH11	XAHC30C	1.03	1.06	0.93
TL8E100C20UH11	XAHC36D	1.02	1.05	0.94
TL9E060B12UH11	XAF/XAUB30C	1.01	1.02	0.97
TL9E060B12UH11	XAF/XAUB36D	1.01	1.03	0.97
TL9E060B12UH11	XAFC30C	1.01	1.02	0.97
TL9E060B12UH11	XAHB30C	1.01	1.04	0.95
TL9E060B12UH11	XAHB36D	1.00	1.04	0.98
TL9E060B12UH11	XAHC30C	1.01	1.05	0.95
TL9E080C16UH11	XAFC30C	1.02	1.04	0.94
TL9E080C16UH11	XAFC36D	1.01	1.03	0.95
TL9E080C16UH11	XAHC30C	1.02	1.05	0.94
TL9E080C16UH11	XAHC36D	1.02	1.05	0.96
TL9E100C20UH11	XAFC30C	1.03	1.03	0.92
TL9E100C20UH11	XAFC36D	1.03	1.01	0.95
TL9E100C20UH11	XAHC30C	1.03	1.05	0.93
TL9E100C20UH11	XAHC36D	1.02	1.05	0.95
TM8E040A12MP11	XAF/XAUB30C	1.02	1.03	0.94
TM8E040A12MP11	XAF/XAUB36D	1.01	1.03	0.96
TM8E040A12MP11	XAFA30D	1.02	1.01	0.98
TM8E040A12MP11	XAHB30C	1.01	1.04	0.95
TM8E040A12MP11	XAHB36D	1.01	1.04	0.96
TM8E060A12MP11	XAF/XAUB30C	1.02	1.03	0.94
TM8E060A12MP11	XAF/XAUB36D	1.01	1.03	0.96
TM8E060A12MP11	XAFA30D	1.01	1.01	0.98
TM8E060A12MP11	XAHB30C	1.01	1.04	0.95
TM8E060A12MP11	XAHB36D	1.01	1.04	0.96
TM8E080B12MP11	XAF/XAUB30C	1.02	1.03	0.95
TM8E080B12MP11	XAF/XAUB36D	1.01	1.02	0.96
TM8E080B12MP11	XAFC30C	1.02	1.03	0.95
TM8E080B12MP11	XAHB30C	1.01	1.04	0.95
TM8E080B12MP11	XAHB36D	1.00	1.03	0.96
TM8E080C16MP11	XAFC30C	1.03	1.04	0.93
TM8E080C16MP11	XAFC36D	1.02	1.01	0.95
TM8E080C16MP11	XAHC36D	1.03	1.06	0.96

FURNACE MULTIPLIERS - 2.5 TON (Continued)

Furnaces	Coil	T.C.	S.C.	KW
TM8E080C20MP11	XAFC36D	1.04	1.00	0.96
TM8E080C20MP11	XAHC36D	1.04	1.06	0.95
TM8E100B12MP11	XAF/XAUB30C	1.02	1.03	0.95
TM8E100B12MP11	XAF/XAUB36D	1.01	1.02	0.96
TM8E100B12MP11	XAFC30C	1.02	1.03	0.95
TM8E100B12MP11	XAHB30C	1.02	1.04	0.95
TM8E100B12MP11	XAHB36D	1.00	1.03	0.96
TM8E100C16MP11	XAFC30C	1.03	1.03	0.93
TM8E100C16MP11	XAFC36D	1.02	1.03	0.95
TM8E100C16MP11	XAHC36D	1.02	1.05	0.96
TM8E100C20MP11	XAFC36D	1.04	1.00	0.96
TM8E100C20MP11	XAHC36D	1.04	1.06	0.96
TM8E120C16MP11	XAFC30C	1.03	1.03	0.93
TM8E120C16MP11	XAFC36D	1.01	1.02	0.95
TM8E120C16MP11	XAHC36D	1.02	1.05	0.96
TM8V060A12MP11	CF/CM/36A	1.00	1.01	0.99
TM8V060A12MP12C	XAF/XAUB30C	1.02	1.04	0.95
TM8V060A12MP12C	XAF/XAUB36D	1.01	1.04	0.96
TM8V060A12MP12C	XAFA30D	1.01	1.02	0.97
TM8V060A12MP12C	XAHB30C	1.02	1.04	0.96
TM8V060A12MP12C	XAHB36D	1.01	1.04	0.97
TM8V080B12MP11	CF/CM/36B	1.01	1.01	0.97
TM8V080B12MP11	CF42B	1.03	1.02	0.99
TM8V080B12MP12C	XAF/XAUB30C	1.01	1.03	0.98
TM8V080B12MP12C	XAF/XAUB36D	1.01	1.01	0.98
TM8V080B12MP12C	XAFC30C	1.01	1.03	0.97
TM8V080B12MP12C	XAHB30C	1.01	1.03	0.97
TM8V080B12MP12C	XAHB36D	1.00	1.03	0.99
TM8V080C16MP11	CF/CM/36C	1.01	1.00	0.95
TM8V080C16MP11	CF/CM/42C	1.04	1.04	0.97
TM8V080C16MP12C	XAFC30C	1.02	1.04	0.93
TM8V080C16MP12C	XAFC36D	1.02	1.02	0.96
TM8V080C16MP12C	XAHC36D	1.02	1.05	0.96
TM8V100C16MP11	CF/CM/36C	1.01	1.00	0.95
TM8V100C16MP11	CF/CM/42C	1.04	1.04	0.97
TM8V100C16MP12C	XAFC30C	1.02	1.04	0.93
TM8V100C16MP12C	XAFC36D	1.02	1.02	0.96
TM8V100C16MP12C	XAHC36D	1.02	1.05	0.96
TM8V100C20MP12C	XAFC30C	1.03	1.03	0.92
TM8V100C20MP12C	XAFC36D	1.04	1.01	0.96
TM8V100C20MP12C	XAHC36D	1.03	1.06	0.96
TM8V120C20MP12C	XAFC30C	1.03	1.03	0.92
TM8V120C20MP12C	XAFC36D	1.04	1.01	0.96
TM8V120C20MP12C	XAHC36D	1.03	1.06	0.96
TM8X060A12MP11	CF/CM/36A	1.01	1.01	0.97
TM8X080B12MP11	CF/CM/36B	1.01	1.02	0.96
TM8X080B12MP11	CF42B	1.03	1.03	0.97
TM8X080C16MP11	CF/CM/36C	1.01	1.02	0.96
TM8X080C16MP11	CF/CM/36D	1.02	1.02	0.96
TM8X080C16MP11	CF/CM/42C	1.03	1.03	0.96
TM8X080C16MP11	CF/CM/42D	1.03	1.03	0.96
TM8X100C16MP11	CF/CM/36C	1.01	1.02	0.96
TM8X100C16MP11	CF/CM/36D	1.02	1.02	0.96
TM8X100C16MP11	CF/CM/42C	1.03	1.03	0.96
TM8X100C16MP11	CF/CM/42D	1.03	1.03	0.96

FURNACE MULTIPLIERS - 2.5 TON (Continued)

Furnaces	Coil	T.C.	S.C.	KW
TM8X100C20MP11	CF/CM/36C	1.01	1.02	0.96
TM8X100C20MP11	CF/CM/36D	1.02	1.02	0.96
TM8X100C20MP11	CF/CM/42C	1.03	1.03	0.96
TM8X100C20MP11	CF/CM/42D	1.03	1.03	0.96
TM8X120C20MP11	CF/CM/36C	1.01	1.02	0.96
TM8X120C20MP11	CF/CM/36D	1.02	1.02	0.96
TM8X120C20MP11	CF/CM/42C	1.03	1.03	0.96
TM8X120C20MP11	CF/CM/42D	1.03	1.03	0.96
TM8Y060A12MP11	CF/CM/36A	1.01	1.01	0.97
TM8Y060A12MP11	XAF/XAUB30C	1.01	1.04	0.95
TM8Y060A12MP11	XAF/XAUB36D	1.01	1.01	0.97
TM8Y060A12MP11	XAFA30D	1.01	1.02	0.98
TM8Y060A12MP11	XAHB30C	1.01	1.04	0.96
TM8Y060A12MP11	XAHB36D	1.01	1.04	0.98
TM8Y080B12MP11	CF/CM/36B	1.01	1.02	0.96
TM8Y080B12MP11	CF42B	1.03	1.03	0.97
TM8Y080B12MP11	XAF/XAUB30C	1.02	1.04	0.94
TM8Y080B12MP11	XAF/XAUB36D	1.01	1.04	0.96
TM8Y080B12MP11	XAFC30C	1.02	1.04	0.94
TM8Y080B12MP11	XAHB30C	1.02	1.04	0.95
TM8Y080B12MP11	XAHB36D	1.01	1.05	0.97
TM8Y080C16MP11	CF/CM/36C	1.01	1.02	0.96
TM8Y080C16MP11	CF/CM/36D	1.02	1.02	0.96
TM8Y080C16MP11	CF/CM/42C	1.03	1.03	0.96
TM8Y080C16MP11	CF/CM/42D	1.03	1.03	0.96
TM8Y080C16MP11	XAFC30C	1.03	1.03	0.93
TM8Y080C16MP11	XAFC36D	1.02	1.03	0.95
TM8Y080C16MP11	XAHC36D	1.02	1.06	0.95
TM8Y100C16MP11	CF/CM/36C	1.01	1.02	0.96
TM8Y100C16MP11	CF/CM/36D	1.02	1.02	0.96
TM8Y100C16MP11	CF/CM/42C	1.03	1.03	0.96
TM8Y100C16MP11	CF/CM/42D	1.03	1.03	0.96
TM8Y100C16MP11	XAFC30C	1.03	1.03	0.93
TM8Y100C16MP11	XAFC36D	1.02	1.03	0.95
TM8Y100C16MP11	XAHC36D	1.02	1.06	0.95
TM8Y100C20MP11	CF/CM/36C	1.01	1.02	0.96
TM8Y100C20MP11	CF/CM/36D	1.02	1.02	0.96
TM8Y100C20MP11	CF/CM/42C	1.03	1.03	0.96
TM8Y100C20MP11	CF/CM/42D	1.03	1.03	0.96
TM8Y100C20MP11	XAFC30C	1.03	1.03	0.92
TM8Y100C20MP11	XAFC36D	1.02	1.03	0.95
TM8Y100C20MP11	XAHC36D	1.02	1.06	0.95
TM8Y120C20MP11	CF/CM/36C	1.01	1.02	0.96
TM8Y120C20MP11	CF/CM/36D	1.02	1.02	0.96
TM8Y120C20MP11	CF/CM/42C	1.03	1.03	0.96
TM8Y120C20MP11	CF/CM/42D	1.03	1.03	0.96
TM8Y120C20MP11	XAFC30C	1.03	1.03	0.92
TM8Y120C20MP11	XAFC36D	1.02	1.03	0.95
TM8Y120C20MP11	XAHC36D	1.02	1.06	0.95
TM9E026A08MP12	XAF/XAUB36D	1.00	1.01	1.00
TM9E026A08MP12	XAFA30D	0.99	1.01	1.00
TM9E040A10MP11	CF/CM/36A	1.00	1.01	0.99
TM9E040A10MP12	XAF/XAUB30C	1.00	1.03	0.97
TM9E040A10MP12	XAF/XAUB36D	1.00	1.01	0.99
TM9E040A10MP12	XAFA30D	1.00	1.02	1.00

FURNACE MULTIPLIERS - 2.5 TON (Continued)

Furnaces	Coil	T.C.	S.C.	KW
TM9E040A10MP12	XAHB30C	1.00	1.03	0.97
TM9E060A10MP12	XAF/XAUB30C	1.01	1.02	0.98
TM9E060A10MP12	XAF/XAUB36D	1.00	1.02	0.98
TM9E060A10MP12	XAFA30D	1.00	1.02	0.98
TM9E060A10MP12	XAHB30C	1.00	1.03	0.96
TM9E060A10MP12	XAHB36D	1.00	1.03	0.98
TM9E060B12MP11	CF/CM/CU36B	1.01	1.00	0.96
TM9E060B12MP11	CF42B	1.04	1.03	0.97
TM9E060B12MP12	XAF/XAUB30C	1.02	1.02	0.98
TM9E060B12MP12	XAF/XAUB36D	1.01	1.02	0.98
TM9E060B12MP12	XAFC30C	1.01	1.04	0.96
TM9E060B12MP12	XAHB30C	1.01	1.03	0.96
TM9E060B12MP12	XAHB36D	1.00	1.03	0.99
TM9E060B12MP12	XAHC30C	1.01	1.04	0.96
TM9E080B12MP11	CF/CM/CU36B	1.01	1.00	0.96
TM9E080B12MP11	CF42B	1.04	1.03	0.97
TM9E080B12MP12	XAF/XAUB30C	1.02	1.03	0.95
TM9E080B12MP12	XAF/XAUB36D	1.02	1.01	0.98
TM9E080B12MP12	XAFC30C	1.02	1.03	0.95
TM9E080B12MP12	XAHB30C	1.02	1.04	0.96
TM9E080B12MP12	XAHB36D	1.01	1.04	0.98
TM9E080B12MP12	XAHC30C	1.02	1.04	0.95
TM9E080C16MP11	CF/CM/CU36C	1.01	1.01	0.98
TM9E080C16MP11	CF/CM/CU36D	1.01	1.02	0.98
TM9E080C16MP11	CF/CM/CU42C	1.03	1.03	0.97
TM9E080C16MP11	CF/CM/CU42D	1.03	1.03	0.97
TM9E080C16MP12	XAFC30C	1.02	1.03	0.93
TM9E080C16MP12	XAFC36D	1.01	1.03	0.95
TM9E080C16MP12	XAHC30C	1.02	1.05	0.94
TM9E080C16MP12	XAHC36D	1.02	1.05	0.96
TM9E080C20MP12	XAFC30C	1.03	1.03	0.93
TM9E080C20MP12	XAFC36D	1.04	1.00	0.96
TM9E080C20MP12	XAHC30C	1.03	1.05	0.93
TM9E080C20MP12	XAHC36D	1.03	1.06	0.95
TM9E100C16MP11	CF/CM/CU36C	1.01	1.01	0.98
TM9E100C16MP11	CF/CM/CU36D	1.01	1.02	0.98
TM9E100C16MP11	CF/CM/CU42C	1.03	1.03	0.97
TM9E100C16MP11	CF/CM/CU42D	1.03	1.03	0.97
TM9E100C16MP12	XAFC30C	1.02	1.04	0.93
TM9E100C16MP12	XAFC36D	1.03	1.02	0.96
TM9E100C16MP12	XAHC30C	1.01	1.04	0.93
TM9E100C16MP12	XAHC36D	1.02	1.05	0.96
TM9E100C20MP11	CF/CM/CU36C	1.02	1.03	0.94
TM9E100C20MP11	CF/CM/CU36D	1.02	1.03	0.94
TM9E100C20MP11	CF/CM/CU42C	1.04	1.05	0.96
TM9E100C20MP11	CF/CM/CU42D	1.04	1.05	0.96
TM9E100C20MP12	XAFC30C	1.03	1.03	0.93
TM9E100C20MP12	XAFC36D	1.04	1.01	0.96
TM9E100C20MP12	XAHC30C	1.03	1.04	0.93
TM9E100C20MP12	XAHC36D	1.03	1.06	0.95
TM9E120D20MP11	CF/CM/CU36D	1.02	1.03	0.95
TM9E120D20MP11	CF/CM/CU42D	1.04	1.05	0.96
TM9V040A10MP12C	XAF/XAUB30C	1.00	1.02	0.99
TM9V040A10MP12C	XAF/XAUB36D	1.00	1.00	1.00
TM9V040A10MP12C	XAFA30D	0.99	1.02	0.99

FURNACE MULTIPLIERS - 2.5 TON (Continued)

Furnaces	Coil	T.C.	S.C.	KW
TM9V040A10MP12C	XAHB30C	1.00	1.03	0.97
TM9V060B12MP11	CF/CM/CU36B	1.01	1.02	0.98
TM9V060B12MP11	CF42B	1.04	1.03	0.97
TM9V060B12MP12C	XAF/XAUB30C	1.01	1.03	0.97
TM9V060B12MP12C	XAF/XAUB36D	1.01	1.02	0.98
TM9V060B12MP12C	XAFC30C	1.01	1.03	0.97
TM9V060B12MP12C	XAHB30C	1.01	1.04	0.96
TM9V060B12MP12C	XAHB36D	1.01	1.04	0.99
TM9V060B12MP12C	XAHC30C	1.01	1.04	0.95
TM9V080B12MP11	CF/CM/CU36B	1.01	1.02	0.98
TM9V080B12MP11	CF42B	1.04	1.03	0.97
TM9V080B12MP12C	XAF/XAUB30C	1.02	1.04	0.94
TM9V080B12MP12C	XAF/XAUB36D	1.02	1.01	0.98
TM9V080B12MP12C	XAFC30C	1.02	1.04	0.94
TM9V080B12MP12C	XAHB30C	1.02	1.04	0.96
TM9V080B12MP12C	XAHB36D	1.00	1.04	0.97
TM9V080B12MP12C	XAHC30C	1.02	1.04	0.95
TM9V080C16MP11	CF/CM/CU36C	1.02	1.03	0.94
TM9V080C16MP11	CF/CM/CU42C	1.04	1.04	0.96
TM9V080C16MP12C	XAFC30C	1.02	1.04	0.93
TM9V080C16MP12C	XAFC36D	1.02	1.02	0.96
TM9V080C16MP12C	XAHC30C	1.02	1.04	0.94
TM9V080C16MP12C	XAHC36D	1.02	1.05	0.97
TM9V100C16MP11	CF/CM/CU36C	1.02	1.03	0.94
TM9V100C16MP11	CF/CM/CU42C	1.04	1.04	0.96
TM9V100C16MP12C	XAFC30C	1.02	1.04	0.93
TM9V100C16MP12C	XAFC36D	1.02	1.01	0.95
TM9V100C16MP12C	XAHC30C	1.02	1.05	0.93
TM9V100C16MP12C	XAHC36D	1.02	1.05	0.96
TM9V100C20MP11	CF/CM/CU36C	1.00	1.02	0.96
TM9V100C20MP12C	XAFC30C	1.03	1.03	0.94
TM9V100C20MP12C	XAFC36D	1.03	1.00	0.97
TM9V100C20MP12C	XAHC30C	1.02	1.04	0.94
TM9V100C20MP12C	XAHC36D	1.03	1.05	0.97
TM9V120D20MP11	CF/CM/CU36D	1.03	1.03	0.94
TM9V120D20MP11	CF/CM/CU42D	1.03	1.03	0.94
TM9Y040A10MP11	CF/CM36A	1.00	1.01	0.99
TM9Y040A10MP11	XAF/XAUB30C	1.00	1.04	0.98
TM9Y060B12MP11	CF/CM/CU36B	1.01	1.00	0.96
TM9Y060B12MP11	CF42B	1.04	1.03	0.97
TM9Y060B12MP11	XAF/XAUB30C	1.01	1.03	0.95
TM9Y060B12MP11	XAF/XAUB36D	1.01	1.02	0.98
TM9Y060B12MP11	XAFC30C	1.01	1.03	0.95
TM9Y060B12MP11	XAHB30C	1.01	1.04	0.96
TM9Y060B12MP11	XAHB36D	1.01	1.04	0.99
TM9Y060B12MP11	XAHC30C	1.01	1.03	0.96
TM9Y080B12MP11	CF/CM/CU36B	1.01	1.00	0.96
TM9Y080B12MP11	CF42B	1.04	1.03	0.97
TM9Y080B12MP11	XAF/XAUB30C	1.02	1.04	0.95
TM9Y080B12MP11	XAF/XAUB36D	1.02	1.01	0.97
TM9Y080B12MP11	XAFC30C	1.02	1.04	0.95
TM9Y080B12MP11	XAHB30C	1.01	1.03	0.95
TM9Y080B12MP11	XAHB36D	1.01	1.04	0.98
TM9Y080B12MP11	XAHC30C	1.02	1.04	0.95
TM9Y080C16MP11	CF/CM/CU36C	1.01	1.01	0.98

FURNACE MULTIPLIERS - 2.5 TON (Continued)

Furnaces	Coil	T.C.	S.C.	KW
TM9Y080C16MP11	CF/CM/CU36D	1.01	1.02	0.98
TM9Y080C16MP11	CF/CM/CU42C	1.03	1.03	0.97
TM9Y080C16MP11	CF/CM/CU42D	1.03	1.03	0.97
TM9Y080C16MP11	XAFC30C	1.02	1.04	0.93
TM9Y080C16MP11	XAFC36D	1.01	1.02	0.96
TM9Y080C16MP11	XAHC30C	1.02	1.04	0.93
TM9Y080C16MP11	XAHC36D	1.01	1.05	0.96
TM9Y100C16MP11	CF/CM/CU36C	1.01	1.01	0.98
TM9Y100C16MP11	CF/CM/CU36D	1.01	1.02	0.98
TM9Y100C16MP11	CF/CM/CU42C	1.03	1.03	0.97
TM9Y100C16MP11	CF/CM/CU42D	1.03	1.03	0.97
TM9Y100C16MP11	XAFC30C	1.02	1.04	0.93
TM9Y100C16MP11	XAFC36D	1.02	1.03	0.96
TM9Y100C16MP11	XAHC30C	1.02	1.05	0.94
TM9Y100C16MP11	XAHC36D	1.01	1.05	0.95
TM9Y100C20MP11	CF/CM/CU36C	1.02	1.03	0.94
TM9Y100C20MP11	CF/CM/CU36D	1.02	1.03	0.94
TM9Y100C20MP11	CF/CM/CU42C	1.04	1.05	0.96
TM9Y100C20MP11	CF/CM/CU42D	1.04	1.05	0.96
TM9Y100C20MP11	XAFC30C	1.03	1.03	0.94
TM9Y100C20MP11	XAFC36D	1.03	1.01	0.97
TM9Y100C20MP11	XAHC30C	1.03	1.04	0.94
TM9Y100C20MP11	XAHC36D	1.03	1.05	0.97
TM9Y120D20MP11	CF/CM/CU36D	1.02	1.03	0.95
TM9Y120D20MP11	CF/CM/CU42D	1.04	1.05	0.96
TMLE040A12MP11	XAF/XAUB30C	1.02	1.03	0.94
TMLE040A12MP11	XAF/XAUB36D	1.01	1.03	0.96
TMLE040A12MP11	XAFA30D	1.02	1.01	0.98
TMLE040A12MP11	XAHB30C	1.01	1.04	0.95
TMLE040A12MP11	XAHB36D	1.01	1.04	0.96
TMLE060A12MP11	XAF/XAUB30C	1.02	1.03	0.94
TMLE060A12MP11	XAF/XAUB36D	1.01	1.03	0.96
TMLE060A12MP11	XAFA30D	1.01	1.01	0.98
TMLE060A12MP11	XAHB30C	1.01	1.04	0.95
TMLE060A12MP11	XAHB36D	1.01	1.04	0.96
TMLE080B12MP11	XAF/XAUB30C	1.02	1.03	0.95
TMLE080B12MP11	XAF/XAUB36D	1.01	1.02	0.96
TMLE080B12MP11	XAFC30C	1.02	1.03	0.95
TMLE080B12MP11	XAHB30C	1.01	1.04	0.95
TMLE080B12MP11	XAHB36D	1.00	1.03	0.96
TMLE080C16MP11	XAFC30C	1.03	1.04	0.93
TMLE080C16MP11	XAFC36D	1.02	1.01	0.95
TMLE080C16MP11	XAHC36D	1.03	1.06	0.96
TMLE080C20MP11	XAFC36D	1.04	1.00	0.96
TMLE080C20MP11	XAHC36D	1.04	1.06	0.95
TMLE100B12MP11	XAF/XAUB30C	1.02	1.03	0.95
TMLE100B12MP11	XAF/XAUB36D	1.01	1.02	0.96
TMLE100B12MP11	XAFC30C	1.02	1.03	0.95
TMLE100B12MP11	XAHB30C	1.02	1.04	0.95
TMLE100B12MP11	XAHB36D	1.00	1.03	0.96
TMLE100C16MP11	XAFC30C	1.03	1.03	0.93
TMLE100C16MP11	XAFC36D	1.02	1.03	0.95
TMLE100C16MP11	XAHC36D	1.02	1.05	0.96
TMLE100C20MP11	XAFC36D	1.04	1.00	0.96
TMLE100C20MP11	XAHC36D	1.04	1.06	0.96

FURNACE MULTIPLIERS - 2.5 TON (Continued)

Furnaces	Coil	T.C.	S.C.	KW
TMLE120C16MP11	XAFC30C	1.03	1.03	0.93
TMLE120C16MP11	XAFC36D	1.01	1.02	0.95
TMLE120C16MP11	XAHC36D	1.02	1.05	0.96
TMLV060A12MP11	CF/CM36A	1.00	1.01	0.99
TMLV060A12MP12C	XAF/XAUB30C	1.02	1.04	0.95
TMLV060A12MP12C	XAF/XAUB36D	1.01	1.04	0.96
TMLV060A12MP12C	XAFA30D	1.01	1.02	0.97
TMLV060A12MP12C	XAHB30C	1.02	1.04	0.96
TMLV060A12MP12C	XAHB36D	1.01	1.04	0.97
TMLV080B12MP11	CF/CM/CU36B	1.01	1.01	0.97
TMLV080B12MP11	CF42B	1.03	1.02	0.99
TMLV080C16MP11	CF/CM/CU36C	1.01	1.00	0.95
TMLV080C16MP11	CF/CM/CU42C	1.04	1.04	0.97
TMLV100C16MP11	CF/CM/CU36C	1.01	1.00	0.95
TMLV100C16MP11	CF/CM/CU42C	1.04	1.04	0.97
TMLV100C16MP12C	XAFC30C	1.02	1.04	0.93
TMLV100C16MP12C	XAFC36D	1.02	1.02	0.96
TMLV100C16MP12C	XAHC36D	1.02	1.05	0.96
TMLV120C20MP12C	XAFC30C	1.03	1.03	0.92
TMLV120C20MP12C	XAFC36D	1.04	1.01	0.96
TMLV120C20MP12C	XAHC36D	1.03	1.06	0.96
TMLX060A12MP11	CF/CM36A	1.01	1.01	0.97
TMLX080B12MP11	CF/CM/CU36B	1.01	1.02	0.96
TMLX080B12MP11	CF42B	1.03	1.03	0.97
TMLX080C16MP11	CF/CM/CU36C	1.01	1.02	0.96
TMLX080C16MP11	CF/CM/CU36D	1.02	1.02	0.96
TMLX080C16MP11	CF/CM/CU42C	1.03	1.03	0.96
TMLX080C16MP11	CF/CM/CU42D	1.03	1.03	0.96
TMLX100C16MP11	CF/CM/CU36C	1.01	1.02	0.96
TMLX100C16MP11	CF/CM/CU36D	1.02	1.02	0.96
TMLX100C16MP11	CF/CM/CU42C	1.03	1.03	0.96
TMLX100C16MP11	CF/CM/CU42D	1.03	1.03	0.96
TMLX100C20MP11	CF/CM/CU36C	1.01	1.02	0.96
TMLX100C20MP11	CF/CM/CU36D	1.02	1.02	0.96
TMLX100C20MP11	CF/CM/CU42C	1.03	1.03	0.96
TMLX100C20MP11	CF/CM/CU42D	1.03	1.03	0.96
TMLX120C20MP11	CF/CM/CU36C	1.01	1.02	0.96
TMLX120C20MP11	CF/CM/CU36D	1.02	1.02	0.96
TMLX120C20MP11	CF/CM/CU42C	1.03	1.03	0.96
TMLX120C20MP11	CF/CM/CU42D	1.03	1.03	0.96
TP9C060B12MP11	CF/CM/CU36B	1.01	1.02	0.98
TP9C060B12MP11	CF42B	1.04	1.03	0.97
TP9C060B12MP13C	XAF/XAUB30C	1.01	1.03	0.97
TP9C060B12MP13C	XAF/XAUB36D	1.01	1.02	0.98
TP9C060B12MP13C	XAFC30C	1.01	1.03	0.97
TP9C060B12MP13C	XAHB30C	1.01	1.04	0.96
TP9C060B12MP13C	XAHB36D	1.01	1.04	0.99
TP9C060B12MP13C	XAHC30C	1.01	1.04	0.95
TP9C080B12MP11	CF/CM/CU36B	1.01	1.02	0.98
TP9C080B12MP11	CF42B	1.04	1.03	0.97
TP9C080B12MP13C	XAF/XAUB30C	1.02	1.04	0.94
TP9C080B12MP13C	XAF/XAUB36D	1.02	1.01	0.98
TP9C080B12MP13C	XAFC30C	1.02	1.04	0.94
TP9C080B12MP13C	XAHB30C	1.02	1.04	0.96
TP9C080B12MP13C	XAHB36D	1.00	1.04	0.97

FURNACE MULTIPLIERS - 2.5 TON (Continued)

Furnaces	Coil	T.C.	S.C.	KW
TP9C080B12MP13C	XAHC30C	1.02	1.04	0.95
TP9C080C16MP11	CF/CM/CU36C	1.02	1.03	0.94
TP9C080C16MP11	CF/CM/CU42C	1.04	1.04	0.96
TP9C080C16MP13C	XAFC30C	1.02	1.04	0.93
TP9C080C16MP13C	XAFC36D	1.02	1.02	0.96
TP9C080C16MP13C	XAHC30C	1.02	1.04	0.94
TP9C080C16MP13C	XAHC36D	1.02	1.05	0.97
TP9C100C16MP11	CF/CM/CU36C	1.02	1.03	0.94
TP9C100C16MP11	CF/CM/CU42C	1.04	1.04	0.96
TP9C100C16MP13C	XAFC30C	1.02	1.04	0.93
TP9C100C16MP13C	XAFC36D	1.02	1.01	0.95
TP9C100C16MP13C	XAHC30C	1.02	1.05	0.93
TP9C100C16MP13C	XAHC36D	1.02	1.05	0.96
TP9C100C20MP11	CF/CM/CU36C	1.00	1.02	0.96
TP9C100C20MP13C	XAFC30C	1.03	1.03	0.94
TP9C100C20MP13C	XAFC36D	1.03	1.00	0.97
TP9C100C20MP13C	XAHC30C	1.02	1.04	0.94
TP9C100C20MP13C	XAHC36D	1.03	1.05	0.97
TP9C120D20MP11	CF/CM/CU36D	1.03	1.03	0.94
TP9C120D20MP11	CF/CM/CU42D	1.03	1.03	0.94
TPLC060A12MP11	CF/CM36A	1.00	1.01	0.99
TPLC060A12MP13C	XAF/XAUB30C	1.02	1.04	0.95
TPLC060A12MP13C	XAF/XAUB36D	1.01	1.04	0.96
TPLC060A12MP13C	XAFA30D	1.01	1.02	0.97
TPLC060A12MP13C	XAHB30C	1.02	1.04	0.96
TPLC060A12MP13C	XAHB36D	1.01	1.04	0.97
TPLC080B12MP11	CF/CM/CU36B	1.01	1.01	0.97
TPLC080B12MP11	CF42B	1.03	1.02	0.99
TPLC080B12MP13C	XAF/XAUB30C	1.01	1.03	0.98
TPLC080B12MP13C	XAF/XAUB36D	1.01	1.01	0.98
TPLC080B12MP13C	XAFC30C	1.01	1.03	0.97
TPLC080B12MP13C	XAHB30C	1.01	1.03	0.97
TPLC080B12MP13C	XAHB36D	1.00	1.03	0.99
TPLC080C16MP11	CF/CM/CU36C	1.01	1.00	0.95
TPLC080C16MP11	CF/CM/CU42C	1.04	1.04	0.97
TPLC080C16MP13C	XAFC30C	1.02	1.04	0.93
TPLC080C16MP13C	XAFC36D	1.02	1.02	0.96
TPLC080C16MP13C	XAHC36D	1.02	1.05	0.96
TPLC100C16MP11	CF/CM/CU36C	1.01	1.00	0.95
TPLC100C16MP11	CF/CM/CU42C	1.04	1.04	0.97
TPLC100C16MP13C	XAFC30C	1.02	1.04	0.93
TPLC100C16MP13C	XAFC36D	1.02	1.02	0.96
TPLC100C16MP13C	XAHC36D	1.02	1.05	0.96
TPLC100C20MP13C	XAFC30C	1.03	1.03	0.92
TPLC100C20MP13C	XAFC36D	1.04	1.01	0.96
TPLC100C20MP13C	XAHC36D	1.03	1.06	0.96
TPLC120C20MP13C	XAFC30C	1.03	1.03	0.92
TPLC120C20MP13C	XAFC36D	1.04	1.01	0.96
TPLC120C20MP13C	XAHC36D	1.03	1.06	0.96
YP9C060B12MP11	CF/CM/CU36B	1.01	1.02	0.98
YP9C060B12MP11	CF42B	1.04	1.03	0.97
YP9C060B12MP13C	XAF/XAUB30C	1.01	1.03	0.97
YP9C060B12MP13C	XAF/XAUB36D	1.01	1.02	0.98
YP9C060B12MP13C	XAFC30C	1.01	1.03	0.97
YP9C060B12MP13C	XAHB30C	1.01	1.04	0.96

FURNACE MULTIPLIERS - 2.5 TON (Continued)

Furnaces	Coil	T.C.	S.C.	KW
YP9C060B12MP13C	XAHB36D	1.01	1.04	0.99
YP9C060B12MP13C	XAHC30C	1.01	1.04	0.95
YP9C080B12MP11	CF/CM/CU36B	1.01	1.02	0.98
YP9C080B12MP11	CF42B	1.04	1.03	0.97
YP9C080B12MP13C	XAF/XAUB30C	1.02	1.04	0.94
YP9C080B12MP13C	XAF/XAUB36D	1.02	1.01	0.98
YP9C080B12MP13C	XAFC30C	1.02	1.04	0.94
YP9C080B12MP13C	XAHB30C	1.02	1.04	0.96
YP9C080B12MP13C	XAHB36D	1.00	1.04	0.97
YP9C080B12MP13C	XAHC30C	1.02	1.04	0.95
YP9C080C16MP11	CF/CM/CU36C	1.02	1.03	0.94
YP9C080C16MP11	CF/CM/CU42C	1.04	1.04	0.96
YP9C080C16MP13C	XAFC30C	1.02	1.04	0.93
YP9C080C16MP13C	XAFC36D	1.02	1.02	0.96
YP9C080C16MP13C	XAHC30C	1.02	1.04	0.94
YP9C080C16MP13C	XAHC36D	1.02	1.05	0.97
YP9C100C16MP11	CF/CM/CU36C	1.02	1.03	0.94
YP9C100C16MP11	CF/CM/CU42C	1.04	1.04	0.96
YP9C100C16MP13C	XAFC30C	1.02	1.04	0.93
YP9C100C16MP13C	XAFC36D	1.02	1.01	0.95
YP9C100C16MP13C	XAHC30C	1.02	1.05	0.93
YP9C100C16MP13C	XAHC36D	1.02	1.05	0.96
YP9C100C20MP11	CF/CM/CU36C	1.00	1.02	0.96
YP9C100C20MP13C	XAFC30C	1.03	1.03	0.94
YP9C100C20MP13C	XAFC36D	1.03	1.00	0.97
YP9C100C20MP13C	XAHC30C	1.02	1.04	0.94
YP9C100C20MP13C	XAHC36D	1.03	1.05	0.97
YP9C120D20MP11	CF/CM/CU36D	1.03	1.03	0.94
YP9C120D20MP11	CF/CM/CU42D	1.03	1.03	0.94
YPLC060A12MP11	CF/CM36A	1.00	1.01	0.99
YPLC060A12MP13C	XAF/XAUB30C	1.02	1.04	0.95
YPLC060A12MP13C	XAF/XAUB36D	1.01	1.04	0.96
YPLC060A12MP13C	XAFA30D	1.01	1.02	0.97
YPLC060A12MP13C	XAHB30C	1.02	1.04	0.96
YPLC060A12MP13C	XAHB36D	1.01	1.04	0.97
YPLC080B12MP11	CF/CM/CU36B	1.01	1.01	0.97
YPLC080B12MP11	CF42B	1.03	1.02	0.99
YPLC080B12MP13C	XAF/XAUB30C	1.01	1.03	0.98
YPLC080B12MP13C	XAF/XAUB36D	1.01	1.01	0.98
YPLC080B12MP13C	XAFC30C	1.01	1.03	0.97
YPLC080B12MP13C	XAHB30C	1.01	1.03	0.97
YPLC080B12MP13C	XAHB36D	1.00	1.03	0.99
YPLC080C16MP11	CF/CM/CU36C	1.01	1.00	0.95
YPLC080C16MP11	CF/CM/CU42C	1.04	1.04	0.97
YPLC080C16MP13C	XAFC30C	1.02	1.04	0.93
YPLC080C16MP13C	XAFC36D	1.02	1.02	0.96
YPLC080C16MP13C	XAHC36D	1.02	1.05	0.96
YPLC100C16MP11	CF/CM/CU36C	1.01	1.00	0.95
YPLC100C16MP11	CF/CM/CU42C	1.04	1.04	0.97
YPLC100C16MP13C	XAFC30C	1.02	1.04	0.93
YPLC100C16MP13C	XAFC36D	1.02	1.02	0.96
YPLC100C16MP13C	XAHC36D	1.02	1.05	0.96
YPLC100C20MP13C	XAFC30C	1.03	1.03	0.92
YPLC100C20MP13C	XAFC36D	1.04	1.01	0.96
YPLC100C20MP13C	XAHC36D	1.03	1.06	0.96

FURNACE MULTIPLIERS - 2.5 TON (Continued)

Furnaces	Coil	T.C.	S.C.	KW
YPLC120C20MP13C	XAFC30C	1.03	1.03	0.92
YPLC120C20MP13C	XAFC36D	1.04	1.01	0.96
YPLC120C20MP13C	XAHC36D	1.03	1.06	0.96

HEATING PERFORMANCE DATA										
CONDENSING UNIT MODEL NO		THE30B(3,4)1S								
AIR TEMP. ENTERING OUTDOOR UNIT (°F)	AIR TEMP. ENTERING INDOOR COIL (°F)	ID CFM								
		1000			1200			1400		
		MBH	COP	KW	MBH	COP	KW	MBH	COP	KW
60	60	35.9	4.41	2.38	36.6	4.64	2.31	37.4	4.87	2.25
	70	35.1	3.93	2.61	35.8	4.13	2.54	36.5	4.33	2.47
	80	34.2	3.52	2.85	35.0	3.70	2.77	35.7	3.90	2.68
47	60	30.7	3.94	2.28	31.3	4.09	2.24	31.8	4.26	2.19
	70	30.2	3.53	2.50	30.7	3.67	2.45	31.2	3.81	2.40
	80	29.7	3.18	2.73	30.1	3.31	2.67	30.6	3.43	2.61
40	60	28.3	3.75	2.21	28.7	3.84	2.19	29.2	3.94	2.17
	70	27.8	3.32	2.45	28.2	3.43	2.41	28.7	3.53	2.38
	80	27.3	2.98	2.68	27.8	3.08	2.64	28.2	3.19	2.59
30	60	24.8	3.38	2.15	25.1	3.44	2.14	25.5	3.50	2.13
	70	24.4	3.02	2.37	24.8	3.09	2.35	25.1	3.14	2.34
	80	24.1	2.72	2.59	24.4	2.78	2.57	24.7	2.85	2.54
17	60	20.3	2.87	2.07	20.6	2.89	2.08	20.8	2.91	2.09
	70	19.8	2.55	2.28	20.1	2.58	2.28	20.3	2.61	2.28
	80	19.4	2.29	2.48	19.6	2.32	2.48	19.9	2.36	2.47
10	60	18.4	2.63	2.05	18.7	2.65	2.06	18.87	2.67	2.07
	70	18.2	2.36	2.26	18.4	2.39	2.26	18.7	2.42	2.26
	80	17.9	2.13	2.46	18.2	2.16	2.46	18.4	2.20	2.45

NOTE: ALL CAPACITIES INCLUDE INDOOR FAN HEAT. KW VALUES ARE FOR THE SYSTEM (OUTDOOR + INDOOR).

Yellow shaded cells are AHRI High Heating conditions.

Orange shaded cells are AHRI Low Heating conditions.

Multipliers for determining the performance with other indoor sections.**COIL MULTIPLIERS - 2.5 TON**

Air Handler	Coil	MBH	COP	KW
—	CF/CM/CU36B	0.98	1.02	0.96
—	CF/CM/CU36C	0.98	1.02	0.96
—	CF/CM/CU36D	0.98	1.02	0.96
—	CF/CM/CU42C	0.98	1.02	0.96
—	CF/CM/CU42D	0.98	1.02	0.96
—	CF/CM36A	0.99	1.02	0.97
AE30BX21	—	0.98	1.02	0.96
AE36BX21	—	0.98	1.08	0.91
AE36CX21	—	0.98	1.09	0.90
AE42CX21	—	0.96	1.11	0.87
AP30BX21	—	0.98	1.02	0.96
AP36BX21	—	0.98	1.02	0.95
AVC30BX21	—	0.98	1.02	0.96
AVC36BX21	—	0.98	1.09	0.90
AVC36CX21	—	0.97	1.11	0.88
AVC42CX21	—	0.97	1.11	0.87
ME12BN21	CF/CM36B	0.98	1.07	0.91
ME12BN21	CF42B	0.97	1.08	0.89
ME12BN21	XAF/XAUB30C	0.97	0.98	0.98
ME12BN21	XAF/XAUB36D	0.95	1.02	0.93
ME12BN21	XAHB30C	0.97	1.00	0.97
ME12BN21	XAHB36D	0.94	1.00	0.94
ME12CN21	XAFC30C	0.96	0.99	0.97
ME12CN21	XAFC36D	0.95	1.03	0.92
ME12CN21	XAHC30C	0.97	1.00	0.97
ME12CN21	XAHC36D	0.94	1.01	0.93
ME14DN21	CF/CM36D	0.98	1.10	0.89
ME14DN21	CF/CM42D	0.96	1.10	0.87
ME16CN21	CF/CM36C	0.98	1.05	0.93
ME16CN21	CF/CM42C	0.97	1.06	0.92
ME16CN21	XAFC30C	0.97	0.99	0.98
ME16CN21	XAFC36D	0.95	1.03	0.92
ME16CN21	XAHC30C	0.97	1.00	0.96
ME16CN21	XAHC36D	0.94	1.01	0.93
MVC08BN21	CF42B	0.97	1.07	0.91
MVC12BN21	CF/CM36B	0.98	1.06	0.92
MVC12BN21	CF42B	0.97	1.08	0.90
MVC12BN21	XAF/XAUB30C	0.97	0.98	0.98
MVC12BN21	XAF/XAUB36D	0.95	1.02	0.92
MVC12BN21	XAHB30C	0.97	1.00	0.96
MVC12BN21	XAHB36D	0.93	1.01	0.93
MVC12CN21	XAFC30C	0.96	0.99	0.97
MVC12CN21	XAFC36D	0.95	1.03	0.91
MVC12CN21	XAHC30C	0.96	1.01	0.95
MVC12CN21	XAHC36D	0.93	1.02	0.91
MVC14DN21	CF/CM36D	0.97	1.10	0.88
MVC14DN21	CF/CM42D	0.96	1.10	0.87
MVC16CN21	CF/CM36C	0.98	1.10	0.89
MVC16CN21	CF/CM42C	0.96	1.10	0.87
MVC16CN21	XAFC30C	0.96	0.99	0.97
MVC16CN21	XAFC36D	0.94	1.04	0.91
MVC16CN21	XAHC30C	0.96	1.02	0.94
MVC16CN21	XAHC36D	0.94	1.02	0.92

FURNACE MULTIPLIERS - 2.5 TON

Furnaces	Coil	MBH	COP	KW
TL8E060A12UH11	XAF/XAUB30C	0.97	0.96	1.01
TL8E060A12UH11	XAF/XAUB36D	0.96	1.00	0.96
TL8E060A12UH11	XAFA30D	0.96	1.00	0.96
TL8E060A12UH11	XAHB30C	0.98	0.98	0.99
TL8E060A12UH11	XAHB36D	0.94	0.98	0.96
TL8E080C16UH11	XAFC30C	0.96	0.98	0.98
TL8E080C16UH11	XAFC36D	0.95	1.02	0.94
TL8E080C16UH11	XAHC30C	0.97	0.99	0.98
TL8E080C16UH11	XAHC36D	0.94	1.00	0.94
TL8E100C20UH11	XAFC30C	0.96	0.98	0.98
TL8E100C20UH11	XAFC36D	0.95	1.02	0.93
TL8E100C20UH11	XAHC30C	0.97	1.00	0.97
TL8E100C20UH11	XAHC36D	0.93	1.01	0.93
TL9E060B12UH11	XAF/XAUB30C	0.98	0.95	1.03
TL9E060B12UH11	XAF/XAUB36D	0.96	1.00	0.96
TL9E060B12UH11	XAFC30C	0.98	0.95	1.03
TL9E060B12UH11	XAHB30C	0.98	0.97	1.01
TL9E060B12UH11	XAHB36D	0.94	0.98	0.96
TL9E060B12UH11	XAHC30C	0.98	0.98	1.00
TL9E080C16UH11	XAFC30C	0.97	0.97	1.00
TL9E080C16UH11	XAFC36D	0.96	1.01	0.94
TL9E080C16UH11	XAHC30C	0.97	0.99	0.99
TL9E080C16UH11	XAHC36D	0.94	1.00	0.95
TL9E100C20UH11	XAFC30C	0.96	0.98	0.98
TL9E100C20UH11	XAFC36D	0.95	1.02	0.93
TL9E100C20UH11	XAHC30C	0.97	1.00	0.97
TL9E100C20UH11	XAHC36D	0.94	1.01	0.93
TM8E040A12MP11	XAF/XAUB30C	0.97	0.96	1.00
TM8E040A12MP11	XAF/XAUB36D	0.96	1.01	0.95
TM8E040A12MP11	XAFA30D	0.96	1.00	0.96
TM8E040A12MP11	XAHB30C	0.98	0.99	0.99
TM8E040A12MP11	XAHB36D	0.94	0.99	0.95
TM8E060A12MP11	XAF/XAUB30C	0.97	0.96	1.00
TM8E060A12MP11	XAF/XAUB36D	0.96	1.01	0.95
TM8E060A12MP11	XAFA30D	0.96	0.99	0.97
TM8E060A12MP11	XAHB30C	0.98	0.98	1.00
TM8E060A12MP11	XAHB36D	0.94	0.99	0.95
TM8E080B12MP11	XAF/XAUB30C	0.97	0.96	1.00
TM8E080B12MP11	XAF/XAUB36D	0.96	1.01	0.95
TM8E080B12MP11	XAFC30C	0.97	0.96	1.00
TM8E080B12MP11	XAHB30C	0.98	0.98	1.00
TM8E080B12MP11	XAHB36D	0.94	0.99	0.95
TM8E080C16MP11	XAFC30C	0.97	0.98	0.99
TM8E080C16MP11	XAFC36D	0.95	1.01	0.94
TM8E080C16MP11	XAHC36D	0.94	1.00	0.94
TM8E080C20MP11	XAFC36D	0.95	1.02	0.93
TM8E080C20MP11	XAHC36D	0.94	1.01	0.93
TM8E100B12MP11	XAF/XAUB30C	0.97	0.96	1.01
TM8E100B12MP11	XAF/XAUB36D	0.96	1.01	0.95
TM8E100B12MP11	XAFC30C	0.97	0.97	1.00
TM8E100B12MP11	XAHB30C	0.98	0.98	1.00
TM8E100B12MP11	XAHB36D	0.94	0.99	0.95
TM8E100C16MP11	XAFC30C	0.96	0.98	0.98

FURNACE MULTIPLIERS - 2.5 TON (Continued)

Furnaces	Coil	MBH	COP	KW
TM8E100C16MP11	XAFC36D	0.96	1.01	0.94
TM8E100C16MP11	XAHC36D	0.94	1.00	0.94
TM8E100C20MP11	XAFC36D	0.95	1.02	0.93
TM8E100C20MP11	XAHC36D	0.94	1.01	0.93
TM8E120C16MP11	XAFC30C	0.96	0.98	0.98
TM8E120C16MP11	XAFC36D	0.95	1.02	0.94
TM8E120C16MP11	XAHC36D	0.94	1.00	0.94
TM8V060A12MP11	CF/CM36A	0.98	1.04	0.94
TM8V060A12MP12C	XAF/XAUB30C	0.97	0.96	1.01
TM8V060A12MP12C	XAF/XAUB36D	0.95	1.01	0.94
TM8V060A12MP12C	XAFA30D	0.96	1.00	0.95
TM8V060A12MP12C	XAHB30C	0.97	0.98	0.99
TM8V060A12MP12C	XAHB36D	0.94	0.99	0.95
TM8V080B12MP11	CF/CM/CU36B	0.98	1.05	0.93
TM8V080B12MP11	CF42B	0.98	1.05	0.93
TM8V080B12MP12C	XAF/XAUB30C	0.98	0.95	1.03
TM8V080B12MP12C	XAF/XAUB36D	0.96	1.00	0.96
TM8V080B12MP12C	XAFC30C	0.98	0.95	1.03
TM8V080B12MP12C	XAHB30C	0.98	0.97	1.01
TM8V080B12MP12C	XAHB36D	0.95	0.98	0.97
TM8V080C16MP11	CF/CM/CU36C	0.98	1.07	0.91
TM8V080C16MP11	CF/CM/CU42C	0.96	1.08	0.89
TM8V080C16MP12C	XAFC30C	0.97	0.97	1.00
TM8V080C16MP12C	XAFC36D	0.95	1.02	0.93
TM8V080C16MP12C	XAHC36D	0.94	1.00	0.94
TM8V100C16MP11	CF/CM/CU36C	0.98	1.07	0.91
TM8V100C16MP11	CF/CM/CU42C	0.96	1.08	0.89
TM8V100C16MP12C	XAFC30C	0.97	0.97	1.00
TM8V100C16MP12C	XAFC36D	0.95	1.02	0.93
TM8V100C16MP12C	XAHC36D	0.94	1.00	0.94
TM8V100C20MP12C	XAFC30C	0.96	0.99	0.97
TM8V100C20MP12C	XAFC36D	0.95	1.02	0.93
TM8V100C20MP12C	XAHC36D	0.94	1.01	0.93
TM8V120C20MP12C	XAFC30C	0.96	0.99	0.97
TM8V120C20MP12C	XAFC36D	0.95	1.02	0.93
TM8V120C20MP12C	XAHC36D	0.94	1.01	0.93
TM8X060A12MP11	CF/CM36A	0.98	1.06	0.93
TM8X080B12MP11	CF/CM/CU36B	0.98	1.07	0.92
TM8X080B12MP11	CF42B	0.97	1.07	0.91
TM8X080C16MP11	CF/CM/CU36C	0.98	1.07	0.91
TM8X080C16MP11	CF/CM/CU36D	0.98	1.07	0.91
TM8X080C16MP11	CF/CM/CU42C	0.96	1.08	0.89
TM8X080C16MP11	CF/CM/CU42D	0.96	1.08	0.89
TM8X100C16MP11	CF/CM/CU36C	0.98	1.07	0.91
TM8X100C16MP11	CF/CM/CU36D	0.98	1.07	0.91
TM8X100C16MP11	CF/CM/CU42C	0.96	1.08	0.89
TM8X100C16MP11	CF/CM/CU42D	0.96	1.08	0.89
TM8X100C20MP11	CF/CM/CU36C	0.98	1.07	0.91
TM8X100C20MP11	CF/CM/CU36D	0.98	1.07	0.91
TM8X100C20MP11	CF/CM/CU42C	0.96	1.08	0.89
TM8X100C20MP11	CF/CM/CU42D	0.96	1.08	0.89
TM8X120C20MP11	CF/CM/CU36C	0.98	1.07	0.91
TM8X120C20MP11	CF/CM/CU36D	0.98	1.07	0.91
TM8X120C20MP11	CF/CM/CU42C	0.96	1.08	0.89
TM8X120C20MP11	CF/CM/CU42D	0.96	1.08	0.89

FURNACE MULTIPLIERS - 2.5 TON (Continued)

Furnaces	Coil	MBH	COP	KW
TM8Y060A12MP11	CF/CM36A	0.98	1.06	0.93
TM8Y060A12MP11	XAF/XAUB30C	0.98	0.96	1.02
TM8Y060A12MP11	XAF/XAUB36D	0.96	1.00	0.96
TM8Y060A12MP11	XAFA30D	0.96	1.00	0.96
TM8Y060A12MP11	XAHB30C	0.98	0.98	1.00
TM8Y060A12MP11	XAHB36D	0.94	0.98	0.96
TM8Y080B12MP11	CF/CM/CU36B	0.98	1.07	0.92
TM8Y080B12MP11	CF42B	0.97	1.07	0.91
TM8Y080B12MP11	XAF/XAUB30C	0.97	0.96	1.01
TM8Y080B12MP11	XAF/XAUB36D	0.95	1.01	0.94
TM8Y080B12MP11	XAFC30C	0.97	0.96	1.01
TM8Y080B12MP11	XAHB30C	0.98	0.98	0.99
TM8Y080B12MP11	XAHB36D	0.94	0.99	0.96
TM8Y080C16MP11	CF/CM/CU36C	0.98	1.07	0.91
TM8Y080C16MP11	CF/CM/CU36D	0.98	1.07	0.91
TM8Y080C16MP11	CF/CM/CU42C	0.96	1.08	0.89
TM8Y080C16MP11	CF/CM/CU42D	0.96	1.08	0.89
TM8Y080C16MP11	XAFC30C	0.97	0.98	0.98
TM8Y080C16MP11	XAFC36D	0.95	1.02	0.93
TM8Y080C16MP11	XAHC36D	0.94	1.00	0.94
TM8Y100C16MP11	CF/CM/CU36C	0.98	1.07	0.91
TM8Y100C16MP11	CF/CM/CU36D	0.98	1.07	0.91
TM8Y100C16MP11	CF/CM/CU42C	0.96	1.08	0.89
TM8Y100C16MP11	CF/CM/CU42D	0.96	1.08	0.89
TM8Y100C16MP11	XAFC30C	0.97	0.98	0.98
TM8Y100C16MP11	XAFC36D	0.95	1.02	0.93
TM8Y100C16MP11	XAHC36D	0.94	1.00	0.94
TM8Y100C20MP11	CF/CM/CU36C	0.98	1.07	0.91
TM8Y100C20MP11	CF/CM/CU36D	0.98	1.07	0.91
TM8Y100C20MP11	CF/CM/CU42C	0.96	1.08	0.89
TM8Y100C20MP11	CF/CM/CU42D	0.96	1.08	0.89
TM8Y100C20MP11	XAFC30C	0.96	0.99	0.97
TM8Y100C20MP11	XAFC36D	0.95	1.02	0.93
TM8Y100C20MP11	XAHC36D	0.94	1.01	0.93
TM8Y120C20MP11	CF/CM/CU36C	0.98	1.07	0.91
TM8Y120C20MP11	CF/CM/CU36D	0.98	1.07	0.91
TM8Y120C20MP11	CF/CM/CU42C	0.96	1.08	0.89
TM8Y120C20MP11	CF/CM/CU42D	0.96	1.08	0.89
TM8Y120C20MP11	XAFC30C	0.96	0.99	0.97
TM8Y120C20MP11	XAFC36D	0.95	1.02	0.93
TM8Y120C20MP11	XAHC36D	0.94	1.01	0.93
TM9E026A08MP12	XAF/XAUB36D	0.96	0.98	0.98
TM9E026A08MP12	XAFA30D	0.97	0.97	0.99
TM9E040A10MP11	CF/CM36A	0.99	1.04	0.95
TM9E040A10MP12	XAF/XAUB30C	0.98	0.94	1.05
TM9E040A10MP12	XAF/XAUB36D	0.96	0.99	0.98
TM9E040A10MP12	XAFA30D	0.97	0.98	0.99
TM9E040A10MP12	XAHB30C	0.98	0.97	1.01
TM9E060A10MP12	XAF/XAUB30C	0.98	0.94	1.04
TM9E060A10MP12	XAF/XAUB36D	0.96	1.00	0.96
TM9E060A10MP12	XAFA30D	0.96	0.99	0.97
TM9E060A10MP12	XAHB30C	0.98	0.97	1.01
TM9E060A10MP12	XAHB36D	0.95	0.97	0.97
TM9E060B12MP11	CF/CM/CU36B	0.99	1.07	0.92
TM9E060B12MP11	CF42B	0.97	1.07	0.90

FURNACE MULTIPLIERS - 2.5 TON (Continued)

Furnaces	Coil	MBH	COP	KW
TM9E060B12MP12	XAF/XAUB30C	0.98	0.95	1.03
TM9E060B12MP12	XAF/XAUB36D	0.96	0.99	0.96
TM9E060B12MP12	XAFC30C	0.98	0.95	1.03
TM9E060B12MP12	XAHB30C	0.98	0.97	1.01
TM9E060B12MP12	XAHB36D	0.95	0.98	0.97
TM9E060B12MP12	XAHC30C	0.98	0.98	1.00
TM9E080B12MP11	CF/CM/CU36B	0.99	1.07	0.92
TM9E080B12MP11	CF42B	0.97	1.07	0.90
TM9E080B12MP12	XAF/XAUB30C	0.97	0.96	1.01
TM9E080B12MP12	XAF/XAUB36D	0.96	1.00	0.96
TM9E080B12MP12	XAFC30C	0.97	0.96	1.01
TM9E080B12MP12	XAHB30C	0.98	0.98	1.00
TM9E080B12MP12	XAHB36D	0.95	0.98	0.96
TM9E080B12MP12	XAHC30C	0.98	0.98	1.00
TM9E080C16MP11	CF/CM/CU36C	0.98	1.06	0.92
TM9E080C16MP11	CF/CM/CU36D	0.98	1.06	0.92
TM9E080C16MP11	CF/CM/CU42C	0.97	1.06	0.91
TM9E080C16MP11	CF/CM/CU42D	0.97	1.07	0.91
TM9E080C16MP12	XAFC30C	0.97	0.97	0.99
TM9E080C16MP12	XAFC36D	0.96	1.01	0.94
TM9E080C16MP12	XAHC30C	0.97	0.99	0.99
TM9E080C16MP12	XAHC36D	0.94	1.00	0.95
TM9E080C20MP12	XAFC30C	0.96	0.99	0.97
TM9E080C20MP12	XAFC36D	0.95	1.02	0.93
TM9E080C20MP12	XAHC30C	0.97	1.01	0.96
TM9E080C20MP12	XAHC36D	0.94	1.01	0.93
TM9E100C16MP11	CF/CM/CU36C	0.98	1.06	0.92
TM9E100C16MP11	CF/CM/CU36D	0.98	1.06	0.92
TM9E100C16MP11	CF/CM/CU42C	0.97	1.06	0.91
TM9E100C16MP11	CF/CM/CU42D	0.97	1.07	0.91
TM9E100C16MP12	XAFC30C	0.97	0.97	1.00
TM9E100C16MP12	XAFC36D	0.95	1.01	0.94
TM9E100C16MP12	XAHC30C	0.97	0.99	0.98
TM9E100C16MP12	XAHC36D	0.94	1.00	0.94
TM9E100C20MP11	CF/CM/CU36C	0.98	1.08	0.90
TM9E100C20MP11	CF/CM/CU36D	0.98	1.09	0.90
TM9E100C20MP11	CF/CM/CU42C	0.97	1.10	0.88
TM9E100C20MP11	CF/CM/CU42D	0.97	1.10	0.88
TM9E100C20MP12	XAFC30C	0.96	0.99	0.98
TM9E100C20MP12	XAFC36D	0.95	1.02	0.94
TM9E100C20MP12	XAHC30C	0.97	1.00	0.97
TM9E100C20MP12	XAHC36D	0.94	1.01	0.93
TM9E120D20MP11	CF/CM/CU36D	0.97	1.10	0.89
TM9E120D20MP11	CF/CM/CU42D	0.96	1.11	0.87
TM9V040A10MP12C	XAF/XAUB30C	0.98	0.93	1.05
TM9V040A10MP12C	XAF/XAUB36D	0.97	0.98	0.98
TM9V040A10MP12C	XAFA30D	0.97	0.98	0.98
TM9V040A10MP12C	XAHB30C	0.98	0.97	1.01
TM9V060B12MP11	CF/CM/CU36B	0.98	1.07	0.92
TM9V060B12MP11	CF42B	0.97	1.08	0.90
TM9V060B12MP12C	XAF/XAUB30C	0.98	0.95	1.03
TM9V060B12MP12C	XAF/XAUB36D	0.96	1.00	0.96
TM9V060B12MP12C	XAFC30C	0.98	0.95	1.03
TM9V060B12MP12C	XAHB30C	0.98	0.98	1.00
TM9V060B12MP12C	XAHB36D	0.94	0.98	0.97

FURNACE MULTIPLIERS - 2.5 TON (Continued)

Furnaces	Coil	MBH	COP	KW
TM9V060B12MP12C	XAHC30C	0.98	0.98	0.99
TM9V080B12MP11	CF/CM/CU36B	0.98	1.07	0.92
TM9V080B12MP11	CF42B	0.97	1.08	0.90
TM9V080B12MP12C	XAF/XAUB30C	0.97	0.96	1.01
TM9V080B12MP12C	XAF/XAUB36D	0.95	1.01	0.95
TM9V080B12MP12C	XAFC30C	0.97	0.96	1.01
TM9V080B12MP12C	XAHB30C	0.97	0.98	0.99
TM9V080B12MP12C	XAHB36D	0.94	0.98	0.96
TM9V080B12MP12C	XAHC30C	0.97	0.98	0.99
TM9V080C16MP11	CF/CM/CU36C	0.98	1.08	0.90
TM9V080C16MP11	CF/CM/CU42C	0.97	1.09	0.89
TM9V080C16MP12C	XAFC30C	0.97	0.97	1.00
TM9V080C16MP12C	XAFC36D	0.96	1.01	0.94
TM9V080C16MP12C	XAHC30C	0.98	0.99	0.99
TM9V080C16MP12C	XAHC36D	0.94	0.99	0.95
TM9V100C16MP11	CF/CM/CU36C	0.98	1.08	0.90
TM9V100C16MP11	CF/CM/CU42C	0.97	1.09	0.89
TM9V100C16MP12C	XAFC30C	0.96	0.97	0.99
TM9V100C16MP12C	XAFC36D	0.95	1.02	0.93
TM9V100C16MP12C	XAHC30C	0.97	1.00	0.97
TM9V100C16MP12C	XAHC36D	0.94	1.01	0.93
TM9V100C20MP11	CF/CM/CU36C	0.97	1.06	0.91
TM9V100C20MP12C	XAFC30C	0.96	0.97	0.99
TM9V100C20MP12C	XAFC36D	0.95	1.02	0.93
TM9V100C20MP12C	XAHC30C	0.98	0.99	0.98
TM9V100C20MP12C	XAHC36D	0.94	1.01	0.94
TM9V120D20MP11	CF/CM/CU36D	0.97	1.10	0.88
TM9V120D20MP11	CF/CM/CU42D	0.97	1.08	0.90
TM9Y040A10MP11	CF/CM36A	0.99	1.04	0.95
TM9Y040A10MP11	XAF/XAUB30C	0.99	0.93	1.06
TM9Y060B12MP11	CF/CM/CU36B	0.99	1.07	0.92
TM9Y060B12MP11	CF42B	0.97	1.07	0.90
TM9Y060B12MP11	XAF/XAUB30C	0.98	0.95	1.02
TM9Y060B12MP11	XAF/XAUB36D	0.96	0.99	0.96
TM9Y060B12MP11	XAFC30C	0.98	0.95	1.02
TM9Y060B12MP11	XAHB30C	0.98	0.97	1.00
TM9Y060B12MP11	XAHB36D	0.95	0.97	0.97
TM9Y060B12MP11	XAHC30C	0.98	0.97	1.00
TM9Y080B12MP11	CF/CM/CU36B	0.99	1.07	0.92
TM9Y080B12MP11	CF42B	0.97	1.07	0.90
TM9Y080B12MP11	XAF/XAUB30C	0.97	0.96	1.02
TM9Y080B12MP11	XAF/XAUB36D	0.96	1.00	0.96
TM9Y080B12MP11	XAFC30C	0.97	0.96	1.02
TM9Y080B12MP11	XAHB30C	0.98	0.98	1.00
TM9Y080B12MP11	XAHB36D	0.94	0.98	0.97
TM9Y080B12MP11	XAHC30C	0.97	0.98	0.99
TM9Y080C16MP11	CF/CM/CU36C	0.98	1.06	0.92
TM9Y080C16MP11	CF/CM/CU36D	0.98	1.06	0.92
TM9Y080C16MP11	CF/CM/CU42C	0.97	1.06	0.91
TM9Y080C16MP11	CF/CM/CU42D	0.97	1.07	0.91
TM9Y080C16MP11	XAFC30C	0.97	0.97	1.00
TM9Y080C16MP11	XAFC36D	0.96	1.01	0.95
TM9Y080C16MP11	XAHC30C	0.98	0.99	0.99
TM9Y080C16MP11	XAHC36D	0.94	0.99	0.94
TM9Y100C16MP11	CF/CM/CU36C	0.98	1.06	0.92

FURNACE MULTIPLIERS - 2.5 TON (Continued)

Furnaces	Coil	MBH	COP	KW
TM9Y100C16MP11	CF/CM/CU36D	0.98	1.06	0.92
TM9Y100C16MP11	CF/CM/CU42C	0.97	1.06	0.91
TM9Y100C16MP11	CF/CM/CU42D	0.97	1.07	0.91
TM9Y100C16MP11	XAFC30C	0.97	0.97	1.00
TM9Y100C16MP11	XAFC36D	0.95	1.01	0.94
TM9Y100C16MP11	XAHC30C	0.97	0.99	0.98
TM9Y100C16MP11	XAHC36D	0.94	0.99	0.94
TM9Y100C20MP11	CF/CM/CU36C	0.98	1.08	0.90
TM9Y100C20MP11	CF/CM/CU36D	0.98	1.09	0.90
TM9Y100C20MP11	CF/CM/CU42C	0.97	1.10	0.88
TM9Y100C20MP11	CF/CM/CU42D	0.97	1.10	0.88
TM9Y100C20MP11	XAFC30C	0.97	0.97	0.99
TM9Y100C20MP11	XAFC36D	0.95	1.01	0.94
TM9Y100C20MP11	XAHC30C	0.97	0.99	0.98
TM9Y100C20MP11	XAHC36D	0.94	1.00	0.94
TM9Y120D20MP11	CF/CM/CU36D	0.97	1.10	0.89
TM9Y120D20MP11	CF/CM/CU42D	0.96	1.11	0.87
TMLE040A12MP11	XAF/XAUB30C	0.97	0.96	1.00
TMLE040A12MP11	XAF/XAUB36D	0.96	1.01	0.95
TMLE040A12MP11	XAFA30D	0.96	1.00	0.96
TMLE040A12MP11	XAHB30C	0.98	0.99	0.99
TMLE040A12MP11	XAHB36D	0.94	0.99	0.95
TMLE060A12MP11	XAF/XAUB30C	0.97	0.96	1.00
TMLE060A12MP11	XAF/XAUB36D	0.96	1.01	0.95
TMLE060A12MP11	XAFA30D	0.96	0.99	0.97
TMLE060A12MP11	XAHB30C	0.98	0.98	1.00
TMLE060A12MP11	XAHB36D	0.94	0.99	0.95
TMLE080B12MP11	XAF/XAUB30C	0.97	0.96	1.00
TMLE080B12MP11	XAF/XAUB36D	0.96	1.01	0.95
TMLE080B12MP11	XAFC30C	0.97	0.96	1.00
TMLE080B12MP11	XAHB30C	0.98	0.98	1.00
TMLE080B12MP11	XAHB36D	0.94	0.99	0.95
TMLE080C16MP11	XAFC30C	0.97	0.98	0.99
TMLE080C16MP11	XAFC36D	0.95	1.01	0.94
TMLE080C16MP11	XAHC36D	0.94	1.00	0.94
TMLE080C20MP11	XAFC36D	0.95	1.02	0.93
TMLE080C20MP11	XAHC36D	0.94	1.01	0.93
TMLE100B12MP11	XAF/XAUB30C	0.97	0.96	1.01
TMLE100B12MP11	XAF/XAUB36D	0.96	1.01	0.95
TMLE100B12MP11	XAFC30C	0.97	0.97	1.00
TMLE100B12MP11	XAHB30C	0.98	0.98	1.00
TMLE100B12MP11	XAHB36D	0.94	0.99	0.95
TMLE100C16MP11	XAFC30C	0.96	0.98	0.98
TMLE100C16MP11	XAFC36D	0.96	1.01	0.94
TMLE100C16MP11	XAHC36D	0.94	1.00	0.94
TMLE100C20MP11	XAFC36D	0.95	1.02	0.93
TMLE100C20MP11	XAHC36D	0.94	1.01	0.93
TMLE120C16MP11	XAFC30C	0.96	0.98	0.98
TMLE120C16MP11	XAFC36D	0.95	1.02	0.94
TMLE120C16MP11	XAHC36D	0.94	1.00	0.94
TMLV060A12MP11	CF/CM36A	0.98	1.04	0.94
TMLV060A12MP12C	XAF/XAUB30C	0.97	0.96	1.01
TMLV060A12MP12C	XAF/XAUB36D	0.95	1.01	0.94
TMLV060A12MP12C	XAFA30D	0.96	1.00	0.95
TMLV060A12MP12C	XAHB30C	0.97	0.98	0.99

FURNACE MULTIPLIERS - 2.5 TON (Continued)

Furnaces	Coil	MBH	COP	KW
TMLV060A12MP12C	XAHB36D	0.94	0.99	0.95
TMLV080B12MP11	CF/CM/CU36B	0.98	1.05	0.93
TMLV080B12MP11	CF42B	0.98	1.05	0.93
TMLV080C16MP11	CF/CM/CU36C	0.98	1.07	0.91
TMLV080C16MP11	CF/CM/CU42C	0.96	1.08	0.89
TMLV100C16MP11	CF/CM/CU36C	0.98	1.07	0.91
TMLV100C16MP11	CF/CM/CU42C	0.96	1.08	0.89
TMLV100C16MP12C	XAFC30C	0.97	0.97	1.00
TMLV100C16MP12C	XAFC36D	0.95	1.02	0.93
TMLV100C16MP12C	XAHC36D	0.94	1.00	0.94
TMLV120C20MP12C	XAFC30C	0.96	0.99	0.97
TMLV120C20MP12C	XAFC36D	0.95	1.02	0.93
TMLV120C20MP12C	XAHC36D	0.94	1.01	0.93
TMLX060A12MP11	CF/CM36A	0.98	1.06	0.93
TMLX080B12MP11	CF/CM/CU36B	0.98	1.07	0.92
TMLX080B12MP11	CF42B	0.97	1.07	0.91
TMLX080C16MP11	CF/CM/CU36C	0.98	1.07	0.91
TMLX080C16MP11	CF/CM/CU36D	0.98	1.07	0.91
TMLX080C16MP11	CF/CM/CU42C	0.96	1.08	0.89
TMLX080C16MP11	CF/CM/CU42D	0.96	1.08	0.89
TMLX100C16MP11	CF/CM/CU36C	0.98	1.07	0.91
TMLX100C16MP11	CF/CM/CU36D	0.98	1.07	0.91
TMLX100C16MP11	CF/CM/CU42C	0.96	1.08	0.89
TMLX100C16MP11	CF/CM/CU42D	0.96	1.08	0.89
TMLX100C20MP11	CF/CM/CU36C	0.98	1.07	0.91
TMLX100C20MP11	CF/CM/CU36D	0.98	1.07	0.91
TMLX100C20MP11	CF/CM/CU42C	0.96	1.08	0.89
TMLX100C20MP11	CF/CM/CU42D	0.96	1.08	0.89
TMLX120C20MP11	CF/CM/CU36C	0.98	1.07	0.91
TMLX120C20MP11	CF/CM/CU36D	0.98	1.07	0.91
TMLX120C20MP11	CF/CM/CU42C	0.96	1.08	0.89
TMLX120C20MP11	CF/CM/CU42D	0.96	1.08	0.89
TP9C060B12MP11	CF/CM/CU36B	0.98	1.07	0.92
TP9C060B12MP11	CF42B	0.97	1.08	0.90
TP9C060B12MP13C	XAF/XAUB30C	0.98	0.95	1.03
TP9C060B12MP13C	XAF/XAUB36D	0.96	1.00	0.96
TP9C060B12MP13C	XAFC30C	0.98	0.95	1.03
TP9C060B12MP13C	XAHB30C	0.98	0.98	1.00
TP9C060B12MP13C	XAHB36D	0.94	0.98	0.97
TP9C060B12MP13C	XAHC30C	0.98	0.98	0.99
TP9C080B12MP11	CF/CM/CU36B	0.98	1.07	0.92
TP9C080B12MP11	CF42B	0.97	1.08	0.90
TP9C080B12MP13C	XAF/XAUB30C	0.97	0.96	1.01
TP9C080B12MP13C	XAF/XAUB36D	0.95	1.01	0.95
TP9C080B12MP13C	XAFC30C	0.97	0.96	1.01
TP9C080B12MP13C	XAHB30C	0.97	0.98	0.99
TP9C080B12MP13C	XAHB36D	0.94	0.98	0.96
TP9C080B12MP13C	XAHC30C	0.97	0.98	0.99
TP9C080C16MP11	CF/CM/CU36C	0.98	1.08	0.90
TP9C080C16MP11	CF/CM/CU42C	0.97	1.09	0.89
TP9C080C16MP13C	XAFC30C	0.97	0.97	1.00
TP9C080C16MP13C	XAFC36D	0.96	1.01	0.94
TP9C080C16MP13C	XAHC30C	0.98	0.99	0.99
TP9C080C16MP13C	XAHC36D	0.94	0.99	0.95
TP9C100C16MP11	CF/CM/CU36C	0.98	1.08	0.90

FURNACE MULTIPLIERS - 2.5 TON (Continued)

Furnaces	Coil	MBH	COP	KW
TP9C100C16MP11	CF/CM/CU42C	0.97	1.09	0.89
TP9C100C16MP13C	XAFC30C	0.96	0.97	0.99
TP9C100C16MP13C	XAFC36D	0.95	1.02	0.93
TP9C100C16MP13C	XAHC30C	0.97	1.00	0.97
TP9C100C16MP13C	XAHC36D	0.94	1.01	0.93
TP9C100C20MP11	CF/CM/CU36C	0.97	1.06	0.91
TP9C100C20MP13C	XAFC30C	0.96	0.97	0.99
TP9C100C20MP13C	XAFC36D	0.95	1.02	0.93
TP9C100C20MP13C	XAHC30C	0.98	0.99	0.98
TP9C100C20MP13C	XAHC36D	0.94	1.01	0.94
TP9C120D20MP11	CF/CM/CU36D	0.97	1.10	0.88
TP9C120D20MP11	CF/CM/CU42D	0.97	1.08	0.90
TPLC060A12MP11	CF/CM36A	0.98	1.04	0.94
TPLC060A12MP13C	XAF/XAUB30C	0.97	0.96	1.01
TPLC060A12MP13C	XAF/XAUB36D	0.95	1.01	0.94
TPLC060A12MP13C	XAFA30D	0.96	1.00	0.95
TPLC060A12MP13C	XAHB30C	0.97	0.98	0.99
TPLC060A12MP13C	XAHB36D	0.94	0.99	0.95
TPLC080B12MP11	CF/CM/CU36B	0.98	1.05	0.93
TPLC080B12MP11	CF42B	0.98	1.05	0.93
TPLC080B12MP13C	XAF/XAUB30C	0.98	0.95	1.03
TPLC080B12MP13C	XAF/XAUB36D	0.96	1.00	0.96
TPLC080B12MP13C	XAFC30C	0.98	0.95	1.03
TPLC080B12MP13C	XAHB30C	0.98	0.97	1.01
TPLC080B12MP13C	XAHB36D	0.95	0.98	0.97
TPLC080C16MP11	CF/CM/CU36C	0.98	1.07	0.91
TPLC080C16MP11	CF/CM/CU42C	0.96	1.08	0.89
TPLC080C16MP13C	XAFC30C	0.97	0.97	1.00
TPLC080C16MP13C	XAFC36D	0.95	1.02	0.93
TPLC080C16MP13C	XAHC36D	0.94	1.00	0.94
TPLC100C16MP11	CF/CM/CU36C	0.98	1.07	0.91
TPLC100C16MP11	CF/CM/CU42C	0.96	1.08	0.89
TPLC100C16MP13C	XAFC30C	0.97	0.97	1.00
TPLC100C16MP13C	XAFC36D	0.95	1.02	0.93
TPLC100C16MP13C	XAHC36D	0.94	1.00	0.94
TPLC100C20MP13C	XAFC30C	0.96	0.99	0.97
TPLC100C20MP13C	XAFC36D	0.95	1.02	0.93
TPLC100C20MP13C	XAHC36D	0.94	1.01	0.93
TPLC120C20MP13C	XAFC30C	0.96	0.99	0.97
TPLC120C20MP13C	XAFC36D	0.95	1.02	0.93
TPLC120C20MP13C	XAHC36D	0.94	1.01	0.93
YP9C060B12MP11	CF/CM/CU36B	0.98	1.07	0.92
YP9C060B12MP11	CF42B	0.97	1.08	0.90
YP9C060B12MP13C	XAF/XAUB30C	0.98	0.95	1.03
YP9C060B12MP13C	XAF/XAUB36D	0.96	1.00	0.96
YP9C060B12MP13C	XAFC30C	0.98	0.95	1.03
YP9C060B12MP13C	XAHB30C	0.98	0.98	1.00
YP9C060B12MP13C	XAHB36D	0.94	0.98	0.97
YP9C060B12MP13C	XAHC30C	0.98	0.98	0.99
YP9C080B12MP11	CF/CM/CU36B	0.98	1.07	0.92
YP9C080B12MP11	CF42B	0.97	1.08	0.90
YP9C080B12MP13C	XAF/XAUB30C	0.97	0.96	1.01
YP9C080B12MP13C	XAF/XAUB36D	0.95	1.01	0.95
YP9C080B12MP13C	XAFC30C	0.97	0.96	1.01
YP9C080B12MP13C	XAHB30C	0.97	0.98	0.99

FURNACE MULTIPLIERS - 2.5 TON (Continued)

Furnaces	Coil	MBH	COP	KW
YP9C080B12MP13C	XAHB36D	0.94	0.98	0.96
YP9C080B12MP13C	XAHC30C	0.97	0.98	0.99
YP9C080C16MP11	CF/CM/CU36C	0.98	1.08	0.90
YP9C080C16MP11	CF/CM/CU42C	0.97	1.09	0.89
YP9C080C16MP13C	XAFC30C	0.97	0.97	1.00
YP9C080C16MP13C	XAFC36D	0.96	1.01	0.94
YP9C080C16MP13C	XAHC30C	0.98	0.99	0.99
YP9C080C16MP13C	XAHC36D	0.94	0.99	0.95
YP9C100C16MP11	CF/CM/CU36C	0.98	1.08	0.90
YP9C100C16MP11	CF/CM/CU42C	0.97	1.09	0.89
YP9C100C16MP13C	XAFC30C	0.96	0.97	0.99
YP9C100C16MP13C	XAFC36D	0.95	1.02	0.93
YP9C100C16MP13C	XAHC30C	0.97	1.00	0.97
YP9C100C16MP13C	XAHC36D	0.94	1.01	0.93
YP9C100C20MP11	CF/CM/CU36C	0.97	1.06	0.91
YP9C100C20MP13C	XAFC30C	0.96	0.97	0.99
YP9C100C20MP13C	XAFC36D	0.95	1.02	0.93
YP9C100C20MP13C	XAHC30C	0.98	0.99	0.98
YP9C100C20MP13C	XAHC36D	0.94	1.01	0.94
YP9C120D20MP11	CF/CM/CU36D	0.97	1.10	0.88
YP9C120D20MP11	CF/CM/CU42D	0.97	1.08	0.90
YPLC060A12MP11	CF/CM36A	0.98	1.04	0.94
YPLC060A12MP13C	XAF/XAUB30C	0.97	0.96	1.01
YPLC060A12MP13C	XAF/XAUB36D	0.95	1.01	0.94
YPLC060A12MP13C	XAFA30D	0.96	1.00	0.95
YPLC060A12MP13C	XAHB30C	0.97	0.98	0.99
YPLC060A12MP13C	XAHB36D	0.94	0.99	0.95
YPLC080B12MP11	CF/CM/CU36B	0.98	1.05	0.93
YPLC080B12MP11	CF42B	0.98	1.05	0.93
YPLC080B12MP13C	XAF/XAUB30C	0.98	0.95	1.03
YPLC080B12MP13C	XAF/XAUB36D	0.96	1.00	0.96
YPLC080B12MP13C	XAFC30C	0.98	0.95	1.03
YPLC080B12MP13C	XAHB30C	0.98	0.97	1.01
YPLC080B12MP13C	XAHB36D	0.95	0.98	0.97
YPLC080C16MP11	CF/CM/CU36C	0.98	1.07	0.91
YPLC080C16MP11	CF/CM/CU42C	0.96	1.08	0.89
YPLC080C16MP12C	CF/CM/CU36C	1.03	1.04	0.94
YPLC080C16MP12C	CF/CM/CU42C	1.04	1.05	0.92
YPLC080C16MP13C	XAFC30C	0.97	0.97	1.00
YPLC080C16MP13C	XAFC36D	0.95	1.02	0.93
YPLC080C16MP13C	XAHC36D	0.94	1.00	0.94
YPLC100C16MP11	CF/CM/CU36C	0.98	1.07	0.91
YPLC100C16MP11	CF/CM/CU42C	0.96	1.08	0.89
YPLC100C16MP12C	CF/CM/CU36C	1.03	1.04	0.94
YPLC100C16MP12C	CF/CM/CU42C	1.04	1.05	0.92
YPLC100C16MP13C	XAFC30C	0.97	0.97	1.00
YPLC100C16MP13C	XAFC36D	0.95	1.02	0.93
YPLC100C16MP13C	XAHC36D	0.94	1.00	0.94
YPLC100C20MP13C	XAFC30C	0.96	0.99	0.97
YPLC100C20MP13C	XAFC36D	0.95	1.02	0.93
YPLC100C20MP13C	XAHC36D	0.94	1.01	0.93
YPLC120C20MP13C	XAFC30C	0.96	0.99	0.97
YPLC120C20MP13C	XAFC36D	0.95	1.02	0.93
YPLC120C20MP13C	XAHC36D	0.94	1.01	0.93

PERFORMANCE DATA - 3 TON

CONDENSER-ONLY DATA (OUTDOOR UNIT)																
MODEL	SATURATED SUCTION AT COMPRESSOR		Outdoor Ambient Temperature													
			65 °F		75 °F		85 °F		95 °F		105 °F		115 °F		125 °F	
	T (°F)	P (PSIG)	MBH	KW	MBH	KW	MBH	KW	MBH	KW	MBH	KW	MBH	KW	MBH	KW
THE36B(3,4)2S	35	107	35.1	2.34	33.2	2.55	31.4	2.79	29.4	3.07	27.3	3.40	25.1	3.78	22.8	4.24
	40	119	38.7	2.34	36.7	2.56	34.6	2.80	32.5	3.07	30.3	3.40	27.9	3.78	25.4	4.22
	45	130	42.4	2.36	40.3	2.56	38.1	2.80	35.7	3.07	33.3	3.40	30.9	3.77	28.2	4.20
	50	143	46.4	2.37	44.0	2.58	41.7	2.81	39.2	3.08	36.5	3.41	33.9	3.78	31.2	4.19
	55	156	50.5	2.39	48.0	2.60	45.4	2.83	42.8	3.09	39.2	3.45	36.2	3.84	34.2	4.19

Notes:

- For Outdoor Unit (Condenser) performance only. Data does not include the effects of air handler power or heat.
- Performance based on 15°F subcooling and 15°F superheat at the Outdoor Unit base valves.
 - Increase capacity by 1% for each 2°F increase in subcooling.
 - Decrease capacity by 1% for each 2°F decrease in subcooling.
- Maximum recommended condensing temperature is 140°F.

COOLING PERFORMANCE DATA																
AIR CONDITIONER MODEL NO.		THE36B(3,4)2S														
AIR TEMP. ENTERING OUTDOOR UNIT (°F)	IDCFM	1000					1200					1400				
	ID DB (°F)	80	80	75	80	80	80	80	75	80	80	80	80	75	80	80
	ID WB (°F)	57	62	62	67	72	57	62	62	67	72	57	62	62	67	72
65	T.C.	36.9	38.0	37.0	40.1	40.6	39.4	39.4	38.4	41.5	41.6	42.0	40.9	39.9	42.9	42.6
	S.C.	32.6	30.8	25.8	25.4	19.1	34.3	33.2	27.8	27.0	20.3	36.0	35.6	29.9	28.7	21.5
	KW	2.21	2.22	2.23	2.25	2.26	2.30	2.31	2.31	2.32	2.33	2.38	2.39	2.39	2.40	2.41
75	T.C.	35.8	36.4	36.0	39.3	39.9	38.5	38.0	37.3	40.9	41.5	41.2	39.6	38.7	42.6	43.2
	S.C.	31.6	30.3	25.5	25.2	19.1	33.4	32.8	27.7	27.3	20.7	35.2	35.4	29.9	29.4	22.2
	KW	2.40	2.41	2.42	2.43	2.45	2.48	2.49	2.50	2.51	2.52	2.57	2.57	2.57	2.59	2.60
85	T.C.	34.7	35.1	34.4	37.8	38.4	37.2	36.7	35.6	39.2	39.3	39.7	38.3	36.8	40.6	40.3
	S.C.	30.5	29.7	24.8	24.6	18.7	32.1	32.2	27.0	26.8	19.9	33.7	34.6	29.1	28.9	21.1
	KW	2.66	2.69	2.68	2.70	2.71	2.74	2.76	2.75	2.78	2.78	2.83	2.83	2.82	2.85	2.85
95	T.C.	33.6	33.7	32.8	36.3	36.9	35.9	35.4	33.8	37.4	37.1	38.2	37.1	34.9	38.6	37.3
	S.C.	29.3	29.1	24.2	24.1	18.2	30.8	31.5	26.2	26.2	19.2	32.3	33.9	28.2	28.4	20.1
	KW	2.93	2.96	2.95	2.97	2.96	3.01	3.03	3.01	3.04	3.03	3.08	3.10	3.07	3.11	3.11
105	T.C.	32.3	32.4	31.2	34.8	34.9	34.6	34.2	32.3	35.9	35.3	37.0	35.9	33.4	37.1	35.7
	S.C.	28.2	28.1	23.4	23.5	17.5	29.6	30.3	25.5	25.6	18.6	31.0	32.6	27.6	27.8	19.7
	KW	3.25	3.27	3.26	3.28	3.27	3.32	3.34	3.33	3.35	3.35	3.39	3.41	3.39	3.42	3.42
115	T.C.	31.0	31.2	29.7	33.2	33.0	33.4	32.9	30.8	34.4	33.5	35.7	34.6	32.0	35.7	34.0
	S.C.	27.0	27.2	22.7	22.9	16.8	28.4	29.2	24.8	25.0	18.1	29.8	31.2	26.9	27.2	19.3
	KW	3.57	3.58	3.58	3.58	3.58	3.64	3.65	3.64	3.66	3.66	3.71	3.72	3.70	3.74	3.73
125	T.C.	29.7	30.0	28.1	31.7	31.0	32.1	31.7	29.3	32.9	31.7	34.4	33.4	30.5	34.2	32.4
	S.C.	25.8	26.2	21.9	22.3	16.2	27.2	28.0	24.1	24.4	17.5	28.5	29.9	26.2	26.6	18.9
	KW	3.90	3.89	3.89	3.88	3.89	3.96	3.96	3.96	3.96	3.97	4.02	4.03	4.02	4.05	4.05

NOTE: ALL CAPACITIES INCLUDE INDOOR FAN HEAT. KW VALUES ARE FOR THE SYSTEM (OUTDOOR + INDOOR).

Green shaded cells are ACCA (TVA) conditions.

Blue shaded cells are AHRJ conditions.

Multipliers for determining the performance with other indoor sections.

NOTE: For dry bulb temperatures different than those listed (between 73-87 °F), sensible capacity increases by 1060 BTUH per 1000 CFM per degree above the listed temperature and decreases by 1060 BTUH per 1000 CFM per degree below the listed temperature.

COIL MULTIPLIERS - 3 TON

Air Handler	Coil	T.C.	S.C.	KW
—	CF/CM/CU48C	1.00	1.10	0.98
—	CF/CM/CU48D	1.00	1.10	0.98
AE42CX21	—	1.00	1.02	0.92
AE48CX21	—	1.00	1.12	0.92
AE48DX21	—	1.00	1.06	0.92
AP37CX21	—	1.04	1.04	1.01
AP48DX21	—	1.00	1.16	1.02
AVC42CX21	—	1.00	1.08	0.92
AVC48CX21	—	1.00	1.13	0.92
AVC48DX21	—	1.00	1.02	0.92
ME12BN21	XAF/XAUB36D	0.97	1.00	0.94
ME12BN21	XAHB36D	0.97	1.01	0.96
ME12CN21	CF/CM48C	1.00	1.02	0.94
ME12CN21	XAF/XAUC48F	0.99	1.04	0.93
ME12CN21	XAFC36D	0.98	1.00	0.93
ME12CN21	XAHC36D	0.97	1.02	0.94
ME12CN21	XAHC48F	0.96	1.00	0.94
ME14DN21	CF/CM48D	1.00	1.02	0.92
ME14DN21	XAFD48F	0.99	1.04	0.92
ME14DN21	XAHD48F	0.97	1.01	0.92
ME16CN21	CF/CM48C	1.00	1.06	0.92
ME16CN21	XAF/XAUC48F	0.98	1.03	0.94
ME16CN21	XAFC36D	0.97	1.00	0.93
ME16CN21	XAHC36D	0.97	1.02	0.94
ME16CN21	XAHC48F	0.97	1.00	0.93
ME20DN21	CF/CM48D	1.00	1.13	0.92
ME20DN21	XAFD48F	0.99	1.04	0.92
ME20DN21	XAHD48F	0.97	1.01	0.92
MVC12BN21	XAF/XAUB36D	0.98	1.01	0.93
MVC12BN21	XAHB36D	0.97	1.01	0.96
MVC12CN21	CF/CM48C	1.00	1.02	0.92
MVC12CN21	XAF/XAUC48F	0.99	1.04	0.92
MVC12CN21	XAFC36D	0.98	1.01	0.92
MVC12CN21	XAHC36D	0.97	1.02	0.94
MVC12CN21	XAHC48F	0.97	1.01	0.93
MVC14DN21	CF/CM48D	1.00	1.02	0.92
MVC14DN21	XAFD48F	0.99	1.04	0.91
MVC14DN21	XAHD48F	0.97	1.01	0.92
MVC16CN21	CF/CM48C	1.00	1.02	0.92
MVC16CN21	XAF/XAUC48F	0.99	1.04	0.92
MVC16CN21	XAFC36D	0.98	1.01	0.91
MVC16CN21	XAHC36D	0.98	1.03	0.93
MVC16CN21	XAHC48F	0.97	1.01	0.92
MVC20DN21	CF/CM48D	1.00	1.09	0.92
MVC20DN21	XAFD48F	0.98	1.04	0.91
MVC20DN21	XAHD48F	0.96	1.00	0.91

FURNACE MULTIPLIERS - 3 TON

Furnaces	Coil	T.C.	S.C.	KW
TL8E060A12UH11	XAF/XAUB36D	0.98	1.02	0.94
TL8E060A12UH11	XAFA30D	0.96	0.99	0.98
TL8E080C16UH11	XAF/XAUC48F	0.99	1.03	0.94

FURNACE MULTIPLIERS - 3 TON (Continued)

Furnaces	Coil	T.C.	S.C.	KW
TL8E080C16UH11	XAFC36D	0.97	0.99	0.94
TL8E080C16UH11	XAFD48F	0.99	1.03	0.94
TL8E080C16UH11	XAHC36D	0.97	1.01	0.96
TL8E080C16UH11	XAHC48F	0.97	1.00	0.95
TL8E080C16UH11	XAHD48F	0.97	1.01	0.94
TL8E100C20UH11	XAF/XAUC48F	0.98	1.03	0.94
TL8E100C20UH11	XAFC36D	0.98	1.01	0.93
TL8E100C20UH11	XAFD48F	0.99	1.04	0.93
TL8E100C20UH11	XAHC36D	0.98	1.02	0.94
TL8E100C20UH11	XAHC48F	0.97	1.00	0.94
TL8E100C20UH11	XAHD48F	0.97	1.00	0.94
TL9E060B12UH11	XAF/XAUB36D	0.97	1.01	0.96
TL9E060B12UH11	XAF/XAUC48F	0.98	1.02	0.97
TL9E060B12UH11	XAFC36D	0.98	1.02	0.96
TL9E080C16UH11	XAF/XAUC48F	0.99	1.03	0.95
TL9E080C16UH11	XAFC36D	0.98	1.02	0.94
TL9E080C16UH11	XAFD48F	0.99	1.03	0.94
TL9E080C16UH11	XAHC36D	0.97	1.01	0.96
TL9E080C16UH11	XAHC48F	0.96	0.99	0.96
TL9E080C16UH11	XAHD48F	0.97	1.00	0.95
TL9E100C20UH11	XAF/XAUC48F	0.99	1.04	0.94
TL9E100C20UH11	XAFC36D	0.98	1.01	0.93
TL9E100C20UH11	XAFD48F	0.98	1.03	0.93
TL9E100C20UH11	XAHC36D	0.97	1.02	0.94
TL9E100C20UH11	XAHC48F	0.96	1.00	0.94
TL9E100C20UH11	XAHD48F	0.97	1.01	0.93
TM8E040A12MP11	XAF/XAUB36D	0.98	1.02	0.94
TM8E040A12MP11	XAFA30D	0.97	1.00	0.97
TM8E060A12MP11	XAF/XAUB36D	0.98	1.02	0.94
TM8E060A12MP11	XAFA30D	0.96	0.99	0.98
TM8E080B12MP11	XAF/XAUB36D	0.98	1.02	0.95
TM8E080B12MP11	XAF/XAUC48F	0.99	1.03	0.95
TM8E080B12MP11	XAFC36D	0.98	1.02	0.94
TM8E080B12MP11	XAHC48F	0.97	1.00	0.95
TM8E080C16MP11	XAF/XAUC48F	0.99	1.04	0.94
TM8E080C16MP11	XAFC36D	0.97	1.00	0.94
TM8E080C16MP11	XAFD48F	0.99	1.04	0.94
TM8E080C16MP11	XAHC36D	0.97	1.01	0.95
TM8E080C16MP11	XAHC48F	0.97	1.00	0.94
TM8E080C16MP11	XAHD48F	0.97	1.00	0.93
TM8E080C20MP11	XAF/XAUC48F	0.98	1.03	0.94
TM8E080C20MP11	XAFC36D	0.98	1.01	0.93
TM8E080C20MP11	XAFD48F	0.98	1.03	0.93
TM8E080C20MP11	XAHC36D	0.98	1.02	0.94
TM8E080C20MP11	XAHC48F	0.97	1.00	0.94
TM8E080C20MP11	XAHD48F	0.97	1.00	0.94
TM8E100B12MP11	XAF/XAUB36D	0.98	1.02	0.95
TM8E100B12MP11	XAF/XAUC48F	0.99	1.03	0.95
TM8E100B12MP11	XAFC36D	0.98	1.02	0.95
TM8E100B12MP11	XAHC36D	0.96	1.00	0.97
TM8E100B12MP11	XAHC48F	0.97	1.00	0.96
TM8E100C16MP11	XAF/XAUC48F	0.99	1.04	0.94
TM8E100C16MP11	XAFC36D	0.97	0.99	0.95

FURNACE MULTIPLIERS - 3 TON (Continued)

Furnaces	Coil	T.C.	S.C.	KW
TM8E100C16MP11	XAFD48F	0.99	1.03	0.94
TM8E100C16MP11	XAHC36D	0.97	1.02	0.96
TM8E100C16MP11	XAHC48F	0.97	1.00	0.95
TM8E100C16MP11	XAHD48F	0.97	1.01	0.94
TM8E100C20MP11	XAF/XAUC48F	0.98	1.03	0.94
TM8E100C20MP11	XAFC36D	0.98	1.01	0.93
TM8E100C20MP11	XAFD48F	0.98	1.03	0.94
TM8E100C20MP11	XAHC36D	0.97	1.01	0.94
TM8E100C20MP11	XAHC48F	0.97	1.00	0.94
TM8E100C20MP11	XAHD48F	0.97	1.00	0.94
TM8E120C16MP11	XAF/XAUC48F	0.99	1.04	0.94
TM8E120C16MP11	XAFC36D	0.97	0.99	0.94
TM8E120C16MP11	XAFD48F	0.99	1.03	0.93
TM8E120C16MP11	XAHC36D	0.97	1.02	0.95
TM8E120C16MP11	XAHC48F	0.97	1.00	0.94
TM8E120C16MP11	XAHD48F	0.96	1.00	0.95
TM8E120C20MP11	XAF/XAUC48F	0.98	1.03	0.94
TM8E120C20MP11	XAFC36D	0.97	1.00	0.93
TM8E120C20MP11	XAFD48F	0.98	1.04	0.93
TM8E120C20MP11	XAHC36D	0.97	1.02	0.94
TM8E120C20MP11	XAHC48F	0.96	1.00	0.94
TM8E120C20MP11	XAHD48F	0.97	1.00	0.94
TM8E130D20MP11	XAFD48F	0.98	1.04	0.93
TM8E130D20MP11	XAHD48F	0.96	1.00	0.94
TM8V060A12MP12C	XAF/XAUB36D	0.97	1.01	0.95
TM8V060A12MP12C	XAFA30D	0.97	1.00	0.97
TM8V080B12MP12C	CF/CM/CU48C	1.00	1.02	0.96
TM8V080B12MP12C	XAF/XAUB36D	0.97	1.01	0.97
TM8V080B12MP12C	XAF/XAUC48F	0.98	1.02	0.97
TM8V080B12MP12C	XAFC36D	0.97	1.01	0.97
TM8V080C16MP12C	CF/CM/CU48C	1.00	1.04	0.92
TM8V080C16MP12C	CF/CM/CU48D	1.00	1.00	0.92
TM8V080C16MP12C	XAF/XAUC48F	0.99	1.03	0.94
TM8V080C16MP12C	XAFC36D	0.97	0.99	0.95
TM8V080C16MP12C	XAFD48F	0.99	1.03	0.94
TM8V080C16MP12C	XAHC36D	0.97	1.02	0.95
TM8V080C16MP12C	XAHC48F	0.97	1.00	0.95
TM8V080C16MP12C	XAHD48F	0.97	1.00	0.95
TM8V100C16MP12C	CF/CM/CU48C	1.00	1.04	0.92
TM8V100C16MP12C	CF/CM/CU48D	1.00	1.00	0.92
TM8V100C16MP12C	XAF/XAUC48F	0.99	1.03	0.94
TM8V100C16MP12C	XAFC36D	0.97	0.99	0.95
TM8V100C16MP12C	XAFD48F	0.99	1.03	0.94
TM8V100C16MP12C	XAHC36D	0.97	1.01	0.96
TM8V100C16MP12C	XAHC48F	0.97	1.00	0.95
TM8V100C16MP12C	XAHD48F	0.97	1.00	0.95
TM8V100C20MP12C	CF/CM/CU48C	1.00	1.08	0.92
TM8V100C20MP12C	CF/CM/CU48D	1.00	1.08	0.92
TM8V100C20MP12C	XAF/XAUC48F	0.98	1.03	0.94
TM8V100C20MP12C	XAFC36D	0.97	1.00	0.93
TM8V100C20MP12C	XAFD48F	0.98	1.03	0.93
TM8V100C20MP12C	XAHC36D	0.97	1.02	0.95
TM8V100C20MP12C	XAHC48F	0.97	1.00	0.95
TM8V100C20MP12C	XAHD48F	0.97	1.00	0.93
TM8V120C20MP12C	CF/CM/CU48C	1.00	1.08	0.92
TM8V120C20MP12C	CF/CM/CU48D	1.00	1.08	0.92

FURNACE MULTIPLIERS - 3 TON (Continued)

Furnaces	Coil	T.C.	S.C.	KW
TM8V120C20MP12C	XAF/XAUC48F	0.98	1.03	0.94
TM8V120C20MP12C	XAFC36D	0.97	1.00	0.93
TM8V120C20MP12C	XAFD48F	0.98	1.03	0.94
TM8V120C20MP12C	XAHC36D	0.97	1.02	0.95
TM8V120C20MP12C	XAHC48F	0.96	1.00	0.95
TM8V120C20MP12C	XAHD48F	0.97	1.00	0.93
TM8X080B12MP11	CF/CM/CU48C	1.00	1.02	0.92
TM8X080C16MP11	CF/CM/CU48C	1.00	1.00	0.92
TM8X080C16MP11	CF/CM/CU48D	1.00	1.01	0.92
TM8X100C16MP11	CF/CM/CU48C	1.00	1.00	0.92
TM8X100C16MP11	CF/CM/CU48D	1.00	1.01	0.92
TM8X100C20MP11	CF/CM/CU48C	1.00	1.02	0.92
TM8X100C20MP11	CF/CM/CU48D	1.00	1.02	0.92
TM8X120C20MP11	CF/CM/CU48C	1.00	1.02	0.92
TM8X120C20MP11	CF/CM/CU48D	1.00	1.02	0.92
TM8Y060A12MP11	XAF/XAUB36D	0.97	1.00	0.96
TM8Y080B12MP11	CF/CM/CU48C	1.00	1.02	0.92
TM8Y080B12MP11	XAF/XAUB36D	0.97	1.00	0.96
TM8Y080B12MP11	XAF/XAUC48F	0.98	1.02	0.96
TM8Y080B12MP11	XAFC36D	0.97	1.00	0.96
TM8Y080B12MP11	XAHC48F	0.96	0.99	0.97
TM8Y080C16MP11	CF/CM/CU48C	1.00	1.00	0.92
TM8Y080C16MP11	CF/CM/CU48D	1.00	1.01	0.92
TM8Y080C16MP11	XAF/XAUC48F	0.98	1.03	0.94
TM8Y080C16MP11	XAFC36D	0.98	1.01	0.93
TM8Y080C16MP11	XAFD48F	0.98	1.03	0.94
TM8Y080C16MP11	XAHC36D	0.96	1.00	0.96
TM8Y080C16MP11	XAHC48F	0.97	1.00	0.94
TM8Y080C16MP11	XAHD48F	0.97	1.00	0.94
TM8Y100C16MP11	CF/CM/CU48C	1.00	1.00	0.92
TM8Y100C16MP11	CF/CM/CU48D	1.00	1.01	0.92
TM8Y100C16MP11	XAF/XAUC48F	0.98	1.03	0.94
TM8Y100C16MP11	XAFC36D	0.98	1.01	0.93
TM8Y100C16MP11	XAFD48F	0.98	1.03	0.94
TM8Y100C16MP11	XAHC36D	0.97	1.02	0.94
TM8Y100C16MP11	XAHC48F	0.97	1.00	0.94
TM8Y100C16MP11	XAHD48F	0.97	1.00	0.94
TM8Y100C20MP11	CF/CM/CU48C	1.00	1.02	0.92
TM8Y100C20MP11	CF/CM/CU48D	1.00	1.02	0.92
TM8Y100C20MP11	XAF/XAUC48F	0.98	1.03	0.93
TM8Y100C20MP11	XAFC36D	0.98	1.01	0.92
TM8Y100C20MP11	XAFD48F	0.99	1.04	0.94
TM8Y100C20MP11	XAHC36D	0.97	1.02	0.94
TM8Y100C20MP11	XAHC48F	0.96	1.00	0.94
TM8Y100C20MP11	XAHD48F	0.97	1.00	0.93
TM8Y120C20MP11	CF/CM/CU48C	1.00	1.02	0.92
TM8Y120C20MP11	CF/CM/CU48D	1.00	1.02	0.92
TM8Y120C20MP11	XAF/XAUC48F	0.98	1.03	0.93
TM8Y120C20MP11	XAFC36D	0.98	1.01	0.92
TM8Y120C20MP11	XAFD48F	0.99	1.04	0.94
TM8Y120C20MP11	XAHC36D	0.97	1.02	0.94
TM8Y120C20MP11	XAHC48F	0.96	1.00	0.94
TM8Y120C20MP11	XAHD48F	0.97	1.00	0.93
TM9E060A10MP12	XAF/XAUB36D	0.97	1.01	0.96
TM9E060B12MP11	CF/CM/CU48C	1.00	1.08	0.98
TM9E060B12MP12	XAF/XAUB36D	0.97	1.01	0.97

FURNACE MULTIPLIERS - 3 TON (Continued)

Furnaces	Coil	T.C.	S.C.	KW
TM9E060B12MP12	XAF/XAUC48F	0.98	1.02	0.98
TM9E060B12MP12	XAFC36D	0.97	1.01	0.97
TM9E080B12MP11	CF/CM/CU48C	1.00	1.02	0.94
TM9E080B12MP12	XAF/XAUB36D	0.98	1.02	0.95
TM9E080B12MP12	XAF/XAUC48F	0.98	1.02	0.96
TM9E080B12MP12	XAFC36D	0.98	1.02	0.95
TM9E080B12MP12	XAHC48F	0.97	0.99	0.96
TM9E080C16MP11	CF/CM/CU48C	1.00	1.08	0.94
TM9E080C16MP11	CF/CM/CU48D	1.00	1.08	0.94
TM9E080C16MP12	XAF/XAUC48F	0.99	1.03	0.95
TM9E080C16MP12	XAFC36D	0.98	1.02	0.94
TM9E080C16MP12	XAFD48F	0.99	1.03	0.94
TM9E080C16MP12	XAHC36D	0.97	1.01	0.96
TM9E080C16MP12	XAHC48F	0.97	1.00	0.95
TM9E080C16MP12	XAHD48F	0.97	1.00	0.95
TM9E080C20MP12	XAF/XAUC48F	0.98	1.03	0.93
TM9E080C20MP12	XAFC36D	0.98	1.01	0.93
TM9E080C20MP12	XAFD48F	0.98	1.03	0.93
TM9E080C20MP12	XAHC36D	0.97	1.02	0.94
TM9E080C20MP12	XAHC48F	0.96	1.00	0.94
TM9E080C20MP12	XAHD48F	0.97	1.00	0.94
TM9E100C16MP11	CF/CM/CU48C	1.00	1.02	0.92
TM9E100C16MP11	CF/CM/CU48D	1.00	1.02	0.92
TM9E100C16MP12	XAF/XAUC48F	0.99	1.03	0.94
TM9E100C16MP12	XAFC36D	0.97	0.99	0.95
TM9E100C16MP12	XAFD48F	0.99	1.03	0.94
TM9E100C16MP12	XAHC36D	0.97	1.01	0.96
TM9E100C16MP12	XAHC48F	0.97	1.00	0.95
TM9E100C16MP12	XAHD48F	0.97	1.00	0.94
TM9E100C20MP11	CF/CM/CU48C	1.00	1.09	0.92
TM9E100C20MP11	CF/CM/CU48D	1.00	1.10	0.92
TM9E100C20MP12	XAF/XAUC48F	0.99	1.04	0.94
TM9E100C20MP12	XAFC36D	0.98	1.01	0.93
TM9E100C20MP12	XAFD48F	0.98	1.03	0.93
TM9E100C20MP12	XAHC36D	0.97	1.02	0.94
TM9E100C20MP12	XAHC48F	0.97	1.00	0.94
TM9E100C20MP12	XAHD48F	0.97	1.00	0.93
TM9E120D20MP11	CF/CM/CU48D	1.00	1.00	0.92
TM9E120D20MP12	XAFD48F	0.98	1.03	0.94
TM9E120D20MP12	XAHD48F	0.97	1.00	0.94
TM9V060B12MP12C	CF/CM/CU48C	1.00	1.02	0.96
TM9V060B12MP12C	XAF/XAUB36D	0.97	1.01	0.97
TM9V060B12MP12C	XAF/XAUC48F	0.98	1.02	0.97
TM9V060B12MP12C	XAFC36D	0.97	1.01	0.96
TM9V080B12MP12C	CF/CM/CU48C	1.00	1.04	0.94
TM9V080B12MP12C	XAF/XAUB36D	0.97	1.00	0.96
TM9V080B12MP12C	XAF/XAUC48F	0.98	1.02	0.96
TM9V080B12MP12C	XAFC36D	0.97	1.00	0.95
TM9V080B12MP12C	XAHC48F	0.96	0.99	0.96
TM9V080C16MP12C	CF/CM/CU48C	1.00	1.03	0.92
TM9V080C16MP12C	CF/CM/CU48D	1.00	1.00	0.92
TM9V080C16MP12C	XAF/XAUC48F	0.98	1.03	0.96
TM9V080C16MP12C	XAFC36D	0.97	1.00	0.95
TM9V080C16MP12C	XAFD48F	0.98	1.03	0.96
TM9V080C16MP12C	XAHC36D	0.96	1.00	0.97
TM9V080C16MP12C	XAHC48F	0.96	0.99	0.96

FURNACE MULTIPLIERS - 3 TON (Continued)

Furnaces	Coil	T.C.	S.C.	KW
TM9V080C16MP12C	XAHD48F	0.96	0.99	0.96
TM9V100C16MP12C	CF/CM/CU48C	1.00	1.04	0.92
TM9V100C16MP12C	CF/CM/CU48D	1.00	1.01	0.92
TM9V100C16MP12C	XAF/XAUC48F	0.99	1.03	0.94
TM9V100C16MP12C	XAFC36D	0.98	1.01	0.93
TM9V100C16MP12C	XAFD48F	0.99	1.04	0.94
TM9V100C16MP12C	XAHC36D	0.97	1.01	0.94
TM9V100C16MP12C	XAHC48F	0.97	1.01	0.95
TM9V100C16MP12C	XAHD48F	0.96	1.00	0.95
TM9V100C20MP12C	CF/CM/CU48C	1.00	1.06	0.92
TM9V100C20MP12C	CF/CM/CU48D	1.00	1.06	0.92
TM9V100C20MP12C	XAF/XAUC48F	0.99	1.03	0.95
TM9V100C20MP12C	XAFC36D	0.97	0.99	0.94
TM9V100C20MP12C	XAFD48F	0.99	1.03	0.95
TM9V100C20MP12C	XAHC36D	0.97	1.01	0.96
TM9V100C20MP12C	XAHC48F	0.96	0.99	0.96
TM9V100C20MP12C	XAHD48F	0.97	1.00	0.94
TM9V120D20MP12C	CF/CM/CU48D	1.00	1.04	0.92
TM9V120D20MP12C	XAFD48F	0.98	1.03	0.93
TM9V120D20MP12C	XAHD48F	0.97	1.00	0.94
TM9Y060B12MP11	CF/CM/CU48C	1.00	1.08	0.98
TM9Y060B12MP11	XAF/XAUB36D	0.97	0.99	0.97
TM9Y060B12MP11	XAF/XAUC48F	0.98	1.02	0.98
TM9Y060B12MP11	XAFC36D	0.97	0.99	0.97
TM9Y080B12MP11	CF/CM/CU48C	1.00	1.02	0.94
TM9Y080B12MP11	XAF/XAUB36D	0.97	1.00	0.97
TM9Y080B12MP11	XAF/XAUC48F	0.97	1.02	0.97
TM9Y080B12MP11	XAFC36D	0.97	1.00	0.96
TM9Y080C16MP11	CF/CM/CU48C	1.00	1.08	0.94
TM9Y080C16MP11	CF/CM/CU48D	1.00	1.08	0.94
TM9Y080C16MP11	XAF/XAUC48F	0.98	1.03	0.95
TM9Y080C16MP11	XAFC36D	0.98	1.01	0.95
TM9Y080C16MP11	XAFD48F	0.98	1.03	0.95
TM9Y080C16MP11	XAHC36D	0.97	1.01	0.97
TM9Y080C16MP11	XAHC48F	0.97	1.00	0.95
TM9Y080C16MP11	XAHD48F	0.97	1.00	0.95
TM9Y100C16MP11	CF/CM/CU48C	1.00	1.02	0.92
TM9Y100C16MP11	CF/CM/CU48D	1.00	1.02	0.92
TM9Y100C16MP11	XAF/XAUC48F	0.98	1.03	0.95
TM9Y100C16MP11	XAFC36D	0.98	1.01	0.94
TM9Y100C16MP11	XAFD48F	0.98	1.03	0.95
TM9Y100C16MP11	XAHC36D	0.97	1.01	0.96
TM9Y100C16MP11	XAHC48F	0.97	1.00	0.95
TM9Y100C16MP11	XAHD48F	0.97	1.00	0.95
TM9Y100C20MP11	CF/CM/CU48C	1.00	1.09	0.92
TM9Y100C20MP11	CF/CM/CU48D	1.00	1.10	0.92
TM9Y100C20MP11	XAF/XAUC48F	0.98	1.03	0.95
TM9Y100C20MP11	XAFC36D	0.97	0.99	0.96
TM9Y100C20MP11	XAFD48F	0.98	1.03	0.94
TM9Y100C20MP11	XAHC36D	0.97	1.01	0.97
TM9Y100C20MP11	XAHC48F	0.97	1.00	0.95
TM9Y100C20MP11	XAHD48F	0.97	1.00	0.95
TM9Y120D20MP11	CF/CM/CU48D	1.00	1.00	0.92
TM9Y120D20MP11	XAFD48F	0.98	1.03	0.94
TM9Y120D20MP11	XAHD48F	0.97	1.00	0.94
TMLE040A12MP11	XAF/XAUB36D	0.98	1.02	0.94

FURNACE MULTIPLIERS - 3 TON (Continued)

Furnaces	Coil	T.C.	S.C.	KW
TMLE040A12MP11	XAFA30D	0.97	1.00	0.97
TMLE060A12MP11	XAF/XAUB36D	0.98	1.02	0.94
TMLE060A12MP11	XAFA30D	0.96	0.99	0.98
TMLE080B12MP11	XAF/XAUB36D	0.98	1.02	0.95
TMLE080B12MP11	XAF/XAUC48F	0.99	1.03	0.95
TMLE080B12MP11	XAFC36D	0.98	1.02	0.94
TMLE080B12MP11	XAHC48F	0.97	1.00	0.95
TMLE080C16MP11	XAF/XAUC48F	0.99	1.04	0.94
TMLE080C16MP11	XAFC36D	0.97	1.00	0.94
TMLE080C16MP11	XAFD48F	0.99	1.04	0.94
TMLE080C16MP11	XAHC36D	0.97	1.01	0.95
TMLE080C16MP11	XAHC48F	0.97	1.00	0.94
TMLE080C16MP11	XAHD48F	0.97	1.00	0.93
TMLE080C20MP11	XAF/XAUC48F	0.98	1.03	0.94
TMLE080C20MP11	XAFC36D	0.98	1.01	0.93
TMLE080C20MP11	XAFD48F	0.98	1.03	0.93
TMLE080C20MP11	XAHC36D	0.98	1.02	0.94
TMLE080C20MP11	XAHC48F	0.97	1.00	0.94
TMLE080C20MP11	XAHD48F	0.97	1.00	0.94
TMLE100B12MP11	XAF/XAUB36D	0.98	1.02	0.95
TMLE100B12MP11	XAF/XAUC48F	0.99	1.03	0.95
TMLE100B12MP11	XAFC36D	0.98	1.02	0.95
TMLE100B12MP11	XAHC36D	0.96	1.00	0.97
TMLE100B12MP11	XAHC48F	0.97	1.00	0.96
TMLE100C16MP11	XAF/XAUC48F	0.99	1.04	0.94
TMLE100C16MP11	XAFC36D	0.97	0.99	0.95
TMLE100C16MP11	XAFD48F	0.99	1.03	0.94
TMLE100C16MP11	XAHC36D	0.97	1.02	0.96
TMLE100C16MP11	XAHC48F	0.97	1.00	0.95
TMLE100C16MP11	XAHD48F	0.97	1.01	0.94
TMLE100C20MP11	XAF/XAUC48F	0.98	1.03	0.94
TMLE100C20MP11	XAFC36D	0.98	1.01	0.93
TMLE100C20MP11	XAFD48F	0.98	1.03	0.94
TMLE100C20MP11	XAHC36D	0.97	1.01	0.94
TMLE100C20MP11	XAHC48F	0.97	1.00	0.94
TMLE100C20MP11	XAHD48F	0.97	1.00	0.94
TMLE120C16MP11	XAF/XAUC48F	0.99	1.04	0.94
TMLE120C16MP11	XAFC36D	0.97	0.99	0.94
TMLE120C16MP11	XAFD48F	0.99	1.03	0.93
TMLE120C16MP11	XAHC36D	0.97	1.02	0.95
TMLE120C16MP11	XAHC48F	0.97	1.00	0.94
TMLE120C16MP11	XAHD48F	0.96	1.00	0.95
TMLE120C20MP11	XAF/XAUC48F	0.98	1.03	0.94
TMLE120C20MP11	XAFC36D	0.97	1.00	0.93
TMLE120C20MP11	XAFD48F	0.98	1.04	0.93
TMLE120C20MP11	XAHC36D	0.97	1.02	0.94
TMLE120C20MP11	XAHC48F	0.96	1.00	0.94
TMLE120C20MP11	XAHD48F	0.97	1.00	0.94
TMLE130D20MP11	XAFD48F	0.98	1.04	0.93
TMLE130D20MP11	XAHD48F	0.96	1.00	0.94
TMLV060A12MP12C	XAF/XAUB36D	0.97	1.01	0.95
TMLV060A12MP12C	XAFA30D	0.97	1.00	0.97
TMLV080B12MP12C	CF/CM/CU48C	1.00	1.02	0.96
TMLV080C16MP12C	CF/CM/CU48C	1.00	1.04	0.92
TMLV080C16MP12C	CF/CM/CU48D	1.00	1.00	0.92
TMLV100C16MP12C	CF/CM/CU48C	1.00	1.04	0.92

FURNACE MULTIPLIERS - 3 TON (Continued)

Furnaces	Coil	T.C.	S.C.	KW
TMLV100C16MP12C	CF/CM/CU48D	1.00	1.00	0.92
TMLV100C16MP12C	XAF/XAUC48F	0.99	1.03	0.94
TMLV100C16MP12C	XAFC36D	0.97	0.99	0.95
TMLV100C16MP12C	XAFD48F	0.99	1.03	0.94
TMLV100C16MP12C	XAHC36D	0.97	1.01	0.96
TMLV100C16MP12C	XAHC48F	0.97	1.00	0.95
TMLV100C16MP12C	XAHD48F	0.97	1.00	0.95
TMLV100C20MP12C	CF/CM/CU48C	1.00	1.08	0.92
TMLV100C20MP12C	CF/CM/CU48D	1.00	1.08	0.92
TMLV120C20MP12C	CF/CM/CU48C	1.00	1.08	0.92
TMLV120C20MP12C	CF/CM/CU48D	1.00	1.08	0.92
TMLV120C20MP12C	XAF/XAUC48F	0.98	1.03	0.94
TMLV120C20MP12C	XAFC36D	0.97	1.00	0.93
TMLV120C20MP12C	XAFD48F	0.98	1.03	0.94
TMLV120C20MP12C	XAHC36D	0.97	1.02	0.95
TMLV120C20MP12C	XAHC48F	0.96	1.00	0.95
TMLV120C20MP12C	XAHD48F	0.97	1.00	0.93
TMLX080B12MP11	CF/CM/CU48C	1.00	1.02	0.92
TMLX080C16MP11	CF/CM/CU48C	1.00	1.00	0.92
TMLX080C16MP11	CF/CM/CU48D	1.00	1.01	0.92
TMLX100C16MP11	CF/CM/CU48C	1.00	1.00	0.92
TMLX100C16MP11	CF/CM/CU48D	1.00	1.01	0.92
TMLX100C20MP11	CF/CM/CU48C	1.00	1.02	0.92
TMLX100C20MP11	CF/CM/CU48D	1.00	1.02	0.92
TMLX120C20MP11	CF/CM/CU48C	1.00	1.02	0.92
TMLX120C20MP11	CF/CM/CU48D	1.00	1.02	0.92
TP9C060B12MP13C	CF/CM/CU48C	1.00	1.02	0.96
TP9C060B12MP13C	XAF/XAUB36D	0.97	1.01	0.97
TP9C060B12MP13C	XAF/XAUC48F	0.98	1.02	0.97
TP9C060B12MP13C	XAFC36D	0.97	1.01	0.96
TP9C080B12MP13C	CF/CM/CU48C	1.00	1.04	0.94
TP9C080B12MP13C	XAF/XAUB36D	0.97	1.00	0.96
TP9C080B12MP13C	XAF/XAUC48F	0.98	1.02	0.96
TP9C080B12MP13C	XAFC36D	0.97	1.00	0.95
TP9C080B12MP13C	XAHC48F	0.96	0.99	0.96
TP9C080C16MP13C	CF/CM/CU48C	1.00	1.03	0.92
TP9C080C16MP13C	CF/CM/CU48D	1.00	1.00	0.92
TP9C080C16MP13C	XAF/XAUC48F	0.98	1.03	0.96
TP9C080C16MP13C	XAFC36D	0.97	1.00	0.95
TP9C080C16MP13C	XAFD48F	0.98	1.03	0.96
TP9C080C16MP13C	XAHC36D	0.96	1.00	0.97
TP9C080C16MP13C	XAHC48F	0.96	0.99	0.96
TP9C080C16MP13C	XAHD48F	0.96	0.99	0.96
TP9C100C16MP13C	CF/CM/CU48C	1.00	1.04	0.92
TP9C100C16MP13C	CF/CM/CU48D	1.00	1.01	0.92
TP9C100C16MP13C	XAF/XAUC48F	0.99	1.03	0.94
TP9C100C16MP13C	XAFC36D	0.98	1.01	0.93
TP9C100C16MP13C	XAFD48F	0.99	1.04	0.94
TP9C100C16MP13C	XAHC36D	0.97	1.01	0.94
TP9C100C16MP13C	XAHC48F	0.97	1.01	0.95
TP9C100C16MP13C	XAHD48F	0.96	1.00	0.95
TP9C100C20MP13C	CF/CM/CU48C	1.00	1.06	0.92
TP9C100C20MP13C	CF/CM/CU48D	1.00	1.06	0.92
TP9C100C20MP13C	XAF/XAUC48F	0.99	1.03	0.95
TP9C100C20MP13C	XAFC36D	0.97	0.99	0.94
TP9C100C20MP13C	XAFD48F	0.99	1.03	0.95

FURNACE MULTIPLIERS - 3 TON (Continued)

Furnaces	Coil	T.C.	S.C.	KW
TP9C100C20MP13C	XAHC36D	0.97	1.01	0.96
TP9C100C20MP13C	XAHC48F	0.96	0.99	0.96
TP9C100C20MP13C	XAHD48F	0.97	1.00	0.94
TP9C120D20MP13C	CF/CM/CU48D	1.00	1.04	0.92
TP9C120D20MP13C	XAFD48F	0.98	1.03	0.93
TP9C120D20MP13C	XAHD48F	0.97	1.00	0.94
TPLC060A12MP13C	XAF/XAUB36D	0.97	1.01	0.95
TPLC060A12MP13C	XAFA30D	0.97	1.00	0.97
TPLC080B12MP13C	CF/CM/CU48C	1.00	1.02	0.96
TPLC080B12MP13C	XAF/XAUB36D	0.97	1.01	0.97
TPLC080B12MP13C	XAF/XAUC48F	0.98	1.02	0.97
TPLC080B12MP13C	XAFC36D	0.97	1.01	0.97
TPLC080C16MP13C	CF/CM/CU48C	1.00	1.04	0.92
TPLC080C16MP13C	CF/CM/CU48D	1.00	1.00	0.92
TPLC080C16MP13C	XAF/XAUC48F	0.99	1.03	0.94
TPLC080C16MP13C	XAFC36D	0.97	0.99	0.95
TPLC080C16MP13C	XAFD48F	0.99	1.03	0.94
TPLC080C16MP13C	XAHC36D	0.97	1.01	0.96
TPLC080C16MP13C	XAHC48F	0.97	1.00	0.95
TPLC080C16MP13C	XAHD48F	0.97	1.00	0.95
TPLC100C16MP13C	CF/CM/CU48C	1.00	1.04	0.92
TPLC100C16MP13C	CF/CM/CU48D	1.00	1.00	0.92
TPLC100C16MP13C	XAF/XAUC48F	0.99	1.03	0.94
TPLC100C16MP13C	XAFC36D	0.97	0.99	0.95
TPLC100C16MP13C	XAFD48F	0.99	1.03	0.94
TPLC100C16MP13C	XAHC36D	0.97	1.01	0.96
TPLC100C16MP13C	XAHC48F	0.97	1.00	0.95
TPLC100C16MP13C	XAHD48F	0.97	1.00	0.95
TPLC100C16MP13C	CF/CM/CU48C	1.00	1.04	0.92
TPLC100C16MP13C	CF/CM/CU48D	1.00	1.00	0.92
TPLC100C16MP13C	XAF/XAUC48F	0.99	1.03	0.94
TPLC100C16MP13C	XAFC36D	0.97	1.00	0.93
TPLC100C16MP13C	XAFD48F	0.98	1.03	0.94
TPLC100C16MP13C	XAHC36D	0.97	1.02	0.95
TPLC100C16MP13C	XAHC48F	0.96	1.00	0.95
TPLC100C16MP13C	XAHD48F	0.97	1.00	0.93
TPLC120C20MP13C	CF/CM/CU48C	1.00	1.08	0.92
TPLC120C20MP13C	CF/CM/CU48D	1.00	1.08	0.92
TPLC120C20MP13C	XAF/XAUC48F	0.98	1.03	0.94
TPLC120C20MP13C	XAFC36D	0.97	1.00	0.93
TPLC120C20MP13C	XAFD48F	0.98	1.03	0.94
TPLC120C20MP13C	XAHC36D	0.97	1.02	0.95
TPLC120C20MP13C	XAHC48F	0.96	1.00	0.95
TPLC120C20MP13C	XAHD48F	0.97	1.00	0.93
YP9C060B12MP13C	CF/CM/CU48C	1.00	1.02	0.96
YP9C060B12MP13C	XAF/XAUB36D	0.97	1.01	0.97
YP9C060B12MP13C	XAF/XAUC48F	0.98	1.02	0.97
YP9C060B12MP13C	XAFC36D	0.97	1.01	0.96
YP9C080B12MP13C	CF/CM/CU48C	1.00	1.04	0.94
YP9C080B12MP13C	XAF/XAUB36D	0.97	1.00	0.96
YP9C080B12MP13C	XAF/XAUC48F	0.98	1.02	0.96
YP9C080B12MP13C	XAFC36D	0.97	1.00	0.95
YP9C080B12MP13C	XAHC48F	0.96	0.99	0.96
YP9C080C16MP13C	CF/CM/CU48C	1.00	1.03	0.92
YP9C080C16MP13C	CF/CM/CU48D	1.00	1.00	0.92
YP9C080C16MP13C	XAF/XAUC48F	0.98	1.03	0.94

FURNACE MULTIPLIERS - 3 TON (Continued)

Furnaces	Coil	T.C.	S.C.	KW
YP9C080C16MP13C	XAFC36D	0.97	1.00	0.95
YP9C080C16MP13C	XAFD48F	0.98	1.03	0.96
YP9C080C16MP13C	XAHC36D	0.96	1.00	0.97
YP9C080C16MP13C	XAHC48F	0.96	0.99	0.96
YP9C080C16MP13C	XAHD48F	0.96	0.99	0.96
YP9C100C16MP13C	CF/CM/CU48C	1.00	1.04	0.92
YP9C100C16MP13C	CF/CM/CU48D	1.00	1.01	0.92
YP9C100C16MP13C	XAF/XAUC48F	0.99	1.03	0.94
YP9C100C16MP13C	XAFC36D	0.98	1.01	0.93
YP9C100C16MP13C	XAFD48F	0.99	1.04	0.94
YP9C100C16MP13C	XAHC36D	0.97	1.01	0.94
YP9C100C16MP13C	XAHC48F	0.97	1.01	0.95
YP9C100C16MP13C	XAHD48F	0.96	1.00	0.95
YP9C100C20MP13C	CF/CM/CU48C	1.00	1.06	0.92
YP9C100C20MP13C	CF/CM/CU48D	1.00	1.06	0.92
YP9C100C20MP13C	XAF/XAUC48F	0.99	1.03	0.95
YP9C100C20MP13C	XAFC36D	0.97	0.99	0.94
YP9C100C20MP13C	XAFD48F	0.99	1.03	0.95
YP9C100C20MP13C	XAHC36D	0.97	1.01	0.96
YP9C100C20MP13C	XAHC48F	0.96	0.99	0.96
YP9C100C20MP13C	XAHD48F	0.97	1.00	0.94
YP9C120D20MP13C	CF/CM/CU48D	1.00	1.04	0.92
YP9C120D20MP13C	XAFD48F	0.98	1.03	0.93
YP9C120D20MP13C	XAHD48F	0.97	1.00	0.94
YPLC060A12MP13C	XAF/XAUB36D	0.97	1.01	0.95
YPLC060A12MP13C	XAFA30D	0.97	1.00	0.97
YPLC080B12MP13C	CF/CM/CU48C	1.00	1.02	0.96
YPLC080B12MP13C	XAF/XAUB36D	0.97	1.01	0.97
YPLC080B12MP13C	XAF/XAUC48F	0.98	1.02	0.97
YPLC080B12MP13C	XAFC36D	0.97	1.01	0.97
YPLC080C16MP13C	CF/CM/CU48C	1.00	1.04	0.92
YPLC080C16MP13C	CF/CM/CU48D	1.00	1.00	0.92
YPLC080C16MP13C	XAF/XAUC48F	0.99	1.03	0.94
YPLC080C16MP13C	XAFC36D	0.97	0.99	0.95
YPLC080C16MP13C	XAFD48F	0.99	1.03	0.94
YPLC080C16MP13C	XAHC36D	0.97	1.01	0.96
YPLC080C16MP13C	XAHC48F	0.97	1.00	0.95
YPLC080C16MP13C	XAHD48F	0.97	1.00	0.95
YPLC100C16MP13C	CF/CM/CU48C	1.00	1.04	0.92
YPLC100C16MP13C	CF/CM/CU48D	1.00	1.00	0.92
YPLC100C16MP13C	XAF/XAUC48F	0.99	1.03	0.94
YPLC100C16MP13C	XAFC36D	0.97	0.99	0.95
YPLC100C16MP13C	XAFD48F	0.99	1.03	0.94
YPLC100C16MP13C	XAHC36D	0.97	1.01	0.96
YPLC100C16MP13C	XAHC48F	0.97	1.00	0.95
YPLC100C16MP13C	XAHD48F	0.97	1.00	0.95
YPLC100C20MP13C	CF/CM/CU48C	1.00	1.08	0.92
YPLC100C20MP13C	CF/CM/CU48D	1.00	1.08	0.92
YPLC100C20MP13C	XAF/XAUC48F	0.98	1.03	0.94
YPLC100C20MP13C	XAFC36D	0.97	1.00	0.93
YPLC100C20MP13C	XAFD48F	0.98	1.03	0.94
YPLC100C20MP13C	XAHC36D	0.97	1.02	0.95
YPLC100C20MP13C	XAHC48F	0.96	1.00	0.95
YPLC100C20MP13C	XAHD48F	0.97	1.00	0.93
YPLC120C20MP13C	CF/CM/CU48C	1.00	1.08	0.92
YPLC120C20MP13C	CF/CM/CU48D	1.00	1.08	0.92

FURNACE MULTIPLIERS - 3 TON (Continued)

Furnaces	Coil	T.C.	S.C.	KW
YPLC120C20MP13C	XAF/XAUC48F	0.98	1.03	0.94
YPLC120C20MP13C	XAFC36D	0.97	1.00	0.93
YPLC120C20MP13C	XAFD48F	0.98	1.03	0.94
YPLC120C20MP13C	XAHC36D	0.97	1.02	0.95
YPLC120C20MP13C	XAHC48F	0.96	1.00	0.95
YPLC120C20MP13C	XAHD48F	0.97	1.00	0.93

HEATING PERFORMANCE DATA										
CONDENSING UNIT MODEL NO		THE36B(3,4)2S								
AIR TEMP. ENTERING OUTDOOR UNIT (°F)	AIR TEMP. ENTERING INDOOR COIL (°F)	ID CFM								
		1000			1200			1400		
		MBH	COP	KW	MBH	COP	KW	MBH	COP	KW
60	60	40.6	4.12	2.88	41.2	4.26	2.83	41.8	4.40	2.78
	70	39.9	3.70	3.19	40.4	3.84	3.12	41.0	3.98	3.05
	80	39.1	3.27	3.50	39.7	3.42	3.41	40.2	3.56	3.31
47	60	35.3	3.73	2.77	35.9	3.86	2.73	36.5	3.99	2.68
	70	34.8	3.34	3.08	35.3	3.46	3.03	35.8	3.57	2.97
	80	34.3	2.96	3.40	34.7	3.06	3.33	35.0	3.15	3.25
40	60	33.2	3.55	2.74	33.5	3.64	2.70	33.8	3.72	2.66
	70	32.5	3.17	3.04	32.9	3.26	2.99	33.3	3.35	2.94
	80	31.9	2.79	3.34	32.3	2.89	3.28	32.8	2.99	3.22
30	60	28.2	3.11	2.66	28.9	3.20	2.64	29.5	3.30	2.62
	70	27.9	2.80	2.96	28.5	2.89	2.92	29.0	2.97	2.89
	80	27.6	2.49	3.25	28.1	2.57	3.20	28.5	2.65	3.15
17	60	23.1	2.66	2.55	23.2	2.69	2.53	23.4	2.72	2.51
	70	22.5	2.36	2.82	22.7	2.40	2.80	22.9	2.44	2.79
	80	21.8	2.06	3.10	22.1	2.11	3.08	22.4	2.15	3.06
10	60	19.5	2.25	2.54	19.8	2.28	2.55	20.18	2.31	2.55
	70	19.4	2.07	2.76	19.8	2.10	2.77	20.1	2.13	2.78
	80	19.4	1.90	2.99	19.7	1.92	3.00	20.0	1.95	3.01

NOTE: ALL CAPACITIES INCLUDE INDOOR FAN HEAT. KW VALUES ARE FOR THE SYSTEM (OUTDOOR + INDOOR).

Yellow shaded cells are AHRI High Heating conditions.

Orange shaded cells are AHRI Low Heating conditions.

Multipliers for determining the performance with other indoor sections.**COIL MULTIPLIERS - 3 TON**

Air Handler	Coil	MBH	COP	KW
—	CF/CM/CU48C	1.00	1.00	1.00
—	CF/CM/CU48D	1.00	1.00	1.00
AE42CX21	—	0.97	1.03	0.95
AE48CX21	—	0.98	1.07	0.91
AE48DX21	—	0.97	1.06	0.92
AP37CX21	—	1.00	1.00	1.00
AP48DX21	—	1.01	1.01	1.00
AVC42CX21	—	0.98	1.05	0.94
AVC48CX21	—	0.98	1.06	0.92
AVC48DX21	—	0.97	1.03	0.94
ME12BN21	XAF/XAUB36D	1.05	1.04	1.01
ME12BN21	XAHB36D	1.02	0.99	1.03
ME12CN21	CF/CM48C	0.97	1.02	0.95
ME12CN21	XAF/XAUC48F	1.03	1.09	0.94
ME12CN21	XAFC36D	1.05	1.04	1.00
ME12CN21	XAHC36D	1.01	1.01	1.00
ME12CN21	XAHC48F	0.99	1.07	0.93
ME14DN21	CF/CM48D	0.97	1.03	0.94
ME14DN21	XAFD48F	1.03	1.10	0.93
ME14DN21	XAHD48F	0.99	1.08	0.91
ME16CN21	CF/CM48C	0.98	1.05	0.94
ME16CN21	XAF/XAUC48F	1.03	1.09	0.95
ME16CN21	XAFC36D	1.04	1.05	0.99
ME16CN21	XAHC36D	1.02	1.01	1.01
ME16CN21	XAHC48F	0.99	1.07	0.92
ME20DN21	CF/CM48D	0.97	1.08	0.90
ME20DN21	XAFD48F	1.02	1.11	0.92
ME20DN21	XAHD48F	0.98	1.09	0.90
MVC12BN21	XAF/XAUB36D	1.05	1.04	1.01
MVC12BN21	XAHB36D	1.02	0.99	1.02
MVC12CN21	CF/CM48C	0.97	1.03	0.95
MVC12CN21	XAF/XAUC48F	1.03	1.11	0.93
MVC12CN21	XAFC36D	1.04	1.06	0.98
MVC12CN21	XAHC36D	1.01	1.03	0.99
MVC12CN21	XAHC48F	0.99	1.08	0.91
MVC14DN21	CF/CM48D	0.97	1.03	0.94
MVC14DN21	XAFD48F	1.02	1.11	0.92
MVC14DN21	XAHD48F	0.98	1.09	0.90
MVC16CN21	CF/CM48C	0.97	1.03	0.94
MVC16CN21	XAF/XAUC48F	1.02	1.10	0.92
MVC16CN21	XAFC36D	1.04	1.06	0.98
MVC16CN21	XAHC36D	1.01	1.02	0.99
MVC16CN21	XAHC48F	0.99	1.08	0.91
MVC20DN21	CF/CM48D	0.97	1.07	0.91
MVC20DN21	XAFD48F	1.02	1.11	0.91
MVC20DN21	XAHD48F	0.98	1.10	0.90

FURNACE MULTIPLIERS - 3 TON

Furnaces	Coil	MBH	COP	KW
TL8E060A12UH11	XAF/XAUB36D	1.06	1.03	1.03
TL8E060A12UH11	XAFA30D	1.06	1.01	1.05
TL8E080C16UH11	XAF/XAUC48F	1.04	1.09	0.95
TL8E080C16UH11	XAFC36D	1.05	1.03	1.01

FURNACE MULTIPLIERS - 3 TON (Continued)

Furnaces	Coil	MBH	COP	KW
TL8E080C16UH11	XAFD48F	1.03	1.09	0.95
TL8E080C16UH11	XAHC36D	1.01	0.99	1.02
TL8E080C16UH11	XAHC48F	1.00	1.06	0.94
TL8E080C16UH11	XAHD48F	0.99	1.06	0.93
TL8E100C20UH11	XAF/XAUC48F	1.03	1.09	0.94
TL8E100C20UH11	XAFC36D	1.04	1.05	1.00
TL8E100C20UH11	XAFD48F	1.03	1.09	0.94
TL8E100C20UH11	XAHC36D	1.01	1.00	1.01
TL8E100C20UH11	XAHC48F	0.99	1.06	0.93
TL8E100C20UH11	XAHD48F	0.99	1.07	0.92
TL9E060B12UH11	XAF/XAUB36D	1.06	1.02	1.05
TL9E060B12UH11	XAF/XAUC48F	1.04	1.07	0.98
TL9E060B12UH11	XAFC36D	1.06	1.02	1.04
TL9E080C16UH11	XAF/XAUC48F	1.04	1.08	0.96
TL9E080C16UH11	XAFC36D	1.05	1.04	1.02
TL9E080C16UH11	XAFD48F	1.04	1.08	0.96
TL9E080C16UH11	XAHC36D	1.02	0.99	1.03
TL9E080C16UH11	XAHC48F	1.00	1.05	0.95
TL9E080C16UH11	XAHD48F	1.00	1.06	0.94
TL9E100C20UH11	XAF/XAUC48F	1.03	1.09	0.95
TL9E100C20UH11	XAFC36D	1.05	1.05	1.00
TL9E100C20UH11	XAFD48F	1.03	1.09	0.95
TL9E100C20UH11	XAHC36D	1.01	1.00	1.02
TL9E100C20UH11	XAHC48F	0.99	1.06	0.93
TL9E100C20UH11	XAHD48F	0.99	1.07	0.93
TM8E040A12MP11	XAF/XAUB36D	1.06	1.03	1.02
TM8E040A12MP11	XAFA30D	1.06	1.01	1.05
TM8E060A12MP11	XAF/XAUB36D	1.06	1.03	1.03
TM8E060A12MP11	XAFA30D	1.06	1.01	1.05
TM8E080B12MP11	XAF/XAUB36D	1.06	1.03	1.03
TM8E080B12MP11	XAF/XAUC48F	1.04	1.08	0.96
TM8E080B12MP11	XAFC36D	1.06	1.03	1.03
TM8E080B12MP11	XAHC48F	1.00	1.05	0.95
TM8E080C16MP11	XAF/XAUC48F	1.04	1.09	0.95
TM8E080C16MP11	XAFC36D	1.05	1.04	1.01
TM8E080C16MP11	XAFD48F	1.04	1.09	0.95
TM8E080C16MP11	XAHC36D	1.01	1.00	1.02
TM8E080C16MP11	XAHC48F	1.00	1.06	0.94
TM8E080C16MP11	XAHD48F	1.00	1.07	0.93
TM8E080C20MP11	XAF/XAUC48F	1.03	1.09	0.94
TM8E080C20MP11	XAFC36D	1.04	1.05	1.00
TM8E080C20MP11	XAFD48F	1.03	1.09	0.94
TM8E080C20MP11	XAHC36D	1.01	1.00	1.01
TM8E080C20MP11	XAHC48F	0.99	1.06	0.93
TM8E080C20MP11	XAHD48F	0.99	1.07	0.92
TM8E100B12MP11	XAF/XAUB36D	1.05	1.03	1.02
TM8E100B12MP11	XAF/XAUC48F	1.04	1.08	0.97
TM8E100B12MP11	XAFC36D	1.05	1.03	1.02
TM8E100B12MP11	XAHC36D	1.02	0.98	1.04
TM8E100B12MP11	XAHC48F	1.00	1.05	0.95
TM8E100C16MP11	XAF/XAUC48F	1.04	1.09	0.95
TM8E100C16MP11	XAFC36D	1.05	1.03	1.02
TM8E100C16MP11	XAFD48F	1.03	1.09	0.95

FURNACE MULTIPLIERS - 3 TON (Continued)

Furnaces	Coil	MBH	COP	KW
TM8E100C16MP11	XAHC36D	1.02	1.00	1.02
TM8E100C16MP11	XAHC48F	1.00	1.06	0.94
TM8E100C16MP11	XAHD48F	0.99	1.06	0.93
TM8E100C20MP11	XAF/XAUC48F	1.03	1.09	0.94
TM8E100C20MP11	XAFC36D	1.04	1.04	1.00
TM8E100C20MP11	XAFD48F	1.03	1.09	0.94
TM8E100C20MP11	XAHC36D	1.01	1.00	1.01
TM8E100C20MP11	XAHC48F	0.99	1.06	0.93
TM8E100C20MP11	XAHD48F	0.99	1.07	0.92
TM8E120C16MP11	XAF/XAUC48F	1.04	1.09	0.95
TM8E120C16MP11	XAFC36D	1.05	1.03	1.02
TM8E120C16MP11	XAFD48F	1.03	1.09	0.95
TM8E120C16MP11	XAHC36D	1.02	1.00	1.02
TM8E120C16MP11	XAHC48F	1.00	1.06	0.94
TM8E120C16MP11	XAHD48F	1.00	1.06	0.94
TM8E120C20MP11	XAF/XAUC48F	1.03	1.09	0.95
TM8E120C20MP11	XAFC36D	1.05	1.04	1.00
TM8E120C20MP11	XAFD48F	1.03	1.09	0.94
TM8E120C20MP11	XAHC36D	1.01	1.00	1.01
TM8E120C20MP11	XAHC48F	1.00	1.07	0.93
TM8E120C20MP11	XAHD48F	0.99	1.07	0.93
TM8E130D20MP11	XAFD48F	1.03	1.09	0.94
TM8E130D20MP11	XAHD48F	0.99	1.07	0.93
TM8V060A12MP12C	XAF/XAUB36D	1.06	1.03	1.03
TM8V060A12MP12C	XAFA30D	1.06	1.02	1.04
TM8V080B12MP12C	CF/CM/CU48C	0.98	0.99	0.99
TM8V080B12MP12C	XAF/XAUB36D	1.06	1.02	1.05
TM8V080B12MP12C	XAF/XAUC48F	1.05	1.06	0.98
TM8V080B12MP12C	XAFC36D	1.06	1.02	1.04
TM8V080C16MP12C	CF/CM/CU48C	0.98	1.03	0.96
TM8V080C16MP12C	CF/CM/CU48D	0.98	0.99	0.99
TM8V080C16MP12C	XAF/XAUC48F	1.04	1.09	0.95
TM8V080C16MP12C	XAFC36D	1.05	1.03	1.01
TM8V080C16MP12C	XAFD48F	1.04	1.09	0.95
TM8V080C16MP12C	XAHC36D	1.01	1.00	1.02
TM8V080C16MP12C	XAHC48F	1.00	1.06	0.94
TM8V080C16MP12C	XAHD48F	1.00	1.06	0.94
TM8V100C16MP12C	CF/CM/CU48C	0.98	1.03	0.96
TM8V100C16MP12C	CF/CM/CU48D	0.98	0.99	0.99
TM8V100C16MP12C	XAF/XAUC48F	1.04	1.09	0.95
TM8V100C16MP12C	XAFC36D	1.05	1.03	1.01
TM8V100C16MP12C	XAFD48F	1.04	1.09	0.95
TM8V100C16MP12C	XAHC36D	1.01	0.99	1.02
TM8V100C16MP12C	XAHC48F	1.00	1.06	0.94
TM8V100C16MP12C	XAHD48F	1.00	1.06	0.94
TM8V100C20MP12C	CF/CM/CU48C	0.98	1.05	0.94
TM8V100C20MP12C	CF/CM/CU48D	0.98	1.05	0.94
TM8V100C20MP12C	XAF/XAUC48F	1.03	1.09	0.94
TM8V100C20MP12C	XAFC36D	1.05	1.04	1.00
TM8V100C20MP12C	XAFD48F	1.03	1.09	0.94
TM8V100C20MP12C	XAHC36D	1.01	1.01	1.00
TM8V100C20MP12C	XAHC48F	0.99	1.06	0.93
TM8V100C20MP12C	XAHD48F	0.99	1.07	0.92
TM8V120C20MP12C	CF/CM/CU48C	0.98	1.05	0.94
TM8V120C20MP12C	CF/CM/CU48D	0.98	1.05	0.94

FURNACE MULTIPLIERS - 3 TON (Continued)

Furnaces	Coil	MBH	COP	KW
TM8V120C20MP12C	XAF/XAUC48F	1.03	1.09	0.94
TM8V120C20MP12C	XAFC36D	1.05	1.04	1.00
TM8V120C20MP12C	XAFD48F	1.03	1.10	0.94
TM8V120C20MP12C	XAHC36D	1.01	1.01	1.00
TM8V120C20MP12C	XAHC48F	0.99	1.07	0.93
TM8V120C20MP12C	XAHD48F	0.99	1.07	0.92
TM8X080B12MP11	CF/CM/CU48C	0.98	1.01	0.97
TM8X080C16MP11	CF/CM/CU48C	0.98	0.99	0.99
TM8X080C16MP11	CF/CM/CU48D	0.98	1.01	0.97
TM8X100C16MP11	CF/CM/CU48C	0.98	0.99	0.99
TM8X100C16MP11	CF/CM/CU48D	0.98	1.01	0.97
TM8X100C20MP11	CF/CM/CU48C	0.98	1.02	0.96
TM8X100C20MP11	CF/CM/CU48D	0.98	1.02	0.96
TM8X120C20MP11	CF/CM/CU48C	0.98	1.02	0.96
TM8X120C20MP11	CF/CM/CU48D	0.98	1.02	0.96
TM8Y060A12MP11	XAF/XAUB36D	1.06	1.02	1.04
TM8Y080B12MP11	CF/CM/CU48C	0.98	1.01	0.97
TM8Y080B12MP11	XAF/XAUB36D	1.06	1.02	1.04
TM8Y080B12MP11	XAF/XAUC48F	1.04	1.06	0.98
TM8Y080B12MP11	XAFC36D	1.06	1.02	1.03
TM8Y080B12MP11	XAHC48F	1.00	1.04	0.96
TM8Y080C16MP11	CF/CM/CU48C	0.98	0.99	0.99
TM8Y080C16MP11	CF/CM/CU48D	0.98	1.01	0.97
TM8Y080C16MP11	XAF/XAUC48F	1.04	1.09	0.95
TM8Y080C16MP11	XAFC36D	1.05	1.04	1.01
TM8Y080C16MP11	XAFD48F	1.04	1.09	0.95
TM8Y080C16MP11	XAHC36D	1.02	0.99	1.03
TM8Y080C16MP11	XAHC48F	0.99	1.06	0.93
TM8Y080C16MP11	XAHD48F	0.99	1.07	0.93
TM8Y100C16MP11	CF/CM/CU48C	0.98	0.99	0.99
TM8Y100C16MP11	CF/CM/CU48D	0.98	1.01	0.97
TM8Y100C16MP11	XAF/XAUC48F	1.04	1.09	0.95
TM8Y100C16MP11	XAFC36D	1.05	1.04	1.01
TM8Y100C16MP11	XAFD48F	1.04	1.09	0.95
TM8Y100C16MP11	XAHC36D	1.01	1.00	1.01
TM8Y100C16MP11	XAHC48F	0.99	1.06	0.93
TM8Y100C16MP11	XAHD48F	0.99	1.07	0.93
TM8Y100C20MP11	CF/CM/CU48C	0.98	1.02	0.96
TM8Y100C20MP11	CF/CM/CU48D	0.98	1.02	0.96
TM8Y100C20MP11	XAF/XAUC48F	1.03	1.09	0.95
TM8Y100C20MP11	XAFC36D	1.05	1.05	1.00
TM8Y100C20MP11	XAFD48F	1.03	1.09	0.94
TM8Y100C20MP11	XAHC36D	1.01	1.00	1.01
TM8Y100C20MP11	XAHC48F	0.99	1.06	0.93
TM8Y100C20MP11	XAHD48F	0.99	1.07	0.93
TM8Y120C20MP11	CF/CM/CU48C	0.98	1.02	0.96
TM8Y120C20MP11	CF/CM/CU48D	0.98	1.02	0.96
TM8Y120C20MP11	XAF/XAUC48F	1.03	1.09	0.95
TM8Y120C20MP11	XAFC36D	1.05	1.05	1.00
TM8Y120C20MP11	XAFD48F	1.03	1.09	0.94
TM8Y120C20MP11	XAHC36D	1.01	1.00	1.01
TM8Y120C20MP11	XAHC48F	0.99	1.06	0.93
TM8Y120C20MP11	XAHD48F	0.99	1.07	0.93
TM9E060A10MP12	XAF/XAUB36D	1.06	1.01	1.05
TM9E060B12MP11	CF/CM/CU48C	0.99	1.01	0.98

FURNACE MULTIPLIERS - 3 TON (Continued)

Furnaces	Coil	MBH	COP	KW
TM9E060B12MP12	XAF/XAUB36D	1.06	1.01	1.05
TM9E060B12MP12	XAF/XAUC48F	1.05	1.06	0.99
TM9E060B12MP12	XAFC36D	1.06	1.01	1.05
TM9E080B12MP11	CF/CM/CU48C	0.98	1.01	0.98
TM9E080B12MP12	XAF/XAUB36D	1.06	1.02	1.03
TM9E080B12MP12	XAF/XAUC48F	1.04	1.07	0.97
TM9E080B12MP12	XAFC36D	1.06	1.02	1.03
TM9E080B12MP12	XAHC48F	1.00	1.05	0.95
TM9E080C16MP11	CF/CM/CU48C	0.98	1.03	0.96
TM9E080C16MP11	CF/CM/CU48D	0.98	1.03	0.96
TM9E080C16MP12	XAF/XAUC48F	1.04	1.08	0.96
TM9E080C16MP12	XAFC36D	1.05	1.04	1.02
TM9E080C16MP12	XAFD48F	1.04	1.08	0.96
TM9E080C16MP12	XAHC36D	1.02	0.99	1.03
TM9E080C16MP12	XAHC48F	1.00	1.06	0.94
TM9E080C16MP12	XAHD48F	1.00	1.06	0.94
TM9E080C20MP12	XAF/XAUC48F	1.03	1.09	0.95
TM9E080C20MP12	XAFC36D	1.05	1.04	1.00
TM9E080C20MP12	XAFD48F	1.03	1.09	0.94
TM9E080C20MP12	XAHC36D	1.01	1.00	1.02
TM9E080C20MP12	XAHC48F	0.99	1.06	0.93
TM9E080C20MP12	XAHD48F	0.99	1.07	0.93
TM9E100C16MP11	CF/CM/CU48C	0.98	1.02	0.96
TM9E100C16MP11	CF/CM/CU48D	0.98	1.02	0.96
TM9E100C16MP12	XAF/XAUC48F	1.04	1.09	0.95
TM9E100C16MP12	XAFC36D	1.05	1.03	1.03
TM9E100C16MP12	XAFD48F	1.04	1.09	0.95
TM9E100C16MP12	XAHC36D	1.02	0.99	1.03
TM9E100C16MP12	XAHC48F	0.99	1.06	0.94
TM9E100C16MP12	XAHD48F	1.00	1.06	0.94
TM9E100C20MP11	CF/CM/CU48C	0.98	1.04	0.95
TM9E100C20MP11	CF/CM/CU48D	0.98	1.05	0.94
TM9E100C20MP12	XAF/XAUC48F	1.03	1.09	0.95
TM9E100C20MP12	XAFC36D	1.05	1.04	1.00
TM9E100C20MP12	XAFD48F	1.03	1.09	0.94
TM9E100C20MP12	XAHC36D	1.01	1.00	1.02
TM9E100C20MP12	XAHC48F	1.00	1.06	0.94
TM9E100C20MP12	XAHD48F	0.99	1.07	0.93
TM9E120D20MP11	CF/CM/CU48D	0.98	1.00	0.98
TM9E120D20MP12	XAFD48F	1.03	1.09	0.94
TM9E120D20MP12	XAHD48F	0.99	1.06	0.93
TM9V060B12MP12C	CF/CM/CU48C	0.98	0.99	0.99
TM9V060B12MP12C	XAF/XAUB36D	1.06	1.02	1.04
TM9V060B12MP12C	XAF/XAUC48F	1.05	1.07	0.98
TM9V060B12MP12C	XAFC36D	1.06	1.02	1.04
TM9V080B12MP12C	CF/CM/CU48C	0.98	1.02	0.97
TM9V080B12MP12C	XAF/XAUB36D	1.06	1.02	1.03
TM9V080B12MP12C	XAF/XAUC48F	1.04	1.08	0.97
TM9V080B12MP12C	XAFC36D	1.06	1.03	1.03
TM9V080B12MP12C	XAHC48F	1.00	1.05	0.95
TM9V080B12MP12C	XAHD48F	1.00	1.05	0.95
TM9V080C16MP12C	CF/CM/CU48C	0.98	1.01	0.97
TM9V080C16MP12C	CF/CM/CU48D	0.98	0.99	0.99
TM9V080C16MP12C	XAF/XAUC48F	1.04	1.08	0.96
TM9V080C16MP12C	XAFC36D	1.05	1.03	1.02
TM9V080C16MP12C	XAFD48F	1.04	1.07	0.97

FURNACE MULTIPLIERS - 3 TON (Continued)

Furnaces	Coil	MBH	COP	KW
TM9V080C16MP12C	XAHC36D	1.02	0.98	1.03
TM9V080C16MP12C	XAHC48F	1.00	1.05	0.95
TM9V080C16MP12C	XAHD48F	1.00	1.05	0.94
TM9V100C16MP12C	CF/CM/CU48C	0.98	1.03	0.95
TM9V100C16MP12C	CF/CM/CU48D	0.98	1.01	0.97
TM9V100C16MP12C	XAF/XAUC48F	1.03	1.09	0.95
TM9V100C16MP12C	XAFC36D	1.05	1.04	1.01
TM9V100C16MP12C	XAFD48F	1.03	1.09	0.95
TM9V100C16MP12C	XAHC36D	1.01	1.00	1.01
TM9V100C16MP12C	XAHC48F	0.99	1.06	0.93
TM9V100C16MP12C	XAHD48F	0.99	1.07	0.93
TM9V100C20MP12C	CF/CM/CU48C	0.98	1.03	0.95
TM9V100C20MP12C	CF/CM/CU48D	0.98	1.03	0.95
TM9V100C20MP12C	XAF/XAUC48F	1.03	1.09	0.95
TM9V100C20MP12C	XAFC36D	1.05	1.04	1.01
TM9V100C20MP12C	XAFD48F	1.03	1.09	0.95
TM9V100C20MP12C	XAHC36D	1.01	1.00	1.02
TM9V100C20MP12C	XAHC48F	1.00	1.06	0.94
TM9V100C20MP12C	XAHD48F	0.99	1.06	0.93
TM9V120D20MP12C	CF/CM/CU48D	0.98	1.03	0.95
TM9V120D20MP12C	XAFD48F	1.03	1.09	0.94
TM9V120D20MP12C	XAHD48F	0.99	1.07	0.93
TM9Y060B12MP11	CF/CM/CU48C	0.99	1.01	0.98
TM9Y060B12MP11	XAF/XAUB36D	1.06	1.01	1.05
TM9Y060B12MP11	XAF/XAUC48F	1.05	1.05	0.99
TM9Y060B12MP11	XAFC36D	1.06	1.01	1.05
TM9Y080B12MP11	CF/CM/CU48C	0.98	1.01	0.98
TM9Y080B12MP11	XAF/XAUB36D	1.06	1.01	1.05
TM9Y080B12MP11	XAF/XAUC48F	1.05	1.06	0.99
TM9Y080B12MP11	XAFC36D	1.06	1.01	1.04
TM9Y080C16MP11	CF/CM/CU48C	0.98	1.03	0.96
TM9Y080C16MP11	CF/CM/CU48D	0.98	1.03	0.96
TM9Y080C16MP11	XAF/XAUC48F	1.04	1.08	0.96
TM9Y080C16MP11	XAFC36D	1.06	1.03	1.03
TM9Y080C16MP11	XAFD48F	1.04	1.08	0.96
TM9Y080C16MP11	XAHC36D	1.02	0.98	1.04
TM9Y080C16MP11	XAHC48F	1.00	1.05	0.95
TM9Y080C16MP11	XAHD48F	1.00	1.05	0.95
TM9Y100C16MP11	CF/CM/CU48C	0.98	1.02	0.96
TM9Y100C16MP11	CF/CM/CU48D	0.98	1.02	0.96
TM9Y100C16MP11	XAF/XAUC48F	1.04	1.08	0.96
TM9Y100C16MP11	XAFC36D	1.05	1.04	1.01
TM9Y100C16MP11	XAFD48F	1.04	1.08	0.96
TM9Y100C16MP11	XAHC36D	1.02	0.99	1.03
TM9Y100C16MP11	XAHC48F	1.00	1.05	0.95
TM9Y100C16MP11	XAHD48F	1.00	1.06	0.94
TM9Y100C20MP11	CF/CM/CU48C	0.98	1.04	0.95
TM9Y100C20MP11	CF/CM/CU48D	0.98	1.05	0.94
TM9Y100C20MP11	XAF/XAUC48F	1.04	1.08	0.96
TM9Y100C20MP11	XAFC36D	1.05	1.03	1.02
TM9Y100C20MP11	XAFD48F	1.04	1.08	0.96
TM9Y100C20MP11	XAHC36D	1.02	0.99	1.03
TM9Y100C20MP11	XAHC48F	1.00	1.05	0.95
TM9Y100C20MP11	XAHD48F	1.00	1.06	0.94
TM9Y120D20MP11	CF/CM/CU48D	0.98	1.00	0.98

FURNACE MULTIPLIERS - 3 TON (Continued)

Furnaces	Coil	MBH	COP	KW
TM9Y120D20MP11	XAFD48F	1.03	1.09	0.94
TM9Y120D20MP11	XAHD48F	0.99	1.07	0.92
TMLE040A12MP11	XAF/XAUB36D	1.06	1.03	1.02
TMLE040A12MP11	XAFA30D	1.06	1.01	1.05
TMLE060A12MP11	XAF/XAUB36D	1.06	1.03	1.03
TMLE060A12MP11	XAFA30D	1.06	1.01	1.05
TMLE080B12MP11	XAF/XAUB36D	1.06	1.03	1.03
TMLE080B12MP11	XAF/XAUC48F	1.04	1.08	0.96
TMLE080B12MP11	XAFC36D	1.06	1.03	1.03
TMLE080B12MP11	XAHC48F	1.00	1.05	0.95
TMLE080C16MP11	XAF/XAUC48F	1.04	1.09	0.95
TMLE080C16MP11	XAFC36D	1.05	1.04	1.01
TMLE080C16MP11	XAFD48F	1.04	1.09	0.95
TMLE080C16MP11	XAHC36D	1.01	1.00	1.02
TMLE080C16MP11	XAHC48F	1.00	1.06	0.94
TMLE080C16MP11	XAHD48F	1.00	1.07	0.93
TMLE080C20MP11	XAF/XAUC48F	1.03	1.09	0.94
TMLE080C20MP11	XAFC36D	1.04	1.05	1.00
TMLE080C20MP11	XAFD48F	1.03	1.09	0.94
TMLE080C20MP11	XAHC36D	1.01	1.00	1.01
TMLE080C20MP11	XAHC48F	0.99	1.06	0.93
TMLE080C20MP11	XAHD48F	0.99	1.07	0.92
TMLE100B12MP11	XAF/XAUB36D	1.05	1.03	1.02
TMLE100B12MP11	XAF/XAUC48F	1.04	1.08	0.97
TMLE100B12MP11	XAFC36D	1.05	1.03	1.02
TMLE100B12MP11	XAHC36D	1.02	0.98	1.04
TMLE100B12MP11	XAHC48F	1.00	1.05	0.95
TMLE100C16MP11	XAF/XAUC48F	1.04	1.09	0.95
TMLE100C16MP11	XAFC36D	1.05	1.03	1.02
TMLE100C16MP11	XAFD48F	1.03	1.09	0.95
TMLE100C16MP11	XAHC36D	1.02	1.00	1.02
TMLE100C16MP11	XAHC48F	1.00	1.06	0.94
TMLE100C16MP11	XAHD48F	0.99	1.06	0.93
TMLE100C20MP11	XAF/XAUC48F	1.03	1.09	0.94
TMLE100C20MP11	XAFC36D	1.04	1.04	1.00
TMLE100C20MP11	XAFD48F	1.03	1.09	0.94
TMLE100C20MP11	XAHC36D	1.01	1.00	1.01
TMLE100C20MP11	XAHC48F	0.99	1.06	0.93
TMLE100C20MP11	XAHD48F	0.99	1.07	0.92
TMLE120C16MP11	XAF/XAUC48F	1.04	1.09	0.95
TMLE120C16MP11	XAFC36D	1.05	1.03	1.02
TMLE120C16MP11	XAFD48F	1.03	1.09	0.95
TMLE120C16MP11	XAHC36D	1.02	1.00	1.02
TMLE120C16MP11	XAHC48F	1.00	1.06	0.94
TMLE120C16MP11	XAHD48F	1.00	1.06	0.94
TMLE120C20MP11	XAF/XAUC48F	1.03	1.09	0.95
TMLE120C20MP11	XAFC36D	1.05	1.04	1.00
TMLE120C20MP11	XAFD48F	1.03	1.09	0.94
TMLE120C20MP11	XAHC36D	1.01	1.00	1.01
TMLE120C20MP11	XAHC48F	1.00	1.07	0.93
TMLE120C20MP11	XAHD48F	0.99	1.07	0.93
TMLE130D20MP11	XAFD48F	1.03	1.09	0.94
TMLE130D20MP11	XAHD48F	0.99	1.07	0.93
TMLV060A12MP12C	XAF/XAUB36D	1.06	1.03	1.03
TMLV060A12MP12C	XAFA30D	1.06	1.02	1.04

FURNACE MULTIPLIERS - 3 TON (Continued)

Furnaces	Coil	MBH	COP	KW
TMLV080B12MP12C	CF/CM/CU48C	0.98	0.99	0.99
TMLV080C16MP12C	CF/CM/CU48C	0.98	1.03	0.96
TMLV080C16MP12C	CF/CM/CU48D	0.98	0.99	0.99
TMLV100C16MP12C	CF/CM/CU48C	0.98	1.03	0.96
TMLV100C16MP12C	CF/CM/CU48D	0.98	0.99	0.99
TMLV100C16MP12C	XAF/XAUC48F	1.04	1.09	0.95
TMLV100C16MP12C	XAFC36D	1.05	1.03	1.01
TMLV100C16MP12C	XAFD48F	1.04	1.09	0.95
TMLV100C16MP12C	XAHC36D	1.01	0.99	1.02
TMLV100C16MP12C	XAHC48F	1.00	1.06	0.94
TMLV100C16MP12C	XAHD48F	1.00	1.06	0.94
TMLV100C20MP12C	CF/CM/CU48C	0.98	1.05	0.94
TMLV100C20MP12C	CF/CM/CU48D	0.98	1.05	0.94
TMLV120C20MP12C	CF/CM/CU48C	0.98	1.05	0.94
TMLV120C20MP12C	CF/CM/CU48D	0.98	1.05	0.94
TMLV120C20MP12C	XAF/XAUC48F	1.03	1.09	0.94
TMLV120C20MP12C	XAFC36D	1.05	1.04	1.00
TMLV120C20MP12C	XAFD48F	1.03	1.10	0.94
TMLV120C20MP12C	XAHC36D	1.01	1.01	1.00
TMLV120C20MP12C	XAHC48F	0.99	1.07	0.93
TMLV120C20MP12C	XAHD48F	0.99	1.07	0.92
TMLX080B12MP11	CF/CM/CU48C	0.98	1.01	0.97
TMLX080C16MP11	CF/CM/CU48C	0.98	0.99	0.99
TMLX080C16MP11	CF/CM/CU48D	0.98	1.01	0.97
TMLX100C16MP11	CF/CM/CU48C	0.98	0.99	0.99
TMLX100C16MP11	CF/CM/CU48D	0.98	1.01	0.97
TMLX100C20MP11	CF/CM/CU48C	0.98	1.02	0.96
TMLX100C20MP11	CF/CM/CU48D	0.98	1.02	0.96
TMLX120C20MP11	CF/CM/CU48C	0.98	1.02	0.96
TMLX120C20MP11	CF/CM/CU48D	0.98	1.02	0.96
TP9C060B12MP13C	CF/CM/CU48C	0.98	0.99	0.99
TP9C060B12MP13C	XAF/XAUB36D	1.06	1.02	1.04
TP9C060B12MP13C	XAF/XAUC48F	1.05	1.07	0.98
TP9C060B12MP13C	XAFC36D	1.06	1.02	1.04
TP9C080B12MP13C	CF/CM/CU48C	0.98	1.02	0.97
TP9C080B12MP13C	XAF/XAUB36D	1.06	1.02	1.03
TP9C080B12MP13C	XAF/XAUC48F	1.04	1.08	0.97
TP9C080B12MP13C	XAFC36D	1.06	1.03	1.03
TP9C080B12MP13C	XAHC48F	1.00	1.05	0.95
TP9C080C16MP13C	CF/CM/CU48C	0.98	1.01	0.97
TP9C080C16MP13C	CF/CM/CU48D	0.98	0.99	0.99
TP9C080C16MP13C	XAF/XAUC48F	1.04	1.08	0.96
TP9C080C16MP13C	XAFC36D	1.05	1.03	1.02
TP9C080C16MP13C	XAFD48F	1.04	1.07	0.97
TP9C080C16MP13C	XAHC36D	1.02	0.98	1.03
TP9C080C16MP13C	XAHC48F	1.00	1.05	0.95
TP9C080C16MP13C	XAHD48F	1.00	1.05	0.94
TP9C100C16MP13C	CF/CM/CU48C	0.98	1.03	0.95
TP9C100C16MP13C	CF/CM/CU48D	0.98	1.01	0.97
TP9C100C16MP13C	XAF/XAUC48F	1.03	1.09	0.95
TP9C100C16MP13C	XAFC36D	1.05	1.04	1.01
TP9C100C16MP13C	XAFD48F	1.03	1.09	0.95
TP9C100C16MP13C	XAHC36D	1.01	1.00	1.01
TP9C100C16MP13C	XAHC48F	0.99	1.06	0.93
TP9C100C16MP13C	XAHD48F	0.99	1.07	0.93

FURNACE MULTIPLIERS - 3 TON (Continued)

Furnaces	Coil	MBH	COP	KW
TP9C100C20MP13C	CF/CM/CU48C	0.98	1.03	0.95
TP9C100C20MP13C	CF/CM/CU48D	0.98	1.03	0.95
TP9C100C20MP13C	XAF/XAUC48F	1.03	1.09	0.95
TP9C100C20MP13C	XAFC36D	1.05	1.04	1.01
TP9C100C20MP13C	XAFD48F	1.03	1.09	0.95
TP9C100C20MP13C	XAHC36D	1.01	1.00	1.02
TP9C100C20MP13C	XAHC48F	1.00	1.06	0.94
TP9C100C20MP13C	XAHD48F	0.99	1.06	0.93
TP9C120D20MP13C	CF/CM/CU48D	0.98	1.03	0.95
TP9C120D20MP13C	XAFD48F	1.03	1.09	0.94
TP9C120D20MP13C	XAHD48F	0.99	1.07	0.93
TPLC060A12MP13C	XAF/XAUB36D	1.06	1.03	1.03
TPLC060A12MP13C	XAFA30D	1.06	1.02	1.04
TPLC080B12MP13C	CF/CM/CU48C	0.98	0.99	0.99
TPLC080B12MP13C	XAF/XAUB36D	1.06	1.02	1.05
TPLC080B12MP13C	XAF/XAUC48F	1.05	1.06	0.98
TPLC080B12MP13C	XAFC36D	1.06	1.02	1.04
TPLC080C16MP13C	CF/CM/CU48C	0.98	1.03	0.96
TPLC080C16MP13C	CF/CM/CU48D	0.98	0.99	0.99
TPLC080C16MP13C	XAF/XAUC48F	1.04	1.09	0.95
TPLC080C16MP13C	XAFC36D	1.05	1.03	1.01
TPLC080C16MP13C	XAFD48F	1.04	1.09	0.95
TPLC080C16MP13C	XAHC36D	1.01	0.99	1.02
TPLC080C16MP13C	XAHC48F	1.00	1.06	0.94
TPLC080C16MP13C	XAHD48F	1.00	1.06	0.94
TPLC100C16MP13C	CF/CM/CU48C	0.98	1.03	0.96
TPLC100C16MP13C	CF/CM/CU48D	0.98	0.99	0.99
TPLC100C16MP13C	XAF/XAUC48F	1.04	1.09	0.95
TPLC100C16MP13C	XAFC36D	1.05	1.03	1.01
TPLC100C16MP13C	XAFD48F	1.04	1.09	0.95
TPLC100C16MP13C	XAHC36D	1.01	0.99	1.02
TPLC100C16MP13C	XAHC48F	1.00	1.06	0.94
TPLC100C16MP13C	XAHD48F	1.00	1.06	0.94
TPLC100C20MP13C	CF/CM/CU48C	0.98	1.05	0.94
TPLC100C20MP13C	CF/CM/CU48D	0.98	1.05	0.94
TPLC100C20MP13C	XAF/XAUC48F	1.03	1.09	0.94
TPLC100C20MP13C	XAFC36D	1.05	1.04	1.00
TPLC100C20MP13C	XAFD48F	1.03	1.10	0.94
TPLC100C20MP13C	XAHC36D	1.01	1.01	1.00
TPLC100C20MP13C	XAHC48F	0.99	1.07	0.93
TPLC100C20MP13C	XAHD48F	0.99	1.07	0.92
TPLC120C20MP13C	CF/CM/CU48C	0.98	1.05	0.94
TPLC120C20MP13C	CF/CM/CU48D	0.98	1.05	0.94
TPLC120C20MP13C	XAF/XAUC48F	1.03	1.09	0.94
TPLC120C20MP13C	XAFC36D	1.05	1.04	1.00
TPLC120C20MP13C	XAFD48F	1.03	1.10	0.94
TPLC120C20MP13C	XAHC36D	1.01	1.01	1.00
TPLC120C20MP13C	XAHC48F	0.99	1.07	0.93
TPLC120C20MP13C	XAHD48F	0.99	1.07	0.92
YP9C060B12MP13C	CF/CM/CU48C	0.98	0.99	0.99
YP9C060B12MP13C	XAF/XAUB36D	1.06	1.02	1.04
YP9C060B12MP13C	XAF/XAUC48F	1.05	1.07	0.98
YP9C060B12MP13C	XAFC36D	1.06	1.02	1.04
YP9C080B12MP13C	CF/CM/CU48C	0.98	1.02	0.97
YP9C080B12MP13C	XAF/XAUB36D	1.06	1.02	1.03

FURNACE MULTIPLIERS - 3 TON (Continued)

Furnaces	Coil	MBH	COP	KW
YP9C080B12MP13C	XAF/XAUC48F	1.04	1.08	0.97
YP9C080B12MP13C	XAFC36D	1.06	1.03	1.03
YP9C080B12MP13C	XAHC48F	1.00	1.05	0.95
YP9C080C16MP13C	CF/CM/CU48C	0.98	1.01	0.97
YP9C080C16MP13C	CF/CM/CU48D	0.98	0.99	0.99
YP9C080C16MP13C	XAF/XAUC48F	1.04	1.08	0.96
YP9C080C16MP13C	XAFC36D	1.05	1.03	1.02
YP9C080C16MP13C	XAFD48F	1.04	1.07	0.97
YP9C080C16MP13C	XAHC36D	1.02	0.98	1.03
YP9C080C16MP13C	XAHC48F	1.00	1.05	0.95
YP9C080C16MP13C	XAHD48F	1.00	1.05	0.94
YP9C100C16MP13C	CF/CM/CU48C	0.98	1.03	0.95
YP9C100C16MP13C	CF/CM/CU48D	0.98	1.01	0.97
YP9C100C16MP13C	XAF/XAUC48F	1.03	1.09	0.95
YP9C100C16MP13C	XAFC36D	1.05	1.04	1.01
YP9C100C16MP13C	XAFD48F	1.03	1.09	0.95
YP9C100C16MP13C	XAHC36D	1.01	1.00	1.01
YP9C100C16MP13C	XAHC48F	0.99	1.06	0.93
YP9C100C16MP13C	XAHD48F	0.99	1.07	0.93
YP9C100C20MP13C	CF/CM/CU48C	0.98	1.03	0.95
YP9C100C20MP13C	CF/CM/CU48D	0.98	1.03	0.95
YP9C100C20MP13C	XAF/XAUC48F	1.03	1.09	0.95
YP9C100C20MP13C	XAFC36D	1.05	1.04	1.01
YP9C100C20MP13C	XAFD48F	1.03	1.09	0.95
YP9C100C20MP13C	XAHC36D	1.01	1.00	1.02
YP9C100C20MP13C	XAHC48F	1.00	1.06	0.94
YP9C100C20MP13C	XAHD48F	0.99	1.06	0.93
YP9C120D20MP13C	CF/CM/CU48D	0.98	1.03	0.95
YP9C120D20MP13C	XAFD48F	1.03	1.09	0.94
YP9C120D20MP13C	XAHD48F	0.99	1.07	0.93
YPLC060A12MP13C	XAF/XAUB36D	1.06	1.03	1.03
YPLC060A12MP13C	XAFA30D	1.06	1.02	1.04
YPLC080B12MP13C	CF/CM/CU48C	0.98	0.99	0.99
YPLC080B12MP13C	XAF/XAUB36D	1.06	1.02	1.05
YPLC080B12MP13C	XAF/XAUC48F	1.05	1.06	0.98
YPLC080B12MP13C	XAFC36D	1.06	1.02	1.04
YPLC080C16MP13C	CF/CM/CU48C	0.98	1.03	0.96
YPLC080C16MP13C	CF/CM/CU48D	0.98	0.99	0.99
YPLC080C16MP13C	XAF/XAUC48F	1.04	1.09	0.95
YPLC080C16MP13C	XAFC36D	1.05	1.03	1.01
YPLC080C16MP13C	XAFD48F	1.04	1.09	0.95
YPLC080C16MP13C	XAHC36D	1.01	0.99	1.02
YPLC080C16MP13C	XAHC48F	1.00	1.06	0.94
YPLC080C16MP13C	XAHD48F	1.00	1.06	0.94
YPLC100C16MP13C	CF/CM/CU48C	0.98	1.03	0.96
YPLC100C16MP13C	CF/CM/CU48D	0.98	0.99	0.99
YPLC100C16MP13C	XAF/XAUC48F	1.04	1.09	0.95
YPLC100C16MP13C	XAFC36D	1.05	1.03	1.01
YPLC100C16MP13C	XAFD48F	1.04	1.09	0.95
YPLC100C16MP13C	XAHC36D	1.01	0.99	1.02
YPLC100C16MP13C	XAHC48F	1.00	1.06	0.94
YPLC100C16MP13C	XAHD48F	1.00	1.06	0.94
YPLC100C20MP13C	CF/CM/CU48C	0.98	1.05	0.94
YPLC100C20MP13C	CF/CM/CU48D	0.98	1.05	0.94
YPLC100C20MP13C	XAF/XAUC48F	1.03	1.09	0.94

FURNACE MULTIPLIERS - 3 TON (Continued)

Furnaces	Coil	MBH	COP	KW
YPLC100C20MP13C	XAFC36D	1.05	1.04	1.00
YPLC100C20MP13C	XAFD48F	1.03	1.10	0.94
YPLC100C20MP13C	XAHC36D	1.01	1.01	1.00
YPLC100C20MP13C	XAHC48F	0.99	1.07	0.93
YPLC100C20MP13C	XAHD48F	0.99	1.07	0.92
YPLC120C20MP13C	CF/CM/CU48C	0.98	1.05	0.94
YPLC120C20MP13C	CF/CM/CU48D	0.98	1.05	0.94
YPLC120C20MP13C	XAF/XAUC48F	1.03	1.09	0.94
YPLC120C20MP13C	XAFC36D	1.05	1.04	1.00
YPLC120C20MP13C	XAFD48F	1.03	1.10	0.94
YPLC120C20MP13C	XAHC36D	1.01	1.01	1.00
YPLC120C20MP13C	XAHC48F	0.99	1.07	0.93
YPLC120C20MP13C	XAHD48F	0.99	1.07	0.92

PERFORMANCE DATA - 3.5 TON

CONDENSER-ONLY DATA (OUTDOOR UNIT)																
MODEL	SATURATED SUCTION AT COMPRESSOR		Outdoor Ambient Temperature													
			65 °F		75 °F		85 °F		95 °F		105 °F		115 °F		125 °F	
	T (°F)	P (PSIG)	MBH	KW	MBH	KW	MBH	KW	MBH	KW	MBH	KW	MBH	KW	MBH	KW
THE42B(3,4)3S	35	107	42.6	0.91	37.8	1.80	33.1	2.69	28.3	3.57	23.6	4.46	18.8	5.35	14.1	6.24
	40	119	45.3	1.26	41.2	1.97	37.1	2.68	33.0	3.39	28.9	4.10	24.8	4.81	20.6	5.52
	45	130	48.1	1.61	44.6	2.14	41.2	2.67	37.7	3.20	34.2	3.74	30.7	4.27	27.2	4.80
	50	143	50.9	1.96	48.1	2.31	45.2	2.67	42.3	3.02	39.5	3.37	36.6	3.73	33.8	4.08
	55	156	53.7	2.31	51.5	2.49	49.2	2.66	47.0	2.84	44.8	3.01	42.5	3.18	40.3	3.36

Notes:

- For Outdoor Unit (Condenser) performance only. Data does not include the effects of air handler power or heat.
- Performance based on 15°F subcooling and 15°F superheat at the Outdoor Unit base valves.
 - Increase capacity by 1% for each 2°F increase in subcooling.
 - Decrease capacity by 1% for each 2°F decrease in subcooling.
- Maximum recommended condensing temperature is 140°F.

COOLING PERFORMANCE DATA																	
AIR CONDITIONER MODEL NO.		THE42B(3,4)3S															
AIR TEMP. ENTERING OUTDOOR UNIT (°F)	IDCFM	1150					1400					1650					
		ID DB (°F)	80	80	75	80	80	80	80	75	80	80	80	80	75	80	80
		ID WB (°F)	57	62	62	67	72	57	62	62	67	72	57	62	62	67	72
65	T.C.	37.5	40.7	41.2	45.6	50.7	39.9	42.1	42.8	47.2	52.2	42.3	43.5	44.4	48.7	53.6	
	S.C.	37.3	34.2	29.1	28.9	22.8	39.8	37.6	31.7	31.5	24.4	42.3	41.1	34.3	34.1	25.9	
	KW	2.48	2.48	2.48	2.49	2.50	2.57	2.57	2.58	2.58	2.59	2.66	2.65	2.67	2.67	2.68	
75	T.C.	36.4	38.4	39.0	44.2	49.7	38.6	40.0	41.0	45.7	51.2	40.8	41.6	42.9	47.3	52.8	
	S.C.	36.2	33.0	28.2	28.3	22.4	38.5	36.7	31.1	31.1	24.1	40.8	40.4	33.9	33.9	25.9	
	KW	2.72	2.72	2.72	2.73	2.74	2.81	2.80	2.82	2.82	2.83	2.90	2.88	2.91	2.91	2.92	
85	T.C.	35.0	36.8	37.3	41.9	47.0	37.1	38.2	38.9	43.3	48.5	39.2	39.6	40.5	44.6	49.9	
	S.C.	35.0	32.5	27.5	27.6	21.7	37.1	36.1	30.3	30.4	23.3	39.2	39.6	33.1	33.1	25.0	
	KW	3.05	3.05	3.06	3.06	3.06	3.14	3.14	3.14	3.14	3.15	3.23	3.22	3.23	3.23	3.24	
95	T.C.	33.7	35.2	35.6	39.6	44.4	35.6	36.4	36.9	40.8	45.7	37.5	37.6	38.1	42.0	47.1	
	S.C.	33.7	32.1	26.8	26.9	21.0	35.6	35.5	29.5	29.7	22.5	37.5	37.6	32.2	32.4	24.1	
	KW	3.38	3.38	3.39	3.38	3.38	3.47	3.47	3.47	3.47	3.46	3.56	3.56	3.56	3.56	3.55	
105	T.C.	32.0	33.5	33.7	37.6	42.4	33.7	34.7	34.9	38.7	43.6	35.5	35.9	36.1	39.9	44.9	
	S.C.	32.0	30.9	25.7	25.9	20.3	33.7	33.8	28.2	28.7	21.9	35.5	35.9	30.8	31.4	23.5	
	KW	3.76	3.76	3.76	3.76	3.75	3.85	3.84	3.85	3.84	3.84	3.94	3.93	3.94	3.93	3.93	
115	T.C.	30.3	31.7	31.9	35.5	40.5	31.9	32.9	33.0	36.6	41.6	33.4	34.1	34.1	37.8	42.7	
	S.C.	30.3	29.7	24.6	24.9	19.6	31.9	32.2	27.0	27.7	21.2	33.4	34.1	29.4	30.4	22.8	
	KW	4.13	4.13	4.14	4.14	4.13	4.22	4.22	4.23	4.22	4.22	4.31	4.30	4.31	4.30	4.31	
125	T.C.	28.7	30.0	30.1	33.4	38.5	30.0	31.2	31.1	34.6	39.5	31.3	32.4	32.0	35.7	40.5	
	S.C.	28.7	28.4	23.5	23.9	18.9	30.0	30.5	25.8	26.7	20.5	31.3	32.4	28.1	29.4	22.1	
	KW	4.51	4.50	4.52	4.52	4.50	4.59	4.59	4.60	4.60	4.68	4.68	4.68	4.69	4.68	4.68	

NOTE: ALL CAPACITIES INCLUDE INDOOR FAN HEAT. KW VALUES ARE OR THE SYSTEM (OUTDOOR + INDOOR).

Green shaded cells are ACCA (TVA) conditions.

Blue shaded cells are AHRI conditions.

Multipliers for determining the performance with other indoor sections.

NOTE: For dry bulb temperatures different than those listed (between 73-87 °F), sensible capacity increases by 1060 BTUH per 1000 CFM per degree above the listed temperature and decreases by 1060 BTUH per 1000 CFM per degree below the listed temperature.

COIL MULTIPLIERS - 3.5 TON

Air Handler	Coil	T.C.	S.C.	KW
—	CF/CM/CU48C	1.00	1.07	1.09
—	CF/CM/CU48D	1.00	1.07	1.09
AE42CX21	—	0.99	0.97	0.99
AE48CBC21	—	1.00	1.00	1.00
AE48CX21	—	1.00	1.00	1.00
AE48DBC21	—	1.00	1.03	0.98
AE48DX21	—	1.00	1.03	0.98
AP48CBC21	—	1.01	1.01	1.06
AP48CX21	—	1.01	1.01	1.06
AP48DX21	—	1.01	1.11	1.10
AVC42CX21	—	0.99	0.97	0.99
AVC48CX21	—	1.00	1.00	1.00
AVC48DX21	—	1.00	0.99	1.00
ME14DN21	CF/CM48D	1.00	1.00	1.00
ME14DN21	XAF/XAUD60G	1.02	1.01	1.01
ME14DN21	XAFD48F	1.01	1.03	0.94
ME14DN21	XAHD48F	0.98	0.99	0.94
ME14DN21	XAHD60G	1.00	0.99	1.02
ME16CN21	CF/CM48C	1.00	1.05	1.00
ME16CN21	XAF/XAUC48F	0.99	1.01	0.95
ME16CN21	XAHC48F	0.97	0.97	0.97
ME20DN21	CF/CM48D	1.01	1.04	0.99
ME20DN21	XAF/XAUD60G	1.02	1.01	0.99
ME20DN21	XAFD48F	1.00	1.01	0.93
ME20DN21	XAHD48F	0.97	0.97	0.93
ME20DN21	XAHD60G	1.00	1.00	1.00
MVC14DN21	CF/CM48D	1.00	0.99	0.98
MVC14DN21	XAF/XAUD60G	1.02	1.02	1.00
MVC14DN21	XAFD48F	1.00	1.02	0.94
MVC14DN21	XAHD48F	0.97	0.98	0.94
MVC14DN21	XAHD60G	1.01	1.01	1.01
MVC16CN21	CF/CM48C	1.00	0.99	1.00
MVC16CN21	XAF/XAUC48F	0.99	1.01	0.95
MVC16CN21	XAHC48F	0.98	0.99	0.94
MVC20DN21	CF/CM48D	1.00	0.99	0.98
MVC20DN21	XAF/XAUD60G	1.02	1.02	0.99
MVC20DN21	XAFD48F	1.01	1.03	0.93
MVC20DN21	XAHD48F	0.97	0.98	0.94
MVC20DN21	XAHD60G	1.00	1.00	1.00

FURNACE MULTIPLIERS - 3.5 TON

Furnaces	Coil	T.C.	S.C.	KW
TL8E080C16UH11	XAF/XAUC48F	0.98	1.00	0.97
TL8E080C16UH11	XAF/XAUD60G	1.02	1.02	1.03
TL8E080C16UH11	XAFD48F	0.99	1.01	0.98
TL8E080C16UH11	XAHD48F	0.97	0.98	0.96
TL8E100C20UH11	XAF/XAUC48F	1.00	1.02	0.95
TL8E100C20UH11	XAF/XAUD60G	1.01	1.01	1.02
TL8E100C20UH11	XAFD48F	1.00	1.02	0.94
TL8E100C20UH11	XAHC48F	0.97	0.97	0.96
TL8E100C20UH11	XAHD48F	0.97	0.97	0.95
TL9E080C16UH11	XAF/XAUC48F	0.98	0.99	0.98

FURNACE MULTIPLIERS - 3.5 TON (Continued)

Furnaces	Coil	T.C.	S.C.	KW
TL9E080C16UH11	XAFD48F	0.98	0.99	0.98
TL9E100C20UH11	XAF/XAUC48F	1.01	1.03	0.96
TL9E100C20UH11	XAF/XAUD60G	1.02	1.02	1.01
TL9E100C20UH11	XAFD48F	1.00	1.03	0.95
TL9E100C20UH11	XAHC48F	0.97	0.97	0.97
TL9E100C20UH11	XAHD48F	0.97	0.97	0.96
TM8E080C16MP11	XAF/XAUC48F	1.00	1.02	0.96
TM8E080C16MP11	XAF/XAUD60G	1.02	1.02	1.03
TM8E080C16MP11	XAFD48F	0.99	1.01	0.96
TM8E080C16MP11	XAHD48F	0.97	0.98	0.96
TM8E080C20MP11	XAF/XAUC48F	1.00	1.02	0.95
TM8E080C20MP11	XAF/XAUD60G	1.02	1.03	1.01
TM8E080C20MP11	XAFD48F	1.00	1.02	0.95
TM8E080C20MP11	XAHC48F	0.97	0.97	0.97
TM8E080C20MP11	XAHD48F	0.97	0.98	0.97
TM8E100C16MP11	XAF/XAUC48F	0.99	1.01	0.96
TM8E100C16MP11	XAF/XAUD60G	1.02	1.02	1.02
TM8E100C16MP11	XAFD48F	0.99	1.01	0.95
TM8E100C16MP11	XAHD48F	0.97	0.97	0.96
TM8E100C20MP11	XAF/XAUC48F	1.00	1.02	0.95
TM8E100C20MP11	XAF/XAUD60G	1.02	1.03	1.01
TM8E100C20MP11	XAFD48F	1.00	1.02	0.95
TM8E100C20MP11	XAHC48F	0.97	0.97	0.96
TM8E100C20MP11	XAHD48F	0.97	0.97	0.96
TM8E120C16MP11	XAF/XAUC48F	0.99	1.01	0.96
TM8E120C16MP11	XAF/XAUD60G	1.02	1.02	1.02
TM8E120C16MP11	XAFD48F	0.99	1.01	0.95
TM8E120C16MP11	XAHD48F	0.98	0.99	0.96
TM8E120C20MP11	XAF/XAUC48F	1.00	1.02	0.95
TM8E120C20MP11	XAF/XAUD60G	1.01	1.00	1.02
TM8E120C20MP11	XAFD48F	0.99	1.01	0.94
TM8E120C20MP11	XAHC48F	0.98	0.98	0.95
TM8E120C20MP11	XAHD48F	0.97	0.97	0.97
TM8E120C20MP11	XAHD60G	1.01	1.01	1.02
TM8E130D20MP11	XAF/XAUD60G	1.02	1.02	1.01
TM8E130D20MP11	XAFD48F	0.99	1.01	0.95
TM8E130D20MP11	XAHD48F	0.97	0.97	0.96
TM8V080C16MP12C	CF/CM/CU48C	0.99	0.97	0.99
TM8V080C16MP12C	CF/CM/CU48D	0.99	0.97	0.99
TM8V080C16MP12C	XAF/XAUC48F	0.98	1.00	0.97
TM8V080C16MP12C	XAF/XAUD60G	1.02	1.02	1.03
TM8V080C16MP12C	XAFD48F	0.99	1.01	0.98
TM8V080C16MP12C	XAHD48F	0.97	0.97	0.96
TM8V100C16MP12C	CF/CM/CU48C	0.99	0.97	0.99
TM8V100C16MP12C	CF/CM/CU48D	0.99	0.97	0.99
TM8V100C16MP12C	XAF/XAUC48F	0.98	1.00	0.97
TM8V100C16MP12C	XAF/XAUD60G	1.02	1.02	1.03
TM8V100C16MP12C	XAFD48F	1.00	1.02	0.95
TM8V100C16MP12C	XAHD48F	0.97	0.97	0.96
TM8V100C20MP12C	CF/CM/CU48C	0.99	0.97	0.99
TM8V100C20MP12C	CF/CM/CU48D	1.00	0.99	1.00
TM8V100C20MP12C	XAF/XAUC48F	0.99	1.01	0.95
TM8V100C20MP12C	XAF/XAUD60G	1.01	1.00	1.01

FURNACE MULTIPLIERS - 3.5 TON (Continued)

Furnaces	Coil	T.C.	S.C.	KW
TM8V100C20MP12C	XAFD48F	0.99	1.01	0.95
TM8V100C20MP12C	XAHC48F	0.97	0.98	0.97
TM8V100C20MP12C	XAHD48F	0.97	0.97	0.96
TM8V100C20MP12C	XAHD60G	1.00	1.01	1.02
TM8V120C20MP12C	CF/CM/CU48C	0.99	0.97	0.99
TM8V120C20MP12C	CF/CM/CU48D	1.00	0.99	1.00
TM8V120C20MP12C	XAF/XAUC48F	0.99	1.01	0.95
TM8V120C20MP12C	XAF/XAUD60G	1.01	1.00	1.01
TM8V120C20MP12C	XAFD48F	1.00	1.02	0.95
TM8V120C20MP12C	XAHC48F	0.97	0.98	0.97
TM8V120C20MP12C	XAHD48F	0.97	0.97	0.96
TM8V120C20MP12C	XAHD60G	1.00	1.01	1.02
TM8X080C16MP11	CF/CM/CU48C	0.99	0.97	0.99
TM8X080C16MP11	CF/CM/CU48D	0.99	0.97	0.99
TM8X100C16MP11	CF/CM/CU48C	0.99	0.97	0.99
TM8X100C16MP11	CF/CM/CU48D	0.99	0.97	0.99
TM8X100C20MP11	CF/CM/CU48C	1.00	1.01	1.00
TM8X100C20MP11	CF/CM/CU48D	1.00	1.03	1.00
TM8X120C20MP11	CF/CM/CU48C	1.00	1.01	1.00
TM8X120C20MP11	CF/CM/CU48D	1.00	1.03	1.00
TM8Y080C16MP11	CF/CM/CU48C	0.99	0.97	0.99
TM8Y080C16MP11	CF/CM/CU48D	0.99	0.97	0.99
TM8Y080C16MP11	XAF/XAUC48F	1.00	1.02	0.95
TM8Y080C16MP11	XAF/XAUD60G	1.02	1.03	1.01
TM8Y080C16MP11	XAFD48F	1.00	1.02	0.95
TM8Y080C16MP11	XAHD48F	0.97	0.97	0.97
TM8Y100C16MP11	CF/CM/CU48C	0.99	0.97	0.99
TM8Y100C16MP11	CF/CM/CU48D	0.99	0.97	0.99
TM8Y100C16MP11	XAF/XAUC48F	1.00	1.02	0.95
TM8Y100C16MP11	XAF/XAUD60G	1.02	1.03	1.01
TM8Y100C16MP11	XAFD48F	1.00	1.02	0.95
TM8Y100C16MP11	XAHD48F	0.97	0.97	0.97
TM8Y100C20MP11	CF/CM/CU48C	1.00	1.01	1.00
TM8Y100C20MP11	CF/CM/CU48D	1.00	1.03	1.00
TM8Y100C20MP11	XAF/XAUC48F	1.00	1.03	0.95
TM8Y100C20MP11	XAF/XAUD60G	1.02	1.01	1.02
TM8Y100C20MP11	XAFD48F	1.00	1.01	0.96
TM8Y100C20MP11	XAHC48F	0.98	0.98	0.97
TM8Y100C20MP11	XAHD48F	0.97	0.97	0.96
TM8Y100C20MP11	XAHD60G	1.00	0.99	1.02
TM8Y120C20MP11	CF/CM/CU48C	1.00	1.01	1.00
TM8Y120C20MP11	CF/CM/CU48D	1.00	1.03	1.00
TM8Y120C20MP11	XAF/XAUC48F	1.00	1.03	0.95
TM8Y120C20MP11	XAF/XAUD60G	1.02	1.01	1.02
TM8Y120C20MP11	XAFD48F	1.00	1.01	0.96
TM8Y120C20MP11	XAHC48F	0.98	0.98	0.97
TM8Y120C20MP11	XAHD48F	0.97	0.97	0.96
TM8Y120C20MP11	XAHD60G	1.00	0.99	1.02
TM9E080C16MP11	CF/CM/CU48C	0.99	0.98	0.99
TM9E080C16MP11	CF/CM/CU48D	0.99	0.98	0.99
TM9E080C16MP12	XAF/XAUC48F	1.00	1.02	0.98
TM9E080C16MP12	XAFD48F	1.00	1.02	0.97
TM9E080C20MP12	XAF/XAUC48F	1.00	1.03	0.95
TM9E080C20MP12	XAF/XAUD60G	1.01	1.01	1.01
TM9E080C20MP12	XAFD48F	1.00	1.02	0.95
TM9E080C20MP12	XAHC48F	0.97	0.97	0.97
TM9E080C20MP12	XAHD48F	0.97	0.97	0.96
TM9E120D20MP11	CF/CM/CU48D	1.00	1.02	1.00
TM9E120D20MP12	XAF/XAUD60G	1.01	1.01	1.01
TM9E120D20MP12	XAFD48F	1.00	1.02	0.95
TM9E120D20MP12	XAHD48F	0.97	0.97	0.96
TM9V080C16MP12C	CF/CM/CU48C	1.00	1.01	1.04
TM9V080C16MP12C	CF/CM/CU48D	1.00	1.01	1.04
TM9V080C16MP12C	XAF/XAUC48F	0.99	1.01	0.98
TM9V080C16MP12C	XAFD48F	0.99	1.01	0.98
TM9V100C16MP12C	CF/CM/CU48C	0.99	0.99	0.99
TM9V100C16MP12C	CF/CM/CU48D	0.99	0.99	0.99
TM9V100C16MP12C	XAF/XAUC48F	0.99	1.01	0.95
TM9V100C16MP12C	XAF/XAUD60G	1.01	1.01	1.03
TM9V100C16MP12C	XAFD48F	0.99	1.01	0.95
TM9V100C16MP12C	XAHC48F	0.98	0.98	0.97
TM9V100C16MP12C	XAHD48F	0.98	0.98	0.97
TM9V100C20MP12C	CF/CM/CU48C	1.00	1.01	1.00
TM9V100C20MP12C	CF/CM/CU48D	1.00	1.01	1.00
TM9V100C20MP12C	XAF/XAUC48F	0.99	1.00	0.97
TM9V100C20MP12C	XAF/XAUD60G	1.01	1.01	1.02
TM9V100C20MP12C	XAFD48F	0.99	1.00	0.96
TM9V100C20MP12C	XAHD48F	0.97	0.97	0.96
TM9V120D20MP12C	CF/CM/CU48D	1.00	1.00	1.00
TM9V120D20MP12C	XAF/XAUD60G	1.02	1.02	1.02
TM9V120D20MP12C	XAFD48F	0.99	1.01	0.95
TM9V120D20MP12C	XAHD48F	0.97	0.97	0.96
TM9V120D20MP12C	XAHD60G	1.00	1.01	1.03
TM9Y080C16MP11	CF/CM/CU48C	0.99	0.98	0.99
TM9Y080C16MP11	CF/CM/CU48D	0.99	0.98	0.99
TM9Y080C16MP11	XAF/XAUC48F	0.99	1.01	0.97
TM9Y080C16MP11	XAFD48F	1.00	1.02	0.97
TM9Y100C16MP11	CF/CM/CU48C	0.99	0.99	0.99
TM9Y100C16MP11	CF/CM/CU48D	0.99	0.99	0.99
TM9Y100C16MP11	XAF/XAUC48F	1.00	1.02	0.97
TM9Y100C16MP11	XAFD48F	1.00	1.02	0.97
TM9Y100C20MP11	CF/CM/CU48C	0.99	0.99	0.99
TM9Y100C20MP11	CF/CM/CU48D	1.00	1.00	1.00
TM9Y100C20MP11	XAF/XAUC48F	1.00	1.02	0.95
TM9Y100C20MP11	XAF/XAUD60G	1.02	1.03	1.02
TM9Y100C20MP11	XAFD48F	1.00	1.02	0.95
TM9Y100C20MP11	XAHD48F	0.98	0.98	0.98
TM9Y120D20MP11	CF/CM/CU48D	1.00	1.02	1.00
TM9Y120D20MP11	XAF/XAUD60G	1.01	1.01	1.01
TM9Y120D20MP11	XAFD48F	1.00	1.02	0.95
TM9Y120D20MP11	XAHD48F	0.97	0.97	0.96

FURNACE MULTIPLIERS - 3.5 TON (Continued)

Furnaces	Coil	T.C.	S.C.	KW
TM9E080C20MP12	XAHD48F	0.97	0.97	0.96
TM9E100C16MP11	CF/CM/CU48C	0.99	0.98	0.99
TM9E100C16MP11	CF/CM/CU48D	0.99	0.99	0.99
TM9E100C16MP12	XAF/XAUC48F	1.00	1.02	0.97
TM9E100C16MP12	XAFD48F	1.00	1.02	0.97
TM9E100C20MP11	CF/CM/CU48C	0.99	0.99	0.99
TM9E100C20MP11	CF/CM/CU48D	1.00	1.00	1.00
TM9E100C20MP12	XAF/XAUC48F	1.01	1.03	0.96
TM9E100C20MP12	XAF/XAUD60G	1.02	1.02	1.01
TM9E100C20MP12	XAFD48F	1.00	1.03	0.95
TM9E100C20MP12	XAHC48F	0.97	0.98	0.97
TM9E100C20MP12	XAHD48F	0.97	0.97	0.96
TM9E120D20MP11	CF/CM/CU48D	1.00	1.02	1.00
TM9E120D20MP12	XAF/XAUD60G	1.01	1.01	1.01
TM9E120D20MP12	XAFD48F	1.00	1.02	0.95
TM9E120D20MP12	XAHD48F	0.97	0.97	0.96
TM9V080C16MP12C	CF/CM/CU48C	1.00	1.01	1.04
TM9V080C16MP12C	CF/CM/CU48D	1.00	1.01	1.04
TM9V080C16MP12C	XAF/XAUC48F	0.99	1.01	0.98
TM9V080C16MP12C	XAFD48F	0.99	1.01	0.98
TM9V100C16MP12C	CF/CM/CU48C	0.99	0.99	0.99
TM9V100C16MP12C	CF/CM/CU48D	0.99	0.99	0.99
TM9V100C16MP12C	XAF/XAUC48F	0.99	1.01	0.95
TM9V100C16MP12C	XAF/XAUD60G	1.01	1.01	1.03
TM9V100C16MP12C	XAFD48F	0.99	1.01	0.95
TM9V100C16MP12C	XAHC48F	0.98	0.98	0.97
TM9V100C16MP12C	XAHD48F	0.98	0.98	0.97
TM9V100C20MP12C	CF/CM/CU48C	1.00	1.01	1.00
TM9V100C20MP12C	CF/CM/CU48D	1.00	1.01	1.00
TM9V100C20MP12C	XAF/XAUC48F	0.99	1.00	0.97
TM9V100C20MP12C	XAF/XAUD60G	1.01	1.01	1.02
TM9V100C20MP12C	XAFD48F	0.99	1.00	0.96
TM9V100C20MP12C	XAHD48F	0.97	0.97	0.96
TM9V120D20MP12C	CF/CM/CU48D	1.00	1.00	1.00
TM9V120D20MP12C	XAF/XAUD60G	1.02	1.02	1.02
TM9V120D20MP12C	XAFD48F	0.99	1.01	0.95
TM9V120D20MP12C	XAHD48F	0.97	0.97	0.96
TM9V120D20MP12C	XAHD60G	1.00	1.01	1.03
TM9Y080C16MP11	CF/CM/CU48C	0.99	0.98	0.99
TM9Y080C16MP11	CF/CM/CU48D	0.99	0.98	0.99
TM9Y080C16MP11	XAF/XAUC48F	0.99	1.01	0.97
TM9Y080C16MP11	XAFD48F	1.00	1.02	0.97
TM9Y100C16MP11	CF/CM/CU48C	0.99	0.99	0.99
TM9Y100C16MP11	CF/CM/CU48D	0.99	0.99	0.99
TM9Y100C16MP11	XAF/XAUC48F	1.00	1.02	0.97
TM9Y100C16MP11	XAFD48F	1.00	1.02	0.97
TM9Y100C20MP11	CF/CM/CU48C	0.99	0.99	0.99
TM9Y100C20MP11	CF/CM/CU48D	1.00	1.00	1.00
TM9Y100C20MP11	XAF/XAUC48F	1.00	1.02	0.95
TM9Y100C20MP11	XAF/XAUD60G	1.02	1.03	1.02
TM9Y100C20MP11	XAFD48F	1.00	1.02	0.95
TM9Y100C20MP11	XAHD48F	0.98	0.98	0.98
TM9Y120D20MP11	CF/CM/CU48D	1.00	1.02	1.00
TM9Y120D20MP11	XAF/XAUD60G	1.01	1.01	1.01
TM9Y120D20MP11	XAFD48F	1.00	1.02	0.95
TM9Y120D20MP11	XAHD48F	0.97	0.97	0.96

FURNACE MULTIPLIERS - 3.5 TON (Continued)

Furnaces	Coil	T.C.	S.C.	KW
TMLE080C16MP11	XAF/XAUC48F	1.00	1.02	0.96
TMLE080C16MP11	XAF/XAUD60G	1.02	1.02	1.03
TMLE080C16MP11	XAFD48F	0.99	1.01	0.96
TMLE080C16MP11	XAHD48F	0.97	0.98	0.96
TMLE080C20MP11	XAF/XAUC48F	1.00	1.02	0.95
TMLE080C20MP11	XAF/XAUD60G	1.02	1.03	1.01
TMLE080C20MP11	XAFD48F	1.00	1.02	0.95
TMLE080C20MP11	XAHC48F	0.97	0.97	0.97
TMLE080C20MP11	XAHD48F	0.97	0.98	0.97
TMLE100C16MP11	XAF/XAUC48F	0.99	1.01	0.96
TMLE100C16MP11	XAF/XAUD60G	1.02	1.02	1.02
TMLE100C16MP11	XAFD48F	0.99	1.01	0.95
TMLE100C16MP11	XAHD48F	0.97	0.97	0.96
TMLE100C20MP11	XAF/XAUC48F	1.00	1.02	0.95
TMLE100C20MP11	XAF/XAUD60G	1.02	1.03	1.01
TMLE100C20MP11	XAFD48F	1.00	1.02	0.95
TMLE100C20MP11	XAHC48F	0.97	0.97	0.96
TMLE100C20MP11	XAHD48F	0.97	0.97	0.96
TMLE120C16MP11	XAF/XAUC48F	0.99	1.01	0.96
TMLE120C16MP11	XAF/XAUD60G	1.02	1.02	1.02
TMLE120C16MP11	XAFD48F	0.99	1.01	0.95
TMLE120C16MP11	XAHD48F	0.98	0.99	0.96
TMLE120C20MP11	XAF/XAUC48F	1.00	1.02	0.95
TMLE120C20MP11	XAF/XAUD60G	1.01	1.00	1.02
TMLE120C20MP11	XAFD48F	0.99	1.01	0.94
TMLE120C20MP11	XAHC48F	0.98	0.98	0.95
TMLE120C20MP11	XAHD48F	0.97	0.97	0.97
TMLE120C20MP11	XAHD60G	1.01	1.01	1.02
TMLE130D20MP11	XAF/XAUD60G	1.02	1.02	1.01
TMLE130D20MP11	XAFD48F	0.99	1.01	0.95
TMLE130D20MP11	XAHD48F	0.97	0.97	0.96
TMLV080C16MP12C	CF/CM/CU48C	0.99	0.97	0.99
TMLV080C16MP12C	CF/CM/CU48D	0.99	0.97	0.99
TMLV100C16MP12C	CF/CM/CU48C	0.99	0.97	0.99
TMLV100C16MP12C	CF/CM/CU48D	0.99	0.97	0.99
TMLV100C16MP12C	XAF/XAUC48F	0.98	1.00	0.97
TMLV100C16MP12C	XAF/XAUD60G	1.02	1.02	1.03
TMLV100C16MP12C	XAFD48F	1.00	1.02	0.95
TMLV100C16MP12C	XAHD48F	0.97	0.97	0.96
TMLV100C20MP12C	CF/CM/CU48C	0.99	0.97	0.99
TMLV100C20MP12C	CF/CM/CU48D	1.00	0.99	1.00
TMLV120C20MP12C	CF/CM/CU48C	0.99	0.97	0.99
TMLV120C20MP12C	CF/CM/CU48D	1.00	0.99	1.00
TMLV120C20MP12C	XAF/XAUC48F	0.99	1.01	0.95
TMLV120C20MP12C	XAF/XAUD60G	1.01	1.00	1.01
TMLV120C20MP12C	XAFD48F	1.00	1.02	0.95
TMLV120C20MP12C	XAHC48F	0.97	0.98	0.97
TMLV120C20MP12C	XAHD48F	0.97	0.97	0.96
TMLV120C20MP12C	XAHD60G	1.00	1.01	1.02
TMLX080C16MP11	CF/CM/CU48C	0.99	0.97	0.99
TMLX080C16MP11	CF/CM/CU48D	0.99	0.97	0.99
TMLX100C16MP11	CF/CM/CU48C	0.99	0.97	0.99
TMLX100C16MP11	CF/CM/CU48D	0.99	0.97	0.99
TMLX100C20MP11	CF/CM/CU48C	1.00	1.01	1.00
TMLX100C20MP11	CF/CM/CU48D	1.00	1.03	1.00
TMLX120C20MP11	CF/CM/CU48C	1.00	1.01	1.00

FURNACE MULTIPLIERS - 3.5 TON (Continued)

Furnaces	Coil	T.C.	S.C.	KW
TMLX120C20MP11	CF/CM/CU48D	1.00	1.03	1.00
TP9C080C16MP13C	CF/CM/CU48C	1.00	1.01	1.04
TP9C080C16MP13C	CF/CM/CU48D	1.00	1.01	1.04
TP9C080C16MP13C	XAF/XAUC48F	0.99	1.01	0.98
TP9C080C16MP13C	XAFD48F	0.99	1.01	0.98
TP9C100C16MP13C	CF/CM/CU48C	0.99	0.99	0.99
TP9C100C16MP13C	CF/CM/CU48D	0.99	0.99	0.99
TP9C100C16MP13C	XAF/XAUC48F	0.99	1.01	0.95
TP9C100C16MP13C	XAF/XAUD60G	1.01	1.01	1.03
TP9C100C16MP13C	XAFD48F	0.99	1.01	0.95
TP9C100C16MP13C	XAHC48F	0.98	0.98	0.97
TP9C100C16MP13C	XAHD48F	0.98	0.98	0.97
TP9C100C20MP13C	CF/CM/CU48C	1.00	1.01	1.00
TP9C100C20MP13C	CF/CM/CU48D	1.00	1.01	1.00
TP9C100C20MP13C	XAF/XAUC48F	0.99	1.00	0.97
TP9C100C20MP13C	XAF/XAUD60G	1.01	1.01	1.02
TP9C100C20MP13C	XAFD48F	0.99	1.00	0.96
TP9C100C20MP13C	XAHD48F	0.97	0.97	0.96
TP9C120D20MP13C	XAF/XAUD60G	1.02	1.02	1.02
TP9C120D20MP13C	XAFD48F	0.99	1.01	0.95
TP9C120D20MP13C	XAHD48F	0.97	0.97	0.96
TP9C120D20MP13C	XAHD60G	1.00	1.01	1.03
TPLC080C16MP13C	CF/CM/CU48C	0.99	0.97	0.99
TPLC080C16MP13C	CF/CM/CU48D	0.99	0.97	0.99
TPLC080C16MP13C	XAF/XAUC48F	0.98	1.00	0.97
TPLC080C16MP13C	XAF/XAUD60G	1.02	1.02	1.03
TPLC080C16MP13C	XAFD48F	1.00	1.02	0.95
TPLC080C16MP13C	XAHD48F	0.97	0.97	0.96
TPLC100C16MP13C	CF/CM/CU48C	0.99	0.97	0.99
TPLC100C16MP13C	CF/CM/CU48D	0.99	0.97	0.99
TPLC100C16MP13C	XAF/XAUC48F	0.98	1.00	0.97
TPLC100C16MP13C	XAF/XAUD60G	1.02	1.02	1.03
TPLC100C16MP13C	XAFD48F	1.00	1.02	0.95
TPLC100C16MP13C	XAHD48F	0.97	0.97	0.96
TPLC100C20MP13C	CF/CM/CU48C	0.99	0.97	0.99
TPLC100C20MP13C	CF/CM/CU48D	1.00	0.99	1.00
TPLC100C20MP13C	XAF/XAUC48F	0.99	1.01	0.95
TPLC100C20MP13C	XAF/XAUD60G	1.01	1.00	1.01
TPLC100C20MP13C	XAFD48F	1.00	1.02	0.95
TPLC100C20MP13C	XAHC48F	0.97	0.98	0.97
TPLC100C20MP13C	XAHD48F	0.97	0.97	0.96
TPLC100C20MP13C	XAHD60G	1.00	1.01	1.02
TPLC120C20MP13C	CF/CM/CU48C	0.99	0.97	0.99
TPLC120C20MP13C	CF/CM/CU48D	1.00	0.99	1.00
TPLC120C20MP13C	XAF/XAUC48F	0.99	1.01	0.95
TPLC120C20MP13C	XAF/XAUD60G	1.01	1.00	1.01
TPLC120C20MP13C	XAFD48F	1.00	1.02	0.95
TPLC120C20MP13C	XAHC48F	0.97	0.98	0.97
TPLC120C20MP13C	XAHD48F	0.97	0.97	0.96
TPLC120C20MP13C	XAHD60G	1.00	1.01	1.02
YP9C080C16MP13C	CF/CM/CU48C	1.00	1.01	1.04
YP9C080C16MP13C	CF/CM/CU48D	1.00	1.01	1.04
YP9C080C16MP13C	XAF/XAUC48F	0.99	1.01	0.98
YP9C080C16MP13C	XAFD48F	0.99	1.01	0.98
YP9C100C16MP13C	CF/CM/CU48C	0.99	0.99	0.99
YP9C100C16MP13C	CF/CM/CU48D	0.99	0.99	0.99

FURNACE MULTIPLIERS - 3.5 TON (Continued)

Furnaces	Coil	T.C.	S.C.	KW
YP9C100C16MP13C	XAF/XAUC48F	0.99	1.01	0.95
YP9C100C16MP13C	XAF/XAUD60G	1.01	1.01	1.03
YP9C100C16MP13C	XAFD48F	0.99	1.01	0.95
YP9C100C16MP13C	XAHC48F	0.98	0.98	0.97
YP9C100C16MP13C	XAHD48F	0.98	0.98	0.97
YP9C100C20MP13C	CF/CM/CU48C	1.00	1.01	1.00
YP9C100C20MP13C	CF/CM/CU48D	1.00	1.01	1.00
YP9C100C20MP13C	XAF/XAUC48F	0.99	1.00	0.97
YP9C100C20MP13C	XAF/XAUD60G	1.01	1.01	1.02
YP9C100C20MP13C	XAFD48F	0.99	1.00	0.96
YP9C100C20MP13C	XAHD48F	0.97	0.97	0.96
YP9C120D20MP13C	XAF/XAUD60G	1.02	1.02	1.02
YP9C120D20MP13C	XAFD48F	0.99	1.01	0.95
YP9C120D20MP13C	XAHD48F	0.97	0.97	0.96
YP9C120D20MP13C	XAHD60G	1.00	1.01	1.03
YPLC080C16MP13C	CF/CM/CU48C	0.99	0.97	0.99
YPLC080C16MP13C	CF/CM/CU48D	0.99	0.97	0.99
YPLC080C16MP13C	XAF/XAUC48F	0.98	1.00	0.97
YPLC080C16MP13C	XAF/XAUD60G	1.02	1.02	1.03
YPLC080C16MP13C	XAFD48F	1.00	1.02	0.95
YPLC080C16MP13C	XAHD48F	0.97	0.97	0.96
YPLC100C16MP13C	CF/CM/CU48C	0.99	0.97	0.99
YPLC100C16MP13C	CF/CM/CU48D	0.99	0.97	0.99
YPLC100C16MP13C	XAF/XAUC48F	0.98	1.00	0.97
YPLC100C16MP13C	XAF/XAUD60G	1.02	1.02	1.03
YPLC100C16MP13C	XAFD48F	1.00	1.02	0.95
YPLC100C16MP13C	XAHD48F	0.97	0.97	0.96
YPLC100C20MP13C	CF/CM/CU48C	0.99	0.97	0.99
YPLC100C20MP13C	CF/CM/CU48D	1.00	0.99	1.00
YPLC100C20MP13C	XAF/XAUC48F	0.99	1.01	0.95
YPLC100C20MP13C	XAF/XAUD60G	1.01	1.00	1.01
YPLC100C20MP13C	XAFD48F	1.00	1.02	0.95
YPLC100C20MP13C	XAHC48F	0.97	0.98	0.97
YPLC100C20MP13C	XAHD48F	0.97	0.97	0.96
YPLC100C20MP13C	XAHD60G	1.00	1.01	1.02
YPLC120C20MP13C	CF/CM/CU48C	0.99	0.97	0.99
YPLC120C20MP13C	CF/CM/CU48D	1.00	0.99	1.00
YPLC120C20MP13C	XAF/XAUC48F	0.99	1.01	0.95
YPLC120C20MP13C	XAF/XAUD60G	1.01	1.00	1.01
YPLC120C20MP13C	XAFD48F	1.00	1.02	0.95
YPLC120C20MP13C	XAHC48F	0.97	0.98	0.97
YPLC120C20MP13C	XAHD48F	0.97	0.97	0.96
YPLC120C20MP13C	XAHD60G	1.00	1.01	1.02

HEATING PERFORMANCE DATA										
CONDENSING UNIT MODEL NO		THE42B(3,4)3S								
AIR TEMP. ENTERING OUTDOOR UNIT (°F)	AIR TEMP. ENTERING INDOOR COIL (°F)	ID CFM								
		1150			1400			1650		
		MBH	COP	KW	MBH	COP	KW	MBH	COP	KW
60	60	46.0	3.77	3.57	45.0	3.79	3.48	44.0	3.80	3.39
	70	46.1	3.44	3.96	45.3	3.47	3.85	44.5	3.51	3.75
	80	46.2	3.11	4.35	45.6	3.16	4.23	45.0	3.21	4.10
47	60	41.0	3.65	3.30	40.5	3.65	3.25	40.0	3.65	3.21
	70	40.7	3.32	3.63	40.4	3.34	3.57	40.1	3.37	3.52
	80	40.4	2.99	3.95	40.4	3.04	3.90	40.3	3.08	3.84
40	60	36.9	3.47	3.12	37.1	3.50	3.10	37.2	3.53	3.09
	70	36.4	3.14	3.43	36.7	3.19	3.41	37.0	3.23	3.38
	80	35.9	2.81	3.75	36.3	2.87	3.71	36.7	2.93	3.67
30	60	33.2	3.29	2.96	33.2	3.27	2.98	33.2	3.25	2.99
	70	31.2	2.90	3.19	31.8	2.93	3.21	32.4	2.96	3.23
	80	29.3	2.51	3.42	30.5	2.59	3.44	31.7	2.68	3.47
17	60	25.8	2.79	2.70	26.5	2.84	2.74	27.3	2.88	2.77
	70	24.9	2.51	2.93	25.7	2.56	2.96	26.5	2.61	2.99
	80	24.1	2.23	3.16	24.9	2.29	3.18	25.7	2.35	3.21
10	60	23.0	2.59	2.60	23.3	2.59	2.64	23.66	2.58	2.69
	70	22.1	2.31	2.83	22.6	2.33	2.86	23.0	2.35	2.90
	80	21.2	2.03	3.06	21.8	2.07	3.09	22.4	2.11	3.11

NOTE: ALL CAPACITIES INCLUDE INDOOR FAN HEAT. KW VALUES ARE FOR THE SYSTEM (OUTDOOR + INDOOR).

Yellow shaded cells are AHRI High Heating conditions.

Orange shaded cells are AHRI Low Heating conditions.

Multipliers for determining the performance with other indoor sections.

COIL MULTIPLIERS - 3.5 TON

Air Handler	Coil	MBH	COP	KW
—	CF/CM/CU48C	1.01	0.98	1.03
—	CF/CM/CU48D	1.01	0.98	1.03
AE42CX21	—	1.00	0.99	1.01
AE48CBC21	—	1.00	1.02	0.98
AE48CX21	—	1.00	1.02	0.98
AE48DBC21	—	0.99	1.04	0.95
AE48DX21	—	0.99	1.04	0.95
AP48CBC21	—	1.01	0.99	1.02
AP48CX21	—	1.01	0.99	1.02
AP48DX21	—	1.01	0.99	1.02
AVC42CX21	—	1.00	0.99	1.01
AVC48CX21	—	1.00	1.00	1.00
AVC48DX21	—	1.00	1.00	1.00
ME14DN21	CF/CM48D	1.00	1.01	0.99
ME14DN21	XAF/XAUD60G	1.03	1.11	0.93
ME14DN21	XAFD48F	0.97	1.12	0.87
ME14DN21	XAHD48F	0.93	1.07	0.87
ME14DN21	XAHD60G	1.00	1.09	0.92
ME16CN21	CF/CM48C	1.00	1.01	0.99
ME16CN21	XAF/XAUC48F	0.99	1.12	0.88
ME16CN21	XAHC48F	0.97	1.08	0.90
ME20DN21	CF/CM48D	0.99	1.02	0.96
ME20DN21	XAF/XAUD60G	1.02	1.12	0.91
ME20DN21	XAFD48F	0.99	1.16	0.86
ME20DN21	XAHD48F	0.95	1.11	0.86
ME20DN21	XAHD60G	1.00	1.10	0.91
MVC14DN21	CF/CM48D	1.00	1.01	0.99
MVC14DN21	XAF/XAUD60G	1.02	1.13	0.90
MVC14DN21	XAFD48F	0.99	1.16	0.86
MVC14DN21	XAHD48F	0.95	1.11	0.86
MVC14DN21	XAHD60G	1.00	1.11	0.90
MVC16CN21	CF/CM48C	1.00	0.99	1.01
MVC16CN21	XAF/XAUC48F	0.99	1.15	0.86
MVC16CN21	XAHC48F	0.93	1.07	0.87
MVC20DN21	CF/CM48D	1.00	1.01	0.99
MVC20DN21	XAF/XAUD60G	1.01	1.12	0.91
MVC20DN21	XAFD48F	0.97	1.14	0.85
MVC20DN21	XAHD48F	0.97	1.12	0.86
MVC20DN21	XAHD60G	1.01	1.12	0.90

FURNACE MULTIPLIERS - 3.5 TON

Furnaces	Coil	MBH	COP	KW
TL8E080C16UH11	XAF/XAUC48F	1.00	1.10	0.91
TL8E080C16UH11	XAF/XAUD60G	1.02	1.08	0.95
TL8E080C16UH11	XAFD48F	1.00	1.11	0.90
TL8E080C16UH11	XAHD48F	0.95	1.05	0.90
TL8E100C20UH11	XAF/XAUC48F	0.97	1.12	0.87
TL8E100C20UH11	XAF/XAUD60G	1.03	1.10	0.94
TL8E100C20UH11	XAFD48F	0.97	1.12	0.87
TL8E100C20UH11	XAHC48F	0.95	1.07	0.89
TL8E100C20UH11	XAHD48F	0.95	1.08	0.88
TL9E080C16UH11	XAF/XAUC48F	1.00	1.10	0.91
TL9E080C16UH11	XAFD48F	1.00	1.10	0.91
TL9E100C20UH11	XAF/XAUC48F	0.97	1.10	0.88
TL9E100C20UH11	XAF/XAUD60G	1.01	1.07	0.94
TL9E100C20UH11	XAFD48F	0.97	1.11	0.88
TL9E100C20UH11	XAHC48F	0.95	1.07	0.89
TL9E100C20UH11	XAHD48F	0.95	1.07	0.89
TM8E080C16MP11	XAF/XAUC48F	0.99	1.10	0.89
TM8E080C16MP11	XAF/XAUD60G	1.01	1.08	0.94
TM8E080C16MP11	XAFD48F	0.99	1.11	0.89
TM8E080C16MP11	XAHD48F	0.95	1.06	0.89
TM8E080C20MP11	XAF/XAUC48F	0.97	1.12	0.87
TM8E080C20MP11	XAF/XAUD60G	1.01	1.08	0.93
TM8E080C20MP11	XAFD48F	0.97	1.12	0.87
TM8E080C20MP11	XAHC48F	0.96	1.07	0.90
TM8E080C20MP11	XAHD48F	0.97	1.08	0.89
TM8E100C16MP11	XAF/XAUC48F	0.99	1.11	0.89
TM8E100C16MP11	XAF/XAUD60G	1.02	1.08	0.95
TM8E100C16MP11	XAFD48F	0.99	1.11	0.89
TM8E100C16MP11	XAHD48F	0.95	1.06	0.90
TM8E100C20MP11	XAF/XAUC48F	0.97	1.12	0.87
TM8E100C20MP11	XAF/XAUD60G	1.01	1.08	0.93
TM8E100C20MP11	XAFD48F	0.97	1.12	0.87
TM8E100C20MP11	XAHC48F	0.96	1.07	0.90
TM8E100C20MP11	XAHD48F	0.97	1.08	0.89
TM8E120C16MP11	XAF/XAUC48F	0.99	1.11	0.89
TM8E120C16MP11	XAF/XAUD60G	1.02	1.08	0.95
TM8E120C16MP11	XAFD48F	0.99	1.11	0.89
TM8E120C16MP11	XAHD48F	0.95	1.06	0.89
TM8E120C20MP11	XAF/XAUC48F	0.99	1.11	0.88
TM8E120C20MP11	XAF/XAUD60G	1.03	1.10	0.94
TM8E120C20MP11	XAFD48F	0.99	1.12	0.88
TM8E120C20MP11	XAHC48F	0.94	1.06	0.88
TM8E120C20MP11	XAHD48F	0.97	1.08	0.89
TM8E120C20MP11	XAHD60G	0.99	1.07	0.92
TM8E130D20MP11	XAF/XAUD60G	1.01	1.08	0.93
TM8E130D20MP11	XAFD48F	0.99	1.13	0.88
TM8E130D20MP11	XAHD48F	0.95	1.08	0.88
TM8V080C16MP12C	CF/CM/CU48C	1.00	0.98	1.02
TM8V080C16MP12C	CF/CM/CU48D	1.00	0.98	1.02
TM8V080C16MP12C	XAF/XAUC48F	1.00	1.11	0.90
TM8V080C16MP12C	XAF/XAUD60G	1.01	1.07	0.94
TM8V080C16MP12C	XAFD48F	1.00	1.11	0.90
TM8V080C16MP12C	XAHD48F	0.95	1.06	0.90

FURNACE MULTIPLIERS - 3.5 TON (Continued)

Furnaces	Coil	MBH	COP	KW
TM8V100C16MP12C	CF/CM/CU48C	1.00	0.98	1.02
TM8V100C16MP12C	CF/CM/CU48D	1.00	0.98	1.02
TM8V100C16MP12C	XAF/XAUC48F	1.00	1.11	0.90
TM8V100C16MP12C	XAF/XAUD60G	1.01	1.07	0.94
TM8V100C16MP12C	XAFD48F	0.97	1.10	0.88
TM8V100C16MP12C	XAHD48F	0.95	1.06	0.90
TM8V100C20MP12C	CF/CM/CU48C	1.00	0.99	1.01
TM8V100C20MP12C	CF/CM/CU48D	1.00	0.99	1.01
TM8V100C20MP12C	XAF/XAUC48F	0.99	1.12	0.88
TM8V100C20MP12C	XAF/XAUD60G	1.03	1.09	0.94
TM8V100C20MP12C	XAFD48F	0.99	1.13	0.88
TM8V100C20MP12C	XAHC48F	0.95	1.07	0.89
TM8V100C20MP12C	XAHD48F	0.95	1.08	0.88
TM8V100C20MP12C	XAHD60G	1.00	1.08	0.92
TM8V120C20MP12C	CF/CM/CU48C	1.00	0.99	1.01
TM8V120C20MP12C	CF/CM/CU48D	1.00	0.99	1.01
TM8V120C20MP12C	XAF/XAUC48F	0.99	1.12	0.88
TM8V120C20MP12C	XAF/XAUD60G	1.03	1.09	0.94
TM8V120C20MP12C	XAFD48F	0.99	1.12	0.88
TM8V120C20MP12C	XAHC48F	0.95	1.07	0.89
TM8V120C20MP12C	XAHD48F	0.95	1.08	0.88
TM8V120C20MP12C	XAHD60G	1.00	1.08	0.92
TM8X080C16MP11	CF/CM/CU48C	1.00	0.98	1.02
TM8X080C16MP11	CF/CM/CU48D	1.00	0.98	1.02
TM8X100C16MP11	CF/CM/CU48C	1.00	0.98	1.02
TM8X100C16MP11	CF/CM/CU48D	1.00	0.98	1.02
TM8X100C20MP11	CF/CM/CU48C	1.00	1.00	1.00
TM8X100C20MP11	CF/CM/CU48D	1.00	1.01	0.99
TM8X120C20MP11	CF/CM/CU48C	1.00	1.00	1.00
TM8X120C20MP11	CF/CM/CU48D	1.00	1.01	0.99
TM8Y080C16MP11	CF/CM/CU48C	1.00	0.98	1.02
TM8Y080C16MP11	CF/CM/CU48D	1.00	0.98	1.02
TM8Y080C16MP11	XAF/XAUC48F	0.97	1.11	0.88
TM8Y080C16MP11	XAF/XAUD60G	1.01	1.07	0.94
TM8Y080C16MP11	XAFD48F	0.97	1.11	0.88
TM8Y080C16MP11	XAHD48F	0.95	1.07	0.89
TM8Y100C16MP11	CF/CM/CU48C	1.00	0.98	1.02
TM8Y100C16MP11	CF/CM/CU48D	1.00	0.98	1.02
TM8Y100C16MP11	XAF/XAUC48F	0.97	1.11	0.88
TM8Y100C16MP11	XAF/XAUD60G	1.01	1.07	0.94
TM8Y100C16MP11	XAFD48F	0.97	1.11	0.88
TM8Y100C16MP11	XAHD48F	0.95	1.07	0.89
TM8Y100C20MP11	CF/CM/CU48C	1.00	1.00	1.00
TM8Y100C20MP11	CF/CM/CU48D	1.00	1.01	0.99
TM8Y100C20MP11	XAF/XAUC48F	0.97	1.11	0.88
TM8Y100C20MP11	XAF/XAUD60G	1.03	1.09	0.94
TM8Y100C20MP11	XAFD48F	0.99	1.12	0.88
TM8Y100C20MP11	XAHC48F	0.95	1.06	0.89
TM8Y100C20MP11	XAHD48F	0.95	1.07	0.89
TM8Y100C20MP11	XAHD60G	1.00	1.08	0.93
TM8Y120C20MP11	CF/CM/CU48C	1.00	1.00	1.00
TM8Y120C20MP11	CF/CM/CU48D	1.00	1.01	0.99
TM8Y120C20MP11	XAF/XAUC48F	0.97	1.11	0.88
TM8Y120C20MP11	XAF/XAUD60G	1.03	1.09	0.94
TM8Y120C20MP11	XAFD48F	0.99	1.12	0.88

FURNACE MULTIPLIERS - 3.5 TON (Continued)

Furnaces	Coil	MBH	COP	KW
TM8Y120C20MP11	XAHC48F	0.95	1.06	0.89
TM8Y120C20MP11	XAHD48F	0.95	1.07	0.89
TM8Y120C20MP11	XAHD60G	1.00	1.08	0.93
TM9E080C16MP11	CF/CM/CU48C	1.00	0.98	1.02
TM9E080C16MP11	CF/CM/CU48D	1.00	0.98	1.02
TM9E080C16MP12	XAF/XAUC48F	0.99	1.10	0.90
TM9E080C16MP12	XAFD48F	0.99	1.10	0.90
TM9E080C20MP12	XAF/XAUC48F	0.97	1.11	0.88
TM9E080C20MP12	XAF/XAUD60G	1.01	1.08	0.94
TM9E080C20MP12	XAFD48F	0.97	1.12	0.87
TM9E080C20MP12	XAHC48F	0.95	1.07	0.89
TM9E080C20MP12	XAHD48F	0.95	1.07	0.89
TM9E100C16MP11	CF/CM/CU48C	1.00	0.98	1.02
TM9E100C16MP11	CF/CM/CU48D	1.00	0.98	1.02
TM9E100C16MP12	XAF/XAUC48F	0.99	1.10	0.90
TM9E100C16MP12	XAFD48F	0.99	1.10	0.89
TM9E100C20MP11	CF/CM/CU48C	1.00	0.98	1.02
TM9E100C20MP11	CF/CM/CU48D	1.00	0.99	1.01
TM9E100C20MP12	XAF/XAUC48F	0.97	1.10	0.88
TM9E100C20MP12	XAF/XAUD60G	1.01	1.08	0.93
TM9E100C20MP12	XAFD48F	0.97	1.11	0.88
TM9E100C20MP12	XAHC48F	0.95	1.07	0.89
TM9E100C20MP12	XAHD48F	0.95	1.08	0.88
TM9E120D20MP11	CF/CM/CU48D	1.00	1.01	0.99
TM9E120D20MP12	XAF/XAUD60G	1.01	1.08	0.94
TM9E120D20MP12	XAFD48F	0.97	1.11	0.88
TM9E120D20MP12	XAHD48F	0.97	1.07	0.90
TM9V080C16MP12C	CF/CM/CU48C	1.01	0.98	1.03
TM9V080C16MP12C	CF/CM/CU48D	1.00	0.99	1.01
TM9V080C16MP12C	XAF/XAUC48F	0.99	1.10	0.90
TM9V080C16MP12C	XAFD48F	0.99	1.10	0.90
TM9V100C16MP12C	CF/CM/CU48C	1.00	0.99	1.01
TM9V100C16MP12C	CF/CM/CU48D	1.00	0.99	1.01
TM9V100C16MP12C	XAF/XAUC48F	0.97	1.10	0.88
TM9V100C16MP12C	XAF/XAUD60G	1.01	1.09	0.93
TM9V100C16MP12C	XAFD48F	0.97	1.11	0.87
TM9V100C16MP12C	XAHC48F	0.94	1.05	0.89
TM9V100C16MP12C	XAHD48F	0.95	1.07	0.89
TM9V100C20MP12C	CF/CM/CU48C	1.00	0.99	1.01
TM9V100C20MP12C	CF/CM/CU48D	1.00	0.99	1.01
TM9V100C20MP12C	XAF/XAUC48F	0.99	1.11	0.89
TM9V100C20MP12C	XAF/XAUD60G	1.01	1.08	0.94
TM9V100C20MP12C	XAFD48F	0.99	1.12	0.88
TM9V100C20MP12C	XAHD48F	0.95	1.07	0.89
TM9V120D20MP12C	CF/CM/CU48D	1.00	1.00	1.00
TM9V120D20MP12C	XAF/XAUD60G	1.01	1.09	0.93
TM9V120D20MP12C	XAFD48F	0.99	1.12	0.88
TM9V120D20MP12C	XAHD48F	0.95	1.09	0.88
TM9V120D20MP12C	XAHD60G	1.00	1.08	0.93
TM9Y080C16MP11	CF/CM/CU48C	1.00	0.98	1.02
TM9Y080C16MP11	CF/CM/CU48D	1.00	0.98	1.02
TM9Y080C16MP11	XAF/XAUC48F	0.98	1.09	0.90
TM9Y080C16MP11	XAFD48F	0.99	1.10	0.90
TM9Y100C16MP11	CF/CM/CU48C	1.00	0.98	1.02
TM9Y100C16MP11	CF/CM/CU48D	1.00	0.98	1.02

FURNACE MULTIPLIERS - 3.5 TON (Continued)

Furnaces	Coil	MBH	COP	KW
TM9Y100C16MP11	XAF/XAUC48F	0.99	1.10	0.90
TM9Y100C16MP11	XAFD48F	0.99	1.10	0.90
TM9Y100C20MP11	CF/CM/CU48C	1.00	0.98	1.02
TM9Y100C20MP11	CF/CM/CU48D	1.00	0.99	1.01
TM9Y100C20MP11	XAF/XAUC48F	0.97	1.10	0.88
TM9Y100C20MP11	XAF/XAUD60G	1.01	1.07	0.94
TM9Y100C20MP11	XAFD48F	0.97	1.10	0.88
TM9Y100C20MP11	XAHD48F	0.95	1.06	0.90
TM9Y120D20MP11	CF/CM/CU48D	1.00	1.01	0.99
TM9Y120D20MP11	XAF/XAUD60G	1.01	1.08	0.94
TM9Y120D20MP11	XAFD48F	0.97	1.12	0.87
TM9Y120D20MP11	XAHD48F	0.95	1.07	0.89
TMLE080C16MP11	XAF/XAUC48F	0.99	1.10	0.89
TMLE080C16MP11	XAF/XAUD60G	1.01	1.08	0.94
TMLE080C16MP11	XAFD48F	0.99	1.11	0.89
TMLE080C16MP11	XAHD48F	0.95	1.06	0.89
TMLE080C20MP11	XAF/XAUC48F	0.97	1.12	0.87
TMLE080C20MP11	XAF/XAUD60G	1.01	1.08	0.93
TMLE080C20MP11	XAFD48F	0.97	1.12	0.87
TMLE080C20MP11	XAHC48F	0.96	1.07	0.90
TMLE080C20MP11	XAHD48F	0.97	1.08	0.89
TMLE100C16MP11	XAF/XAUC48F	0.99	1.11	0.89
TMLE100C16MP11	XAF/XAUD60G	1.02	1.08	0.95
TMLE100C16MP11	XAFD48F	0.99	1.11	0.89
TMLE100C16MP11	XAHD48F	0.95	1.06	0.90
TMLE100C20MP11	XAF/XAUC48F	0.97	1.12	0.87
TMLE100C20MP11	XAF/XAUD60G	1.01	1.08	0.93
TMLE100C20MP11	XAFD48F	0.97	1.12	0.87
TMLE100C20MP11	XAHC48F	0.96	1.07	0.90
TMLE100C20MP11	XAHD48F	0.97	1.08	0.89
TMLE120C16MP11	XAF/XAUC48F	0.99	1.11	0.89
TMLE120C16MP11	XAF/XAUD60G	1.02	1.08	0.95
TMLE120C16MP11	XAFD48F	0.99	1.11	0.89
TMLE120C16MP11	XAHD48F	0.95	1.06	0.89
TMLE120C20MP11	XAF/XAUC48F	0.99	1.11	0.88
TMLE120C20MP11	XAF/XAUD60G	1.03	1.10	0.94
TMLE120C20MP11	XAFD48F	0.99	1.12	0.88
TMLE120C20MP11	XAHC48F	0.94	1.06	0.88
TMLE120C20MP11	XAHD48F	0.97	1.08	0.89
TMLE120C20MP11	XAHD60G	0.99	1.07	0.92
TMLE130D20MP11	XAF/XAUD60G	1.01	1.08	0.93
TMLE130D20MP11	XAFD48F	0.99	1.13	0.88
TMLE130D20MP11	XAHD48F	0.95	1.08	0.88
TMLV080C16MP12C	CF/CM/CU48C	1.00	0.98	1.02
TMLV080C16MP12C	CF/CM/CU48D	1.00	0.98	1.02
TMLV100C16MP12C	CF/CM/CU48C	1.00	0.98	1.02
TMLV100C16MP12C	CF/CM/CU48D	1.00	0.98	1.02
TMLV100C16MP12C	XAF/XAUC48F	1.00	1.11	0.90
TMLV100C16MP12C	XAF/XAUD60G	1.01	1.07	0.94
TMLV100C16MP12C	XAFD48F	0.97	1.10	0.88
TMLV100C16MP12C	XAHD48F	0.95	1.06	0.90
TMLV100C20MP12C	CF/CM/CU48C	1.00	0.99	1.01
TMLV100C20MP12C	CF/CM/CU48D	1.00	0.99	1.01
TMLV120C20MP12C	CF/CM/CU48C	1.00	0.99	1.01
TMLV120C20MP12C	CF/CM/CU48D	1.00	0.99	1.01

FURNACE MULTIPLIERS - 3.5 TON (Continued)

Furnaces	Coil	MBH	COP	KW
TMLV120C20MP12C	XAF/XAUC48F	0.99	1.12	0.88
TMLV120C20MP12C	XAF/XAUD60G	1.03	1.09	0.94
TMLV120C20MP12C	XAFD48F	0.99	1.12	0.88
TMLV120C20MP12C	XAHC48F	0.95	1.07	0.89
TMLV120C20MP12C	XAHD48F	0.95	1.08	0.88
TMLV120C20MP12C	XAHD60G	1.00	1.08	0.92
TMLX080C16MP11	CF/CM/CU48C	1.00	0.98	1.02
TMLX080C16MP11	CF/CM/CU48D	1.00	0.98	1.02
TMLX100C16MP11	CF/CM/CU48C	1.00	0.98	1.02
TMLX100C16MP11	CF/CM/CU48D	1.00	0.98	1.02
TMLX100C20MP11	CF/CM/CU48C	1.00	1.00	1.00
TMLX100C20MP11	CF/CM/CU48D	1.00	1.01	0.99
TMLX120C20MP11	CF/CM/CU48C	1.00	1.00	1.00
TMLX120C20MP11	CF/CM/CU48D	1.00	1.01	0.99
TP9C080C16MP13C	CF/CM/CU48C	1.01	0.98	1.03
TP9C080C16MP13C	CF/CM/CU48D	1.00	0.99	1.01
TP9C080C16MP13C	XAF/XAUC48F	0.99	1.10	0.90
TP9C080C16MP13C	XAFD48F	0.99	1.10	0.90
TP9C100C16MP13C	CF/CM/CU48C	1.00	0.99	1.01
TP9C100C16MP13C	CF/CM/CU48D	1.00	0.99	1.01
TP9C100C16MP13C	XAF/XAUC48F	0.97	1.10	0.88
TP9C100C16MP13C	XAF/XAUD60G	1.01	1.09	0.93
TP9C100C16MP13C	XAFD48F	0.97	1.11	0.87
TP9C100C16MP13C	XAHC48F	0.94	1.05	0.89
TP9C100C16MP13C	XAHD48F	0.95	1.07	0.89
TP9C100C20MP13C	CF/CM/CU48C	1.00	0.99	1.01
TP9C100C20MP13C	CF/CM/CU48D	1.00	0.99	1.01
TP9C100C20MP13C	XAF/XAUC48F	0.99	1.11	0.89
TP9C100C20MP13C	XAF/XAUD60G	1.01	1.08	0.94
TP9C100C20MP13C	XAFD48F	0.99	1.12	0.88
TP9C100C20MP13C	XAHD48F	0.95	1.07	0.89
TP9C120D20MP13C	XAF/XAUD60G	1.01	1.09	0.93
TP9C120D20MP13C	XAFD48F	0.99	1.12	0.88
TP9C120D20MP13C	XAHD48F	0.95	1.09	0.88
TP9C120D20MP13C	XAHD60G	1.00	1.08	0.93
TPLC080C16MP13C	CF/CM/CU48C	1.00	0.98	1.02
TPLC080C16MP13C	CF/CM/CU48D	1.00	0.98	1.02
TPLC080C16MP13C	XAF/XAUC48F	1.00	1.11	0.90
TPLC080C16MP13C	XAF/XAUD60G	1.01	1.07	0.94
TPLC080C16MP13C	XAFD48F	0.97	1.10	0.88
TPLC080C16MP13C	XAHD48F	0.95	1.06	0.90
TPLC100C16MP13C	CF/CM/CU48C	1.00	0.98	1.02
TPLC100C16MP13C	CF/CM/CU48D	1.00	0.98	1.02
TPLC100C16MP13C	XAF/XAUC48F	1.00	1.11	0.90
TPLC100C16MP13C	XAF/XAUD60G	1.01	1.07	0.94
TPLC100C16MP13C	XAFD48F	0.97	1.10	0.88
TPLC100C20MP13C	CF/CM/CU48C	1.00	0.99	1.01
TPLC100C20MP13C	CF/CM/CU48D	1.00	0.99	1.01
TPLC100C20MP13C	XAF/XAUC48F	0.99	1.12	0.88
TPLC100C20MP13C	XAF/XAUD60G	1.03	1.09	0.94
TPLC100C20MP13C	XAFD48F	0.99	1.12	0.88
TPLC100C20MP13C	XAHC48F	0.95	1.07	0.89
TPLC100C20MP13C	XAHD48F	0.95	1.08	0.88
TPLC100C20MP13C	XAHD60G	1.00	1.08	0.92

FURNACE MULTIPLIERS - 3.5 TON (Continued)

Furnaces	Coil	MBH	COP	KW
TPLC120C20MP13C	CF/CM/CU48C	1.00	0.99	1.01
TPLC120C20MP13C	CF/CM/CU48D	1.00	0.99	1.01
TPLC120C20MP13C	XAF/XAUC48F	0.99	1.12	0.88
TPLC120C20MP13C	XAF/XAUD60G	1.03	1.09	0.94
TPLC120C20MP13C	XAFD48F	0.99	1.12	0.88
TPLC120C20MP13C	XAHC48F	0.95	1.07	0.89
TPLC120C20MP13C	XAHD48F	0.95	1.08	0.88
TPLC120C20MP13C	XAHD60G	1.00	1.08	0.92
YP9C080C16MP13C	CF/CM/CU48C	1.01	0.98	1.03
YP9C080C16MP13C	CF/CM/CU48D	1.00	0.99	1.01
YP9C080C16MP13C	XAF/XAUC48F	0.99	1.10	0.90
YP9C080C16MP13C	XAFD48F	0.99	1.10	0.90
YP9C100C16MP13C	CF/CM/CU48C	1.00	0.99	1.01
YP9C100C16MP13C	CF/CM/CU48D	1.00	0.99	1.01
YP9C100C16MP13C	XAF/XAUC48F	0.97	1.10	0.88
YP9C100C16MP13C	XAF/XAUD60G	1.01	1.09	0.93
YP9C100C16MP13C	XAFD48F	0.97	1.11	0.87
YP9C100C16MP13C	XAHC48F	0.94	1.05	0.89
YP9C100C16MP13C	XAHD48F	0.95	1.07	0.89
YP9C100C20MP13C	CF/CM/CU48C	1.00	0.99	1.01
YP9C100C20MP13C	CF/CM/CU48D	1.00	0.99	1.01
YP9C100C20MP13C	XAF/XAUC48F	0.99	1.11	0.89
YP9C100C20MP13C	XAF/XAUD60G	1.01	1.08	0.94
YP9C100C20MP13C	XAFD48F	0.99	1.12	0.88
YP9C100C20MP13C	XAHD48F	0.95	1.07	0.89
YP9C120D20MP13C	XAF/XAUD60G	1.01	1.09	0.93
YP9C120D20MP13C	XAFD48F	0.99	1.12	0.88
YP9C120D20MP13C	XAHD48F	0.95	1.09	0.88
YP9C120D20MP13C	XAHD60G	1.00	1.08	0.93
YPLC080C16MP13C	CF/CM/CU48C	1.00	0.98	1.02

FURNACE MULTIPLIERS - 3.5 TON (Continued)

Furnaces	Coil	MBH	COP	KW
YPLC080C16MP13C	CF/CM/CU48D	1.00	0.98	1.02
YPLC080C16MP13C	XAF/XAUC48F	1.00	1.11	0.90
YPLC080C16MP13C	XAF/XAUD60G	1.01	1.07	0.94
YPLC080C16MP13C	XAFD48F	0.97	1.10	0.88
YPLC080C16MP13C	XAHD48F	0.95	1.06	0.90
YPLC100C16MP13C	CF/CM/CU48C	1.00	0.98	1.02
YPLC100C16MP13C	CF/CM/CU48D	1.00	0.98	1.02
YPLC100C16MP13C	XAF/XAUC48F	1.00	1.11	0.90
YPLC100C16MP13C	XAF/XAUD60G	1.01	1.07	0.94
YPLC100C16MP13C	XAFD48F	0.97	1.10	0.88
YPLC100C16MP13C	XAHD48F	0.95	1.06	0.90
YPLC100C20MP13C	CF/CM/CU48C	1.00	0.99	1.01
YPLC100C20MP13C	CF/CM/CU48D	1.00	0.99	1.01
YPLC100C20MP13C	XAF/XAUC48F	0.99	1.12	0.88
YPLC100C20MP13C	XAF/XAUD60G	1.03	1.09	0.94
YPLC100C20MP13C	XAFD48F	0.99	1.12	0.88
YPLC100C20MP13C	XAHC48F	0.95	1.07	0.89
YPLC100C20MP13C	XAHD48F	0.95	1.08	0.88
YPLC100C20MP13C	XAHD60G	1.00	1.08	0.92
YPLC120C20MP13C	CF/CM/CU48C	1.00	0.99	1.01
YPLC120C20MP13C	CF/CM/CU48D	1.00	0.99	1.01
YPLC120C20MP13C	XAF/XAUC48F	0.99	1.12	0.88
YPLC120C20MP13C	XAF/XAUD60G	1.03	1.09	0.94
YPLC120C20MP13C	XAFD48F	0.99	1.12	0.88
YPLC120C20MP13C	XAHC48F	0.95	1.07	0.89
YPLC120C20MP13C	XAHD48F	0.95	1.08	0.88
YPLC120C20MP13C	XAHD60G	1.00	1.08	0.92

PERFORMANCE DATA - 4 TON

CONDENSER-ONLY DATA (OUTDOOR UNIT)																
MODEL	SATURATED SUCTION AT COMPRESSOR		Outdoor Ambient Temperature													
			65 °F		75 °F		85 °F		95 °F		105 °F		115 °F		125 °F	
	T (°F)	P (PSIG)	MBH	KW	MBH	KW	MBH	KW	MBH	KW	MBH	KW	MBH	KW	MBH	KW
THE48B(3,4)1S	35	107	44.4	2.14	41.4	2.33	38.5	2.52	35.5	2.71	32.5	2.90	29.5	3.09	26.5	3.28
	40	119	49.8	2.40	46.5	2.61	43.3	2.83	40.1	3.04	36.9	3.26	33.7	3.47	30.4	3.68
	45	130	55.1	2.66	51.7	2.90	48.2	3.14	44.7	3.38	41.3	3.61	37.8	3.85	34.3	4.09
	50	143	60.5	2.92	56.8	3.18	53.1	3.45	49.3	3.71	45.6	3.97	41.9	4.24	38.2	4.50
	55	156	65.8	3.18	61.9	3.47	57.9	3.76	54.0	4.05	50.0	4.33	46.1	4.62	42.1	4.91

Notes:

- For Outdoor Unit (Condenser) performance only. Data does not include the effects of air handler power or heat.
- Performance based on 15°F subcooling and 15°F superheat at the Outdoor Unit base valves.
 - Increase capacity by 1% for each 2°F increase in subcooling.
 - Decrease capacity by 1% for each 2°F decrease in subcooling.
- Maximum recommended condensing temperature is 140°F.

COOLING PERFORMANCE DATA																	
AIR CONDITIONER MODEL NO.		THE48B(3,4)1S															
AIR TEMP. ENTERING OUTDOOR UNIT (°F)	IDCFM	1400					1600					1800					
		ID DB (°F)	80	80	75	80	80	80	80	75	80	80	80	80	75	80	80
		ID WB (°F)	57	62	62	67	72	57	62	62	67	72	57	62	62	67	72
65	T.C.	44.6	47.8	47.9	52.0	55.4	45.7	48.1	48.2	52.1	55.2	48.2	49.9	49.9	53.7	56.7	
	S.C.	43.1	40.5	34.5	33.6	25.7	44.8	43.1	36.6	35.1	26.6	46.6	45.8	38.7	36.8	27.5	
	KW	2.95	2.98	2.97	2.99	3.01	3.06	3.07	3.06	3.09	3.10	3.12	3.13	3.12	3.14	3.16	
75	T.C.	43.2	45.9	46.2	50.8	56.2	44.4	46.4	46.5	51.1	56.4	47.0	48.2	48.2	53.0	58.3	
	S.C.	41.7	39.7	33.7	33.8	26.5	43.4	42.5	36.0	35.6	27.8	45.2	45.3	38.3	37.5	29.2	
	KW	3.22	3.25	3.23	3.26	3.27	3.32	3.34	3.32	3.36	3.37	3.38	3.40	3.38	3.41	3.43	
85	T.C.	41.5	43.8	44.0	48.5	54.0	42.6	44.3	44.2	48.7	54.2	45.1	46.1	45.8	50.4	56.0	
	S.C.	39.9	38.5	32.7	32.8	25.7	41.5	41.2	34.9	34.8	27.0	43.3	44.0	37.2	36.9	28.4	
	KW	3.57	3.59	3.57	3.60	3.62	3.68	3.69	3.68	3.71	3.72	3.74	3.75	3.73	3.76	3.77	
95	T.C.	39.7	41.7	41.7	46.1	51.8	40.8	42.2	42.0	46.3	51.9	43.2	43.9	43.5	47.8	53.6	
	S.C.	38.1	37.3	31.6	31.8	24.8	39.7	39.9	33.7	34.0	26.2	41.3	42.6	36.0	36.2	27.5	
	KW	3.93	3.93	3.92	3.95	3.96	4.04	4.04	4.03	4.06	4.07	4.09	4.10	4.08	4.11	4.12	
105	T.C.	38.0	39.3	39.2	43.5	48.7	39.0	39.9	39.5	43.6	48.9	41.2	41.7	40.9	45.1	50.5	
	S.C.	36.5	36.4	30.6	31.0	23.9	37.9	38.5	32.8	33.1	25.3	39.5	40.7	35.1	35.3	26.8	
	KW	4.43	4.42	4.42	4.45	4.45	4.54	4.54	4.53	4.55	4.56	4.58	4.59	4.57	4.60	4.61	
115	T.C.	36.3	36.9	36.7	40.9	45.7	37.2	37.6	37.0	41.0	45.8	39.2	39.4	38.3	42.4	47.3	
	S.C.	34.9	35.4	29.6	30.2	23.0	36.2	37.1	31.8	32.3	24.5	37.6	38.9	34.1	34.5	26.0	
	KW	4.93	4.91	4.91	4.94	4.95	5.03	5.03	5.02	5.05	5.06	5.07	5.08	5.06	5.09	5.10	
125	T.C.	34.6	34.5	34.2	38.3	42.6	35.4	35.3	34.5	38.4	42.8	37.2	37.1	35.7	39.6	44.2	
	S.C.	33.3	34.5	28.6	29.4	22.1	34.5	35.7	30.9	31.5	23.6	35.8	37.0	33.2	33.7	25.2	
	KW	5.43	5.40	5.41	5.43	5.44	5.53	5.52	5.51	5.54	5.56	5.56	5.57	5.55	5.58	5.59	

NOTE: ALL CAPACITIES INCLUDE INDOOR FAN HEAT. KW VALUES ARE FOR THE SYSTEM (OUTDOOR + INDOOR).

Green shaded cells are ACCA (TVA) conditions.

Blue shaded cells are AHRI conditions.

Multipliers for determining the performance with other indoor sections.

NOTE: For dry bulb temperatures different than those listed (between 73-87 °F), sensible capacity increases by 1060 BTUH per 1000 CFM per degree above the listed temperature and decreases by 1060 BTUH per 1000 CFM per degree below the listed temperature.

COIL MULTIPLIERS - 4 TON

Air Handler	Coil	T.C.	S.C.	KW
—	CF/CM/CU60C	1.01	0.99	0.98
—	CF/CM/CU60D	1.01	0.99	0.98
AE48CX21	—	0.99	0.99	0.97
AE48DX21	—	1.00	1.00	0.96
AE60CX21	—	1.01	1.01	0.94
AVC48CX21	—	0.99	0.92	0.94
AVC48DX21	—	1.00	0.99	0.96
AVC60CX21	—	1.00	0.91	0.91
ME14DN21	CF/CM48D	1.00	1.00	0.96
ME14DN21	CF/CM60D	1.00	1.00	0.98
ME16CN21	CF/CM48C	0.99	0.99	0.97
ME16CN21	CF/CM60C	1.01	1.01	0.97
ME20DN21	CF/CM48D	1.00	0.99	0.98
ME20DN21	CF/CM60D	1.01	1.01	0.97
ME20DN21	XAHD60G	1.01	1.02	0.93
MVC20DN21	XAF/XAUD60G	1.01	1.00	0.90

FURNACE MULTIPLIERS - 4 TON

Furnaces	Coil	T.C.	S.C.	KW
TL8E080C16UH11	XAF/XAUD60G	0.99	0.99	0.97
TL8E100C20UH11	XAF/XAUD60G	1.01	1.02	0.93
TL8E100C20UH11	XAHD60G	0.99	1.00	0.94
TL9E080C16UH11	XAF/XAUD60G	1.00	1.00	0.96
TL9E100C20UH11	XAF/XAUD60G	1.01	1.02	0.94
TL9E100C20UH11	XAHD60G	0.99	1.00	0.96
TM8E080C16MP11	XAF/XAUD60G	0.99	0.98	0.96
TM8E080C20MP11	XAF/XAUD60G	1.00	1.01	0.93
TM8E080C20MP11	XAHD60G	1.01	1.02	0.94
TM8E100C16MP11	XAF/XAUD60G	0.99	0.98	0.96
TM8E100C20MP11	XAF/XAUD60G	1.01	1.01	0.94
TM8E100C20MP11	XAHD60G	1.00	1.01	0.94
TM8E120C16MP11	XAF/XAUD60G	0.99	0.98	0.96
TM8E120C20MP11	XAF/XAUD60G	1.01	1.01	0.94
TM8E120C20MP11	XAHD60G	1.00	1.02	0.94
TM8E130D20MP11	XAF/XAUD60G	1.01	1.02	0.94
TM8E130D20MP11	XAHD60G	1.00	1.01	0.96
TM8V080C16MP12C	XAF/XAUD60G	1.00	1.00	0.95
TM8V080C16MP12C	XAHD60G	1.00	1.01	0.96
TM8V100C16MP11	CF/CM/CU48C	0.98	0.88	0.94
TM8V100C16MP11	CF/CM/CU48D	0.98	0.87	0.94
TM8V100C16MP11	CF/CM/CU60C	1.00	0.89	0.94
TM8V100C16MP12C	XAF/XAUD60G	1.00	1.00	0.95
TM8V100C16MP12C	XAHD60G	1.00	1.01	0.96
TM8V100C20MP12C	XAF/XAUD60G	1.01	1.01	0.94
TM8V100C20MP12C	XAHD60G	1.01	1.02	0.95
TM8V120C20MP11	CF/CM/CU48C	0.98	0.87	0.94
TM8V120C20MP11	CF/CM/CU60C	1.00	1.00	0.98
TM8V120C20MP11	CF/CM/CU60D	1.00	0.92	0.94
TM8V120C20MP12C	XAF/XAUD60G	1.01	1.01	0.94
TM8V120C20MP12C	XAHD60G	1.01	1.02	0.95
TM8X100C16MP11	CF/CM/CU48C	0.99	0.99	0.99
TM8X100C16MP11	CF/CM/CU48D	0.99	0.99	0.99

FURNACE MULTIPLIERS - 4 TON (Continued)

Furnaces	Coil	T.C.	S.C.	KW
TM8X100C16MP11	CF/CM/CU60C	1.00	1.00	0.98
TM8X100C16MP11	CF/CM/CU60D	1.00	1.00	0.98
TM8X120C20MP11	CF/CM/CU48C	0.99	0.99	0.99
TM8X120C20MP11	CF/CM/CU48D	0.99	0.99	0.99
TM8X120C20MP11	CF/CM/CU60C	1.00	1.00	0.98
TM8X120C20MP11	CF/CM/CU60D	1.00	1.00	0.98
TM8Y080C16MP11	XAF/XAUD60G	0.99	0.99	0.96
TM8Y100C16MP11	CF/CM/CU48C	0.99	0.99	0.99
TM8Y100C16MP11	CF/CM/CU48D	0.99	0.99	0.99
TM8Y100C16MP11	CF/CM/CU60C	1.00	1.00	0.98
TM8Y100C16MP11	CF/CM/CU60D	1.00	1.00	0.98
TM8Y100C16MP11	XAF/XAUD60G	0.99	0.99	0.96
TM8Y100C16MP11	XAF/XAUD60G	0.99	0.99	0.96
TM8Y100C20MP11	XAF/XAUD60G	1.01	1.00	0.95
TM8Y100C20MP11	XAHD60G	1.00	1.01	0.95
TM8Y120C20MP11	CF/CM/CU48C	0.99	0.99	0.99
TM8Y120C20MP11	CF/CM/CU48D	0.99	0.99	0.99
TM8Y120C20MP11	CF/CM/CU60C	1.00	1.00	0.98
TM8Y120C20MP11	CF/CM/CU60D	1.00	1.00	0.98
TM8Y120C20MP11	XAF/XAUD60G	1.01	1.00	0.95
TM8Y120C20MP11	XAHD60G	1.00	1.01	0.95
TM9E080C20MP12	XAF/XAUD60G	1.01	1.02	0.94
TM9E080C20MP12	XAHD60G	1.00	1.02	0.95
TM9E100C16MP11	CF/CM/CU48C	0.98	0.99	0.99
TM9E100C16MP11	CF/CM/CU60C	0.99	0.99	1.00
TM9E100C16MP11	CF/CM/CU60D	0.99	0.99	1.00
TM9E100C20MP11	CF/CM/CU48C	0.99	0.99	0.99
TM9E100C20MP11	CF/CM/CU48D	0.99	0.99	0.99
TM9E100C20MP11	CF/CM/CU60C	1.00	1.00	0.98
TM9E100C20MP11	CF/CM/CU60D	1.00	1.00	0.98
TM9E100C20MP12	XAF/XAUD60G	1.01	1.02	0.93
TM9E100C20MP12	XAHD60G	1.00	1.01	0.94
TM9E120D20MP11	CF/CM/CU48D	0.99	0.99	0.99
TM9E120D20MP11	CF/CM/CU60D	1.01	1.01	0.99
TM9E120D20MP12	XAF/XAUD60G	1.01	1.01	0.94
TM9E120D20MP12	XAHD60G	1.00	1.01	0.94
TM9V100C16MP11	CF/CM/CU48C	0.99	0.98	0.98
TM9V100C16MP11	CF/CM/CU48D	0.99	0.99	0.96
TM9V100C16MP11	CF/CM/CU60C	1.00	0.98	0.99
TM9V100C16MP12C	XAF/XAUD60G	1.00	1.00	0.94
TM9V100C16MP12C	XAHD60G	1.00	1.01	0.95
TM9V100C20MP11	CF/CM/CU48C	0.98	0.98	0.99
TM9V100C20MP11	CF/CM/CU48D	0.98	0.99	0.99
TM9V100C20MP11	CF/CM/CU60C	1.00	0.98	0.99
TM9V100C20MP12C	XAF/XAUD60G	1.00	1.00	0.95
TM9V100C20MP12C	XAHD60G	0.99	1.00	0.96
TM9V120D20MP11	CF/CM/CU60D	1.00	1.00	0.97
TM9V120D20MP12C	XAF/XAUD60G	1.01	1.02	0.94
TM9V120D20MP12C	XAHD60G	1.00	1.01	0.94
TM9Y100C16MP11	CF/CM/CU48C	0.98	0.99	0.99
TM9Y100C16MP11	CF/CM/CU60C	0.99	0.99	1.00
TM9Y100C16MP11	CF/CM/CU60D	0.99	0.99	1.00
TM9Y100C16MP11	XAF/XAUD60G	1.00	1.00	0.96

FURNACE MULTIPLIERS - 4 TON (Continued)

Furnaces	Coil	T.C.	S.C.	KW
TM9Y100C20MP11	CF/CM/CU48C	0.99	0.99	0.99
TM9Y100C20MP11	CF/CM/CU48D	0.99	0.99	0.99
TM9Y100C20MP11	CF/CM/CU60C	1.00	1.00	0.98
TM9Y100C20MP11	CF/CM/CU60D	1.00	1.00	0.98
TM9Y100C20MP11	XAF/XAUD60G	0.99	0.99	0.96
TM9Y120D20MP11	CF/CM/CU48D	0.99	0.99	0.99
TM9Y120D20MP11	CF/CM/CU60D	1.01	1.01	0.99
TM9Y120D20MP11	XAF/XAUD60G	0.99	0.98	0.95
TM9Y120D20MP11	XAHD60G	0.99	1.00	0.95
TMLE080C16MP11	XAF/XAUD60G	0.99	0.98	0.96
TMLE080C20MP11	XAF/XAUD60G	1.00	1.01	0.93
TMLE080C20MP11	XAHD60G	1.01	1.02	0.94
TMLE100C16MP11	XAF/XAUD60G	0.99	0.98	0.96
TMLE100C20MP11	XAF/XAUD60G	1.01	1.01	0.94
TMLE100C20MP11	XAHD60G	1.00	1.01	0.94
TMLE120C16MP11	XAF/XAUD60G	0.99	0.98	0.96
TMLE120C20MP11	XAF/XAUD60G	1.01	1.01	0.94
TMLE120C20MP11	XAHD60G	1.00	1.02	0.94
TMLE130D20MP11	XAF/XAUD60G	1.01	1.02	0.94
TMLE130D20MP11	XAHD60G	1.00	1.01	0.96
TMLV100C16MP11	CF/CM/CU48C	0.98	0.99	0.99
TMLV100C16MP11	CF/CM/CU48D	0.98	0.99	0.99
TMLV100C16MP11	CF/CM/CU60C	1.00	1.00	0.99
TMLV100C16MP12C	XAF/XAUD60G	1.00	1.00	0.95
TMLV100C16MP12C	XAHD60G	1.00	1.01	0.96
TMLV120C20MP11	CF/CM/CU48C	0.98	0.99	0.99
TMLV120C20MP11	CF/CM/CU60C	1.00	1.00	0.98
TMLV120C20MP11	CF/CM/CU60D	1.00	1.02	0.98
TMLV120C20MP12C	XAF/XAUD60G	1.01	1.01	0.94
TMLV120C20MP12C	XAHD60G	1.01	1.02	0.95
TMLX100C16MP11	CF/CM/CU48C	0.99	0.99	0.99
TMLX100C16MP11	CF/CM/CU48D	0.99	0.99	0.99
TMLX100C16MP11	CF/CM/CU60C	1.00	1.00	0.98
TMLX100C16MP11	CF/CM/CU60D	1.00	1.00	0.98
TMLX120C20MP11	CF/CM/CU48C	0.99	0.99	0.99
TMLX120C20MP11	CF/CM/CU48D	0.99	0.99	0.99
TMLX120C20MP11	CF/CM/CU60C	1.00	1.00	0.98
TMLX120C20MP11	CF/CM/CU60D	1.00	1.00	0.98
TP9C100C16MP11	CF/CM/CU48C	0.99	0.98	0.98
TP9C100C16MP11	CF/CM/CU48D	0.99	0.99	0.96
TP9C100C16MP11	CF/CM/CU60C	1.00	0.98	0.99
TP9C100C16MP13C	XAF/XAUD60G	1.00	1.00	0.94
TP9C100C16MP13C	XAHD60G	1.00	1.01	0.95
TP9C100C20MP11	CF/CM/CU48C	0.98	0.98	0.99
TP9C100C20MP11	CF/CM/CU48D	0.98	0.99	0.99
TP9C100C20MP11	CF/CM/CU60C	1.00	0.98	0.99
TP9C100C20MP13C	XAF/XAUD60G	1.00	1.00	0.95
TP9C100C20MP13C	XAHD60G	0.99	1.00	0.96
TP9C120D20MP11	CF/CM/CU60D	1.00	1.00	0.97
TP9C120D20MP13C	XAF/XAUD60G	1.01	1.02	0.94
TP9C120D20MP13C	XAHD60G	1.00	1.01	0.94
TPLC080C16MP13C	XAF/XAUD60G	1.00	1.00	0.95
TPLC080C16MP13C	XAHD60G	1.00	1.01	0.96
TPLC100C16MP11	CF/CM/CU48C	0.98	0.99	0.99
TPLC100C16MP11	CF/CM/CU48D	0.98	0.99	0.99

FURNACE MULTIPLIERS - 4 TON (Continued)

Furnaces	Coil	T.C.	S.C.	KW
TPLC100C16MP11	CF/CM/CU60C	1.00	1.00	0.99
TPLC100C16MP13C	XAF/XAUD60G	1.00	1.00	0.95
TPLC100C16MP13C	XAHD60G	1.00	1.01	0.96
TPLC100C20MP13C	XAF/XAUD60G	1.01	1.01	0.94
TPLC100C20MP13C	XAHD60G	1.01	1.02	0.95
TPLC120C20MP11	CF/CM/CU48C	0.98	0.99	0.99
TPLC120C20MP11	CF/CM/CU60C	1.00	1.00	0.98
TPLC120C20MP11	CF/CM/CU60D	1.00	1.02	0.98
TPLC120C20MP13C	XAF/XAUD60G	1.01	1.01	0.94
TPLC120C20MP13C	XAHD60G	1.01	1.02	0.95
YP9C100C16MP11	CF/CM/CU48C	0.99	0.98	0.98
YP9C100C16MP11	CF/CM/CU48D	0.99	0.99	0.96
YP9C100C16MP11	CF/CM/CU60C	1.00	0.98	0.99
YP9C100C16MP13C	XAF/XAUD60G	1.00	1.00	0.94
YP9C100C16MP13C	XAHD60G	1.00	1.01	0.95
YP9C100C20MP11	CF/CM/CU48C	0.98	0.98	0.99
YP9C100C20MP11	CF/CM/CU48D	0.98	0.99	0.99
YP9C100C20MP11	CF/CM/CU60C	1.00	0.98	0.99
YP9C100C20MP13C	XAF/XAUD60G	1.00	1.00	0.95
YP9C100C20MP13C	XAHD60G	0.99	1.00	0.96
YP9C120D20MP11	CF/CM/CU60D	1.00	1.00	0.97
YP9C120D20MP13C	XAF/XAUD60G	1.01	1.02	0.94
YP9C120D20MP13C	XAHD60G	1.00	1.01	0.94
YPLC080C16MP13C	XAF/XAUD60G	1.00	1.00	0.95
YPLC080C16MP13C	XAHD60G	1.00	1.01	0.96
YPLC100C16MP11	CF/CM/CU48C	0.98	0.99	0.99
YPLC100C16MP11	CF/CM/CU48D	0.98	0.99	0.99
YPLC100C16MP11	CF/CM/CU60C	1.00	1.00	0.99
YPLC100C16MP13C	XAF/XAUD60G	1.00	1.00	0.95
YPLC100C16MP13C	XAHD60G	1.00	1.01	0.96
YPLC100C20MP13C	XAF/XAUD60G	1.01	1.01	0.94
YPLC100C20MP13C	XAHD60G	1.01	1.02	0.95
YPLC120C20MP11	CF/CM/CU48C	0.98	0.99	0.99
YPLC120C20MP11	CF/CM/CU60C	1.00	1.00	0.98
YPLC120C20MP11	CF/CM/CU60D	1.00	1.02	0.98
YPLC120C20MP13C	XAF/XAUD60G	1.01	1.01	0.94
YPLC120C20MP13C	XAHD60G	1.01	1.02	0.95

HEATING PERFORMANCE DATA										
CONDENSING UNIT MODEL NO		THE48B(3,4)1S								
AIR TEMP. ENTERING OUTDOOR UNIT (°F)	AIR TEMP. ENTERING INDOOR COIL (°F)	ID CFM								
		1400			1600			1800		
		MBH	COP	KW	MBH	COP	KW	MBH	COP	KW
60	60	59.2	4.49	3.86	60.0	4.65	3.78	60.9	4.82	3.70
	70	58.2	3.93	4.34	59.0	4.08	4.23	59.7	4.25	4.12
	80	57.2	3.49	4.81	57.9	3.63	4.67	58.6	3.79	4.53
47	60	51.1	4.12	3.63	51.4	4.22	3.57	51.7	4.31	3.51
	70	50.1	3.59	4.08	50.4	3.68	4.01	50.8	3.79	3.93
	80	49.1	3.17	4.54	49.5	3.27	4.44	49.9	3.36	4.35
40	60	45.7	3.86	3.47	46.6	3.96	3.45	47.5	4.06	3.43
	70	45.5	3.37	3.95	46.2	3.47	3.90	46.9	3.57	3.85
	80	45.3	2.99	4.44	45.8	3.08	4.36	46.4	3.18	4.28
30	60	40.0	3.52	3.33	40.5	3.59	3.31	41.1	3.66	3.29
	70	39.5	3.11	3.73	39.9	3.17	3.69	40.2	3.23	3.65
	80	39.1	2.77	4.14	39.2	2.82	4.08	39.3	2.87	4.02
17	60	29.6	2.94	2.95	31.9	3.05	3.06	34.1	3.15	3.17
	70	30.9	2.59	3.50	32.3	2.67	3.54	33.7	2.76	3.58
	80	32.2	2.33	4.04	32.7	2.39	4.01	33.3	2.45	3.98
10	60	30.0	2.85	3.08	29.9	2.85	3.08	29.93	2.85	3.08
	70	29.2	2.52	3.40	29.2	2.53	3.38	29.1	2.53	3.37
	80	28.5	2.25	3.71	28.4	2.26	3.68	28.3	2.27	3.66

NOTE: ALL CAPACITIES INCLUDE INDOOR FAN HEAT. KW VALUES ARE FOR THE SYSTEM (OUTDOOR + INDOOR).

Yellow shaded cells are AHRI High Heating conditions.

Orange shaded cells are AHRI Low Heating conditions.

Multipliers for determining the performance with other indoor sections.**COIL MULTIPLIERS - 4 TON**

Air Handler	Coil	MBH	COP	KW
—	CF/CM/CU60C	0.94	0.96	0.98
—	CF/CM/CU60D	0.94	0.96	0.98
AE48CX21	—	0.95	1.00	0.95
AE48DX21	—	0.95	1.01	0.94
AE60CX21	—	0.95	1.01	0.94
AVC48CX21	—	0.94	0.96	0.98
AVC48DX21	—	0.95	1.00	0.95
AVC60CX21	—	0.94	0.96	0.98
ME14DN21	CF/CM48D	0.95	1.00	0.95
ME14DN21	CF/CM60D	0.96	0.98	0.97
ME16CN21	CF/CM48C	0.95	1.00	0.95
ME16CN21	CF/CM60C	0.95	1.00	0.95
ME20DN21	CF/CM48D	0.95	1.00	0.95
ME20DN21	CF/CM60D	0.95	1.00	0.95
ME20DN21	XAHD60G	0.95	1.04	0.91
MVC20DN21	XAF/XAUD60G	0.94	1.07	0.88

FURNACE MULTIPLIERS - 4 TON

Furnaces	Coil	MBH	COP	KW
TL8E080C16UH11	XAF/XAUD60G	0.96	1.02	0.94
TL8E100C20UH11	XAF/XAUD60G	0.95	1.05	0.90
TL8E100C20UH11	XAHD60G	0.95	1.02	0.93
TL9E080C16UH11	XAF/XAUD60G	0.96	1.03	0.93
TL9E100C20UH11	XAF/XAUD60G	0.95	1.05	0.91
TL9E100C20UH11	XAHD60G	0.95	1.02	0.94
TM8E080C16MP11	XAF/XAUD60G	0.96	1.02	0.94
TM8E080C20MP11	XAF/XAUD60G	0.95	1.04	0.91
TM8E080C20MP11	XAHD60G	0.95	1.04	0.91
TM8E100C16MP11	XAF/XAUD60G	0.96	1.02	0.94
TM8E100C20MP11	XAF/XAUD60G	0.95	1.05	0.90
TM8E100C20MP11	XAHD60G	0.95	1.03	0.92
TM8E120C16MP11	XAF/XAUD60G	0.96	1.02	0.94
TM8E120C20MP11	XAF/XAUD60G	0.95	1.05	0.90
TM8E120C20MP11	XAHD60G	0.94	1.03	0.91
TM8E130D20MP11	XAF/XAUD60G	0.95	1.05	0.90
TM8E130D20MP11	XAHD60G	0.95	1.02	0.93
TM8V080C16MP12C	XAF/XAUD60G	0.96	1.04	0.92
TM8V080C16MP12C	XAHD60G	0.95	1.03	0.92
TM8V100C16MP11	CF/CM/CU48C	0.94	0.94	1.00
TM8V100C16MP11	CF/CM/CU48D	0.94	0.94	1.00
TM8V100C16MP11	CF/CM/CU60C	0.94	0.94	1.00
TM8V100C16MP12C	XAF/XAUD60G	0.96	1.04	0.92
TM8V100C16MP12C	XAHD60G	0.95	1.03	0.92
TM8V100C20MP12C	XAF/XAUD60G	0.95	1.05	0.90
TM8V100C20MP12C	XAHD60G	0.95	1.04	0.91
TM8V120C20MP11	CF/CM/CU48C	0.94	0.94	1.00
TM8V120C20MP11	CF/CM/CU60C	0.96	0.98	0.97
TM8V120C20MP11	CF/CM/CU60D	0.94	0.96	0.98
TM8V120C20MP12C	XAF/XAUD60G	0.95	1.05	0.90
TM8V120C20MP12C	XAHD60G	0.95	1.04	0.91
TM8X100C16MP11	CF/CM/CU48C	0.96	0.98	0.97
TM8X100C16MP11	CF/CM/CU48D	0.96	0.98	0.97
TM8X100C16MP11	CF/CM/CU60C	0.96	0.98	0.97

FURNACE MULTIPLIERS - 4 TON (Continued)

Furnaces	Coil	MBH	COP	KW
TM8X100C16MP11	CF/CM/CU60D	0.96	0.98	0.97
TM8X120C20MP11	CF/CM/CU48C	0.96	0.99	0.97
TM8X120C20MP11	CF/CM/CU48D	0.96	0.99	0.97
TM8X120C20MP11	CF/CM/CU60C	0.95	0.98	0.96
TM8X120C20MP11	CF/CM/CU60D	0.95	0.98	0.96
TM8Y080C16MP11	XAF/XAUD60G	0.96	1.02	0.94
TM8Y100C16MP11	CF/CM/CU48C	0.96	0.98	0.97
TM8Y100C16MP11	CF/CM/CU48D	0.96	0.98	0.97
TM8Y100C16MP11	CF/CM/CU60C	0.96	0.98	0.97
TM8Y100C16MP11	CF/CM/CU60D	0.96	0.98	0.97
TM8Y100C20MP11	XAF/XAUD60G	0.96	1.02	0.94
TM8Y100C20MP11	XAF/XAUD60G	0.95	1.04	0.92
TM8Y100C20MP11	XAHD60G	0.95	1.03	0.93
TM8Y120C20MP11	CF/CM/CU48C	0.96	0.99	0.97
TM8Y120C20MP11	CF/CM/CU48D	0.96	0.99	0.97
TM8Y120C20MP11	CF/CM/CU60C	0.95	0.98	0.96
TM8Y120C20MP11	CF/CM/CU60D	0.95	0.98	0.96
TM8Y120C20MP11	XAF/XAUD60G	0.95	1.04	0.92
TM8Y120C20MP11	XAHD60G	0.95	1.03	0.93
TM9E080C20MP12	XAF/XAUD60G	0.95	1.05	0.91
TM9E080C20MP12	XAHD60G	0.95	1.03	0.92
TM9E100C16MP11	CF/CM/CU48C	0.95	0.98	0.97
TM9E100C16MP11	CF/CM/CU60C	0.95	0.98	0.97
TM9E100C16MP11	CF/CM/CU60D	0.95	0.98	0.97
TM9E100C20MP11	CF/CM/CU48C	0.96	0.98	0.97
TM9E100C20MP11	CF/CM/CU48D	0.96	0.98	0.97
TM9E100C20MP11	CF/CM/CU60C	0.95	0.98	0.96
TM9E100C20MP11	CF/CM/CU60D	0.95	0.98	0.96
TM9E100C20MP12	XAF/XAUD60G	0.95	1.05	0.90
TM9E100C20MP12	XAHD60G	0.95	1.03	0.92
TM9E120D20MP11	CF/CM/CU48D	0.96	0.99	0.97
TM9E120D20MP11	CF/CM/CU60D	0.95	0.99	0.96
TM9E120D20MP12	XAF/XAUD60G	0.95	1.04	0.91
TM9E120D20MP12	XAHD60G	0.95	1.03	0.92
TM9V100C16MP11	CF/CM/CU48C	0.96	0.98	0.98
TM9V100C16MP11	CF/CM/CU48D	0.95	0.99	0.95
TM9V100C16MP11	CF/CM/CU60C	0.96	0.97	0.99
TM9V100C16MP12C	XAF/XAUD60G	0.96	1.04	0.92
TM9V100C16MP12C	XAHD60G	0.95	1.03	0.92
TM9V100C20MP11	CF/CM/CU48C	0.95	0.98	0.98
TM9V100C20MP11	CF/CM/CU48D	0.95	0.99	0.97
TM9V100C20MP11	CF/CM/CU60C	0.96	0.97	0.99
TM9V100C20MP12C	XAF/XAUD60G	0.96	1.04	0.92
TM9V100C20MP12C	XAHD60G	0.95	1.02	0.92
TM9V120D20MP11	CF/CM/CU60D	0.95	0.99	0.96
TM9V120D20MP12C	XAF/XAUD60G	0.95	1.05	0.90
TM9V120D20MP12C	XAHD60G	0.94	1.04	0.90
TM9Y100C16MP11	CF/CM/CU48C	0.95	0.98	0.97
TM9Y100C16MP11	CF/CM/CU60C	0.95	0.98	0.97
TM9Y100C16MP11	CF/CM/CU60D	0.95	0.98	0.97
TM9Y100C16MP11	XAF/XAUD60G	0.96	1.03	0.93
TM9Y100C20MP11	CF/CM/CU48C	0.96	0.98	0.97
TM9Y100C20MP11	CF/CM/CU48D	0.96	0.98	0.97

FURNACE MULTIPLIERS - 4 TON (Continued)

Furnaces	Coil	MBH	COP	KW
TM9Y100C20MP11	CF/CM/CU60C	0.95	0.98	0.96
TM9Y100C20MP11	CF/CM/CU60D	0.95	0.98	0.96
TM9Y100C20MP11	XAF/XAUD60G	0.96	1.02	0.94
TM9Y120D20MP11	CF/CM/CU48D	0.96	0.99	0.97
TM9Y120D20MP11	CF/CM/CU60D	0.95	0.99	0.96
TM9Y120D20MP11	XAF/XAUD60G	0.96	1.03	0.93
TM9Y120D20MP11	XAHD60G	0.95	1.02	0.93
TMLE080C16MP11	XAF/XAUD60G	0.96	1.02	0.94
TMLE080C20MP11	XAF/XAUD60G	0.95	1.04	0.91
TMLE080C20MP11	XAHD60G	0.95	1.04	0.91
TMLE100C16MP11	XAF/XAUD60G	0.96	1.02	0.94
TMLE100C20MP11	XAF/XAUD60G	0.95	1.05	0.90
TMLE100C20MP11	XAHD60G	0.95	1.03	0.92
TMLE120C16MP11	XAF/XAUD60G	0.96	1.02	0.94
TMLE120C20MP11	XAF/XAUD60G	0.95	1.05	0.90
TMLE120C20MP11	XAHD60G	0.94	1.03	0.91
TMLE130D20MP11	XAF/XAUD60G	0.95	1.05	0.90
TMLE130D20MP11	XAHD60G	0.95	1.02	0.93
TMLV100C16MP11	CF/CM/CU48C	0.95	0.98	0.97
TMLV100C16MP11	CF/CM/CU48D	0.95	0.99	0.97
TMLV100C16MP11	CF/CM/CU60C	0.95	0.98	0.97
TMLV100C16MP12C	XAF/XAUD60G	0.96	1.04	0.92
TMLV100C16MP12C	XAHD60G	0.95	1.03	0.92
TMLV120C20MP11	CF/CM/CU48C	0.95	0.99	0.97
TMLV120C20MP11	CF/CM/CU60C	0.96	0.98	0.97
TMLV120C20MP11	CF/CM/CU60D	0.95	1.00	0.95
TMLV120C20MP12C	XAF/XAUD60G	0.95	1.05	0.90
TMLV120C20MP12C	XAHD60G	0.95	1.04	0.91
TMLX100C16MP11	CF/CM/CU48C	0.96	0.98	0.97
TMLX100C16MP11	CF/CM/CU48D	0.96	0.98	0.97
TMLX100C16MP11	CF/CM/CU60C	0.96	0.98	0.97
TMLX100C16MP11	CF/CM/CU60D	0.96	0.98	0.97
TMLX120C20MP11	CF/CM/CU48C	0.96	0.99	0.97
TMLX120C20MP11	CF/CM/CU48D	0.96	0.99	0.97
TMLX120C20MP11	CF/CM/CU60C	0.95	0.98	0.96
TMLX120C20MP11	CF/CM/CU60D	0.95	0.98	0.96
TP9C100C16MP11	CF/CM/CU48C	0.96	0.98	0.98
TP9C100C16MP11	CF/CM/CU48D	0.95	0.99	0.95
TP9C100C16MP11	CF/CM/CU60C	0.96	0.97	0.99
TP9C100C16MP13C	XAF/XAUD60G	0.96	1.04	0.92
TP9C100C16MP13C	XAHD60G	0.95	1.03	0.92
TP9C100C20MP11	CF/CM/CU48C	0.95	0.98	0.98
TP9C100C20MP11	CF/CM/CU48D	0.95	0.99	0.97
TP9C100C20MP11	CF/CM/CU60C	0.96	0.97	0.99
TP9C100C20MP13C	XAF/XAUD60G	0.96	1.04	0.92
TP9C100C20MP13C	XAHD60G	0.95	1.02	0.92
TP9C100C20MP13C	XAHD60G	0.95	1.02	0.92

FURNACE MULTIPLIERS - 4 TON (Continued)

Furnaces	Coil	MBH	COP	KW
TP9C120D20MP11	CF/CM/CU60D	0.95	0.99	0.96
TP9C120D20MP13C	XAF/XAUD60G	0.95	1.05	0.90
TP9C120D20MP13C	XAHD60G	0.94	1.04	0.90
TPLC080C16MP13C	XAF/XAUD60G	0.96	1.04	0.92
TPLC080C16MP13C	XAHD60G	0.95	1.03	0.92
TPLC100C16MP11	CF/CM/CU48C	0.95	0.98	0.97
TPLC100C16MP11	CF/CM/CU48D	0.95	0.99	0.97
TPLC100C16MP11	CF/CM/CU60C	0.95	0.98	0.97
TPLC100C16MP13C	XAF/XAUD60G	0.96	1.04	0.92
TPLC100C16MP13C	XAHD60G	0.95	1.03	0.92
TPLC100C20MP13C	XAF/XAUD60G	0.95	1.05	0.90
TPLC100C20MP13C	XAHD60G	0.95	1.04	0.91
TPLC120C20MP11	CF/CM/CU48C	0.95	0.99	0.97
TPLC120C20MP11	CF/CM/CU60C	0.96	0.98	0.97
TPLC120C20MP11	CF/CM/CU60D	0.95	1.00	0.95
TPLC120C20MP13C	XAF/XAUD60G	0.95	1.05	0.90
TPLC120C20MP13C	XAHD60G	0.95	1.04	0.91
YP9C100C16MP11	CF/CM/CU48C	0.96	0.98	0.98
YP9C100C16MP11	CF/CM/CU48D	0.95	0.99	0.95
YP9C100C16MP11	CF/CM/CU60C	0.96	0.97	0.99
YP9C100C16MP13C	XAF/XAUD60G	0.96	1.04	0.92
YP9C100C16MP13C	XAHD60G	0.95	1.03	0.92
YP9C100C20MP11	CF/CM/CU48C	0.95	0.98	0.98
YP9C100C20MP11	CF/CM/CU48D	0.95	0.99	0.97
YP9C100C20MP11	CF/CM/CU60C	0.96	0.97	0.99
YP9C100C20MP13C	XAF/XAUD60G	0.96	1.04	0.92
YP9C100C20MP13C	XAHD60G	0.95	1.02	0.92
YP9C120D20MP11	CF/CM/CU60D	0.95	0.99	0.96
YP9C120D20MP13C	XAF/XAUD60G	0.95	1.05	0.90
YP9C120D20MP13C	XAHD60G	0.94	1.04	0.90
YPLC080C16MP13C	XAF/XAUD60G	0.96	1.04	0.92
YPLC080C16MP13C	XAHD60G	0.95	1.03	0.92
YPLC100C16MP11	CF/CM/CU48C	0.95	0.98	0.97
YPLC100C16MP11	CF/CM/CU48D	0.95	0.99	0.97
YPLC100C16MP11	CF/CM/CU60C	0.95	0.98	0.97
YPLC100C16MP13C	XAF/XAUD60G	0.96	1.04	0.92
YPLC100C16MP13C	XAHD60G	0.95	1.03	0.92
YPLC100C20MP13C	XAF/XAUD60G	0.95	1.05	0.90
YPLC100C20MP13C	XAHD60G	0.95	1.04	0.91
YPLC120C20MP11	CF/CM/CU48C	0.95	0.99	0.97
YPLC120C20MP11	CF/CM/CU60C	0.96	0.98	0.97
YPLC120C20MP11	CF/CM/CU60D	0.95	1.00	0.95
YPLC120C20MP13C	XAF/XAUD60G	0.95	1.05	0.90
YPLC120C20MP13C	XAHD60G	0.95	1.04	0.91

PERFORMANCE DATA - 5 TON

CONDENSER-ONLY DATA (OUTDOOR UNIT)																
MODEL	SATURATED SUCTION AT COMPRESSOR		Outdoor Ambient Temperature													
			65 °F		75 °F		85 °F		95 °F		105 °F		115 °F		125 °F	
	T (°F)	P (PSIG)	MBH	KW	MBH	KW	MBH	KW	MBH	KW	MBH	KW	MBH	KW	MBH	KW
THE60B(3,4)1S	35	107	54.6	3.17	52.1	3.55	49.6	3.93	47.1	4.32	44.6	4.70	42.2	5.08	39.7	5.46
	40	119	61.4	3.67	58.0	4.03	54.7	4.39	51.3	4.75	47.9	5.10	44.6	5.46	41.2	5.82
	45	130	68.2	4.18	64.0	4.51	59.7	4.84	55.5	5.18	51.2	5.51	47.0	5.84	42.7	6.17
	50	143	75.0	4.69	69.9	4.99	64.7	5.30	59.6	5.60	54.5	5.91	49.4	6.22	44.2	6.52
	55	156	81.8	5.19	75.8	5.47	69.8	5.75	63.8	6.03	57.8	6.31	51.8	6.60	45.8	6.88

Notes:

- For Outdoor Unit (Condenser) performance only. Data does not include the effects of air handler power or heat.
- Performance based on 15°F subcooling and 15°F superheat at the Outdoor Unit base valves.
 - Increase capacity by 1% for each 2°F increase in subcooling.
 - Decrease capacity by 1% for each 2°F decrease in subcooling.
- Maximum recommended condensing temperature is 140°F.

COOLING PERFORMANCE DATA																	
AIR CONDITIONER MODEL NO.		THE60B(3,4)1S															
AIR TEMP. ENTERING OUTDOOR UNIT (°F)	IDCFM	1600					1850					2100					
	ID DB (°F)	80	80	75	80	80	80	80	75	80	80	80	80	80	75	80	80
	ID WB (°F)	57	62	62	67	72	57	62	62	67	72	57	62	62	67	72	
65	T.C.	54.3	57.6	57.5	61.2	64.3	55.4	57.6	57.5	60.7	63.3	56.4	57.7	57.5	60.1	62.3	
	S.C.	53.2	47.6	40.9	39.0	30.1	56.0	50.7	43.5	40.8	30.9	58.9	53.8	46.1	42.5	31.7	
	KW	3.45	3.49	3.47	3.51	3.50	3.55	3.59	3.57	3.60	3.59	3.65	3.69	3.67	3.69	3.68	
75	T.C.	52.8	55.8	55.7	60.6	65.5	54.2	56.0	55.9	60.5	64.9	55.7	56.2	56.1	60.4	64.4	
	S.C.	51.8	47.4	40.4	39.6	31.0	54.5	51.1	43.3	42.1	32.3	57.1	54.7	46.2	44.5	33.7	
	KW	3.74	3.81	3.77	3.82	3.81	3.84	3.91	3.87	3.92	3.91	3.94	4.01	3.97	4.02	4.01	
85	T.C.	50.6	53.1	53.1	57.7	63.1	52.1	53.3	53.1	57.6	62.7	53.5	53.5	53.2	57.5	62.3	
	S.C.	49.8	46.3	39.1	38.6	30.2	52.3	49.9	41.9	41.2	31.7	54.7	53.6	44.7	43.8	33.1	
	KW	4.17	4.22	4.19	4.24	4.23	4.27	4.32	4.29	4.33	4.33	4.37	4.42	4.39	4.42	4.43	
95	T.C.	48.5	50.5	50.4	54.8	60.7	49.9	50.7	50.3	54.7	60.5	51.2	50.8	50.2	54.6	60.3	
	S.C.	47.7	45.1	37.8	37.6	29.5	50.1	48.8	40.5	40.3	31.0	52.4	52.5	43.1	43.0	32.6	
	KW	4.59	4.63	4.61	4.66	4.65	4.69	4.73	4.70	4.75	4.74	4.79	4.83	4.79	4.84	4.83	
105	T.C.	46.0	47.3	47.2	51.3	56.9	47.2	47.4	47.0	51.1	56.5	48.4	47.4	46.9	50.9	56.2	
	S.C.	45.3	43.6	36.5	36.3	28.2	47.4	47.0	39.2	38.9	29.7	49.5	50.4	41.8	41.6	31.3	
	KW	5.17	5.20	5.17	5.22	5.22	5.26	5.29	5.27	5.32	5.32	5.35	5.38	5.37	5.42	5.42	
115	T.C.	43.6	44.1	44.0	47.9	53.1	44.6	44.1	43.8	47.6	52.6	45.6	44.0	43.6	47.3	52.2	
	S.C.	42.9	42.0	35.2	34.9	26.9	44.8	45.2	37.8	37.6	28.4	46.7	48.3	40.5	40.2	30.0	
	KW	5.74	5.76	5.74	5.79	5.80	5.83	5.85	5.83	5.88	5.89	5.92	5.94	5.92	5.97	5.98	
125	T.C.	41.1	41.0	40.8	44.4	49.3	41.9	40.7	40.5	44.0	48.7	42.8	40.5	40.2	43.7	48.1	
	S.C.	40.4	40.5	33.9	33.6	25.5	42.1	43.3	36.5	36.2	27.1	43.8	46.2	39.1	38.8	28.7	
	KW	6.31	6.32	6.31	6.36	6.37	6.40	6.42	6.40	6.45	6.47	6.49	6.52	6.49	6.54	6.57	

NOTE: ALL CAPACITIES INCLUDE INDOOR FAN HEAT. KW VALUES ARE FOR THE SYSTEM (OUTDOOR + INDOOR).

Green shaded cells are ACCA (TVA) conditions.

Blue shaded cells are AHRI conditions.

Multipliers for determining the performance with other indoor sections.

NOTE: For dry bulb temperatures different than those listed (between 73-87 °F), sensible capacity increases by 1060 BTUH per 1000 CFM per degree above the listed temperature and decreases by 1060 BTUH per 1000 CFM per degree below the listed temperature.

COIL MULTIPLIERS - 5 TON

Air Handler	Coil	T.C.	S.C.	KW
AE60DX21	—	1.03	1.02	0.96
AVC60DX21	—	1.03	1.02	0.96
ME20DN21	CF/CM64D	1.02	1.02	0.99
ME20DN21	XAFD60J	1.03	1.08	0.96
ME20DN21	XAHD60J	1.05	1.06	0.97
MVC20DN21	CF/CM64D	1.03	1.03	1.00
MVC20DN21	XAFD60J	1.03	1.07	0.96
MVC20DN21	XAHD60J	1.05	1.05	0.98

FURNACE MULTIPLIERS - 5 TON

Furnaces	Coil	T.C.	S.C.	KW
TM8V100C20MP11	CF/CM64D	1.03	1.01	0.99
TM8V120C20MP11	CF/CM64D	1.03	1.01	0.99
TM8X080C16MP11	CF/CM64D	1.02	1.02	0.99
TM8X100C16MP11	CF/CM64D	1.02	1.02	0.99
TM8X100C20MP11	CF/CM64D	1.03	1.02	0.99
TM8X120C20MP11	CF/CM64D	1.03	1.02	0.99
TM8Y080C16MP11	CF/CM64D	1.02	1.02	0.99
TM8Y100C16MP11	CF/CM64D	1.02	1.02	0.99
TM8Y100C20MP11	CF/CM64D	1.03	1.02	0.99

FURNACE MULTIPLIERS - 5 TON (Continued)

Furnaces	Coil	T.C.	S.C.	KW
TM8Y120C20MP11	CF/CM64D	1.03	1.02	0.99
TM9E100C20MP11	CF/CM64D	1.02	1.02	0.99
TM9E120D20MP11	CF/CM64D	1.03	1.02	1.00
TM9V120D20MP11	CF/CM64D	1.02	1.01	0.98
TM9Y100C20MP11	CF/CM64D	1.02	1.02	0.99
TM9Y120D20MP11	CF/CM64D	1.03	1.02	1.00
TMLV100C20MP11	CF/CM64D	1.03	1.01	0.99
TMLV120C20MP11	CF/CM64D	1.03	1.01	0.99
TMLX080C16MP11	CF/CM64D	1.02	1.02	0.99
TMLX100C16MP11	CF/CM64D	1.02	1.02	0.99
TMLX100C20MP11	CF/CM64D	1.03	1.02	0.99
TMLX120C20MP11	CF/CM64D	1.03	1.02	0.99
TP9C120D20MP11	CF/CM64D	1.02	1.01	0.98
TPLC100C20MP11	CF/CM64D	1.03	1.01	0.99
TPLC120C20MP11	CF/CM64D	1.03	1.01	0.99
YP9C120D20MP11	CF/CM64D	1.02	1.01	0.98
YPLC100C20MP11	CF/CM64D	1.03	1.01	0.99
YPLC120C20MP11	CF/CM64D	1.03	1.01	0.99

HEATING PERFORMANCE DATA										
CONDENSING UNIT MODEL NO		THE60B(3,4)1S								
AIR TEMP. ENTERING OUTDOOR UNIT (°F)	AIR TEMP. ENTERING INDOOR COIL (°F)	ID CFM								
		1600			1850			2100		
		MBH	COP	KW	MBH	COP	KW	MBH	COP	KW
60	60	70.3	4.89	4.21	71.2	5.14	4.06	72.2	5.39	3.91
	70	68.7	4.32	4.66	69.6	4.54	4.49	70.5	4.76	4.32
	80	67.1	3.85	5.11	68.0	4.06	4.91	68.8	4.26	4.71
47	60	60.5	4.46	3.97	61.3	4.66	3.86	62.2	4.85	3.75
	70	59.2	3.94	4.40	60.1	4.12	4.27	61.0	4.30	4.14
	80	57.9	3.52	4.82	58.8	3.68	4.68	59.8	3.85	4.54
40	60	55.1	4.19	3.85	55.8	4.34	3.76	56.5	4.50	3.67
	70	54.1	3.71	4.27	54.8	3.85	4.17	55.5	3.99	4.07
	80	53.1	3.32	4.69	53.9	3.45	4.58	54.6	3.57	4.47
30	60	48.0	3.79	3.71	48.2	3.88	3.64	48.4	3.97	3.57
	70	46.8	3.35	4.10	46.6	3.40	4.02	46.5	3.45	3.94
	80	45.6	2.98	4.49	45.1	3.01	4.39	44.5	3.04	4.29
17	60	40.2	3.33	3.54	40.8	3.39	3.52	41.3	3.46	3.50
	70	39.3	2.95	3.91	40.1	3.02	3.89	40.9	3.10	3.87
	80	38.5	2.64	4.27	39.5	2.72	4.26	40.5	2.79	4.25
10	60	35.9	3.06	3.44	36.3	3.10	3.43	36.74	3.15	3.42
	70	35.2	2.71	3.80	35.6	2.76	3.78	36.1	2.81	3.76
	80	34.4	2.42	4.16	34.9	2.48	4.13	35.4	2.53	4.10

NOTE: ALL CAPACITIES INCLUDE INDOOR FAN HEAT. KW VALUES ARE FOR THE SYSTEM (OUTDOOR + INDOOR).

Yellow shaded cells are AHRI High Heating conditions.

Orange shaded cells are AHRI Low Heating conditions.

Multipliers for determining the performance with other indoor sections.

COIL MULTIPLIERS - 5 TON

Air Handler	Coil	T.C.	S.C.	KW
AE60DX21	—	0.97	0.98	0.99
AVC60DX21	—	0.97	0.98	0.99
ME20DN21	CF/CM64D	0.97	0.98	0.99
ME20DN21	XAFD60J	0.98	0.95	1.03
ME20DN21	XAHD60J	0.97	0.94	1.02
MVC20DN21	CF/CM64D	0.97	0.99	0.98
MVC20DN21	XAFD60J	0.98	0.92	1.06
MVC20DN21	XAHD60J	0.96	0.92	1.05

FURNACE MULTIPLIERS - 5 TON

Furnaces	Coil	T.C.	S.C.	KW
TM8V100C20MP11	CF/CM64D	0.97	0.97	1.00
TM8V120C20MP11	CF/CM64D	0.97	0.97	1.00
TM8X080C16MP11	CF/CM64D	0.98	0.97	1.00
TM8X100C16MP11	CF/CM64D	0.98	0.97	1.00
TM8X100C20MP11	CF/CM64D	0.97	0.98	0.99
TM8X120C20MP11	CF/CM64D	0.97	0.98	0.99
TM8Y080C16MP11	CF/CM64D	0.98	0.97	1.00
TM8Y100C16MP11	CF/CM64D	0.98	0.97	1.00

FURNACE MULTIPLIERS - 5 TON (Continued)

Furnaces	Coil	T.C.	S.C.	KW
TM8Y100C20MP11	CF/CM64D	0.97	0.98	0.99
TM8Y120C20MP11	CF/CM64D	0.97	0.98	0.99
TM9E100C20MP11	CF/CM64D	0.98	0.98	1.00
TM9E120D20MP11	CF/CM64D	0.98	0.98	0.99
TM9V120D20MP11	CF/CM64D	0.98	0.98	1.00
TM9Y100C20MP11	CF/CM64D	0.98	0.98	1.00
TM9Y120D20MP11	CF/CM64D	0.98	0.98	0.99
TMLV100C20MP11	CF/CM64D	0.97	0.97	1.00
TMLV120C20MP11	CF/CM64D	0.97	0.97	1.00
TMLX080C16MP11	CF/CM64D	0.98	0.97	1.00
TMLX100C16MP11	CF/CM64D	0.98	0.97	1.00
TMLX100C20MP11	CF/CM64D	0.97	0.98	0.99
TMLX120C20MP11	CF/CM64D	0.97	0.98	0.99
TP9C120D20MP11	CF/CM64D	0.98	0.98	1.00
TPLC100C20MP11	CF/CM64D	0.97	0.97	1.00
TPLC120C20MP11	CF/CM64D	0.97	0.97	1.00
YP9C120D20MP11	CF/CM64D	0.98	0.98	1.00
YPLC100C20MP11	CF/CM64D	0.97	0.97	1.00
YPLC120C20MP11	CF/CM64D	0.97	0.97	1.00